



US00D768518S

(12) **United States Design Patent** (10) **Patent No.:** **US D768,518 S**
Shamir et al. (45) **Date of Patent:** **** Oct. 11, 2016**

(54) **SELF-POWERED POWER SENSOR PCB AND BOBBIN MOUNT THEREOF**

Primary Examiner — George D Kirschbaum
(74) *Attorney, Agent, or Firm* — Blakely Sokoloff Taylor & Zafman LLP

(71) Applicant: **Panoramic Power Ltd.**, Kfar Saba (IL)

(72) Inventors: **Adi Shamir**, Kidron (IL); **Dan Wijsboom**, Ganei Tikva (IL)

(57) **CLAIM**
We claim the ornamental design for a self-powered power sensor PCB and bobbin mount thereof, as shown and described.

(73) Assignee: **Panoramic Power Ltd.**, Kfar Saba (IL)

(**) Term: **15 Years**

DESCRIPTION

(21) Appl. No.: **29/558,950**

(22) Filed: **Mar. 23, 2016**

Related U.S. Application Data

(62) Division of application No. 29/464,875, filed on Aug. 21, 2013, now Pat. No. Des. 754,553.

(51) **LOC (10) Cl.** **10-05**

(52) **U.S. Cl.**
USPC **D10/75**

(58) **Field of Classification Search**
USPC D10/104.1, 97, 70, 106.6, 75, 79
CPC H04R 5/0335; H04R 1/1008; G09B 5/04;
A61B 5/00

See application file for complete search history.

FIG. 1 is a front side isometric top view of an embodiment of a self-powered sensor assembly showing our new design. FIG. 2 is a front side isometric bottom view thereof. FIG. 3 is a right side isometric top view thereof. FIG. 4 is a right side elevation view thereof. FIG. 5 is a left side elevation view thereof. FIG. 6 is a front side elevation view thereof. FIG. 7 is a rear side elevation view thereof. FIG. 8 is a bottom side elevation view thereof. FIG. 9 is a top side elevation view thereof. FIG. 10 is a front side isometric top view of a bobbin mount respective of the embodiment of FIGS. 1 through 9. FIG. 11 is a rear side isometric bottom view thereof. FIG. 12 is a front side elevation view thereof. FIG. 13 is a rear side elevation view thereof. FIG. 14 is a right side elevation view thereof. FIG. 15 is a left side elevation view thereof. FIG. 16 is a top side elevation view thereof. FIG. 17 is a bottom side elevation view thereof. FIG. 18 is a left side isometric view of a part of bobbin mount respective of the embodiment of FIGS. 10 through 17. FIG. 19 is a front side isometric top view thereof. FIG. 20 is a right side elevation view thereof. FIG. 21 is a left side elevation view thereof. FIG. 22 is a rear side elevation view thereof. FIG. 23 is a front side elevation view thereof. FIG. 24 is a bottom side elevation view thereof; and, FIG. 25 is a top side elevation view thereof.

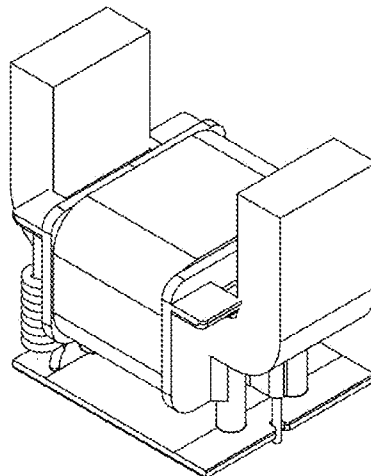
(56) **References Cited**

U.S. PATENT DOCUMENTS

| | | | |
|----------------|---------|-------------|------------------------|
| D309,893 S | 8/1990 | Endo et al. | |
| D311,381 S | 10/1990 | Endo et al. | |
| D401,171 S * | 11/1998 | Cattaneo | D10/75 |
| 6,531,862 B1 * | 3/2003 | Stanley | G01R 15/183 324/114 |
| D489,278 S | 5/2004 | Rittmann | |
| D494,078 S | 8/2004 | Vuillermoz | |
| D496,872 S | 10/2004 | Edmond | |
| D505,870 S | 6/2005 | Vuillermoz | |
| D506,153 S | 6/2005 | Morel | |
| D510,881 S | 10/2005 | Morel | |
| D511,112 S | 11/2005 | Takada | |

(Continued)

1 Claim, 13 Drawing Sheets



(56)

References Cited

U.S. PATENT DOCUMENTS

7,253,602 B2 8/2007 Shvach et al.
7,453,267 B2 11/2008 Westbrook, Jr. et al.
D600,576 S 9/2009 Marcoz
D607,763 S 1/2010 Morel

D656,426 S 3/2012 Marcoz
D656,850 S 4/2012 Marcoz
8,212,549 B2 7/2012 McNulty et al.
8,928,308 B2 1/2015 Mitsuya
2007/0136010 A1 6/2007 Gunn et al.

* cited by examiner

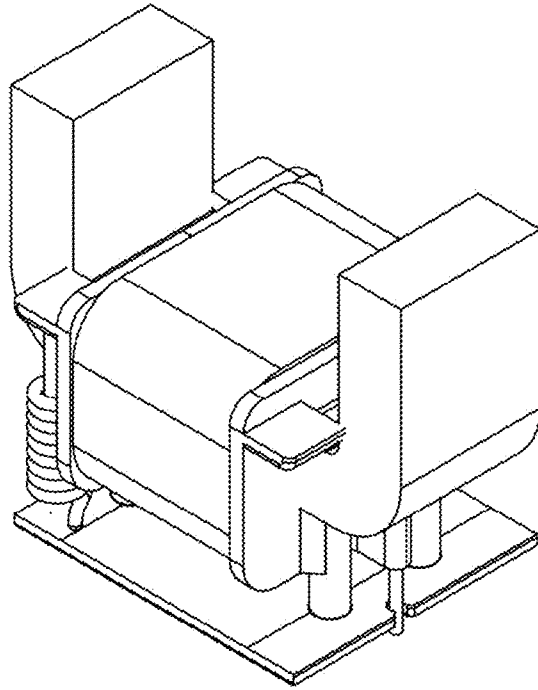


FIGURE 1

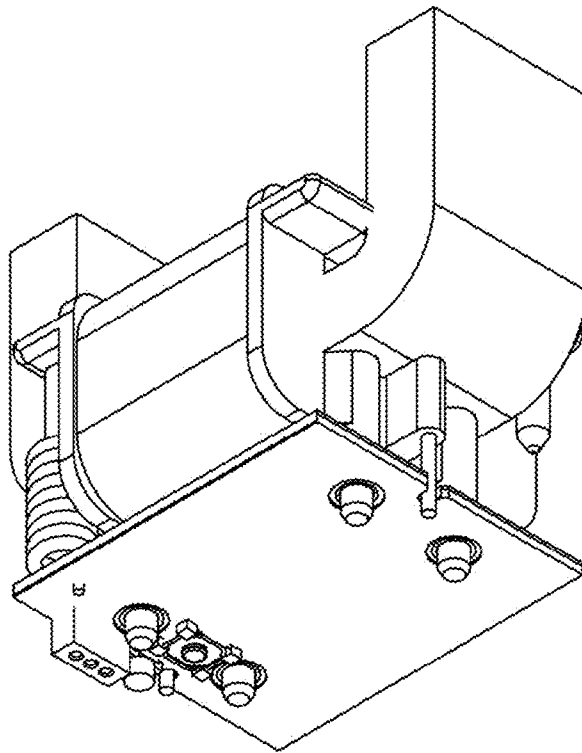


FIGURE 2

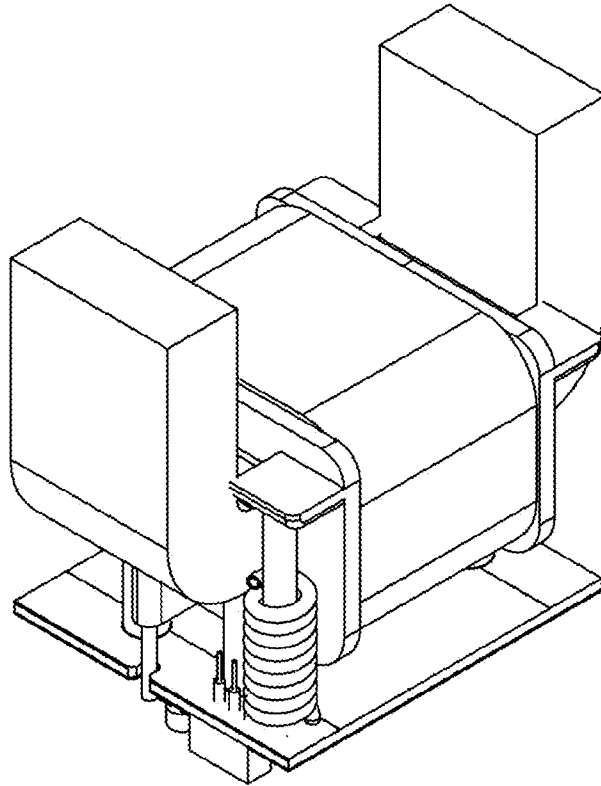


FIGURE 3

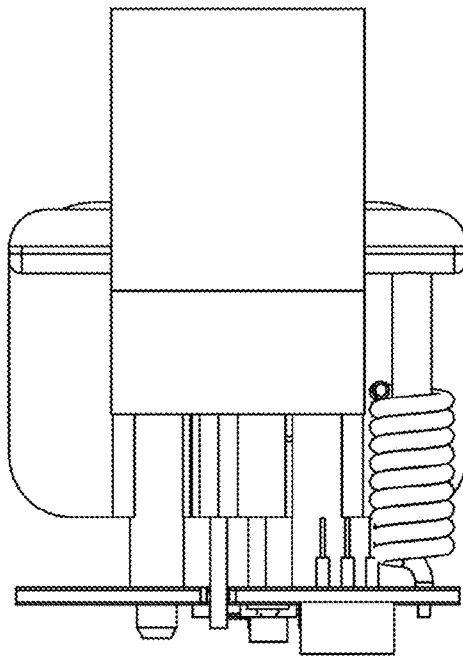


FIGURE 4

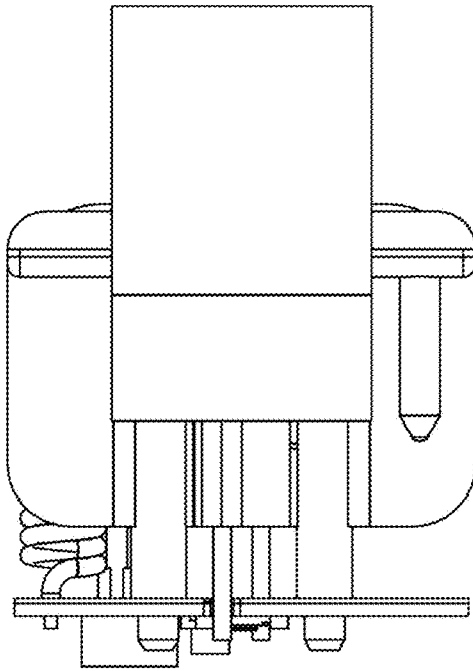


FIGURE 5

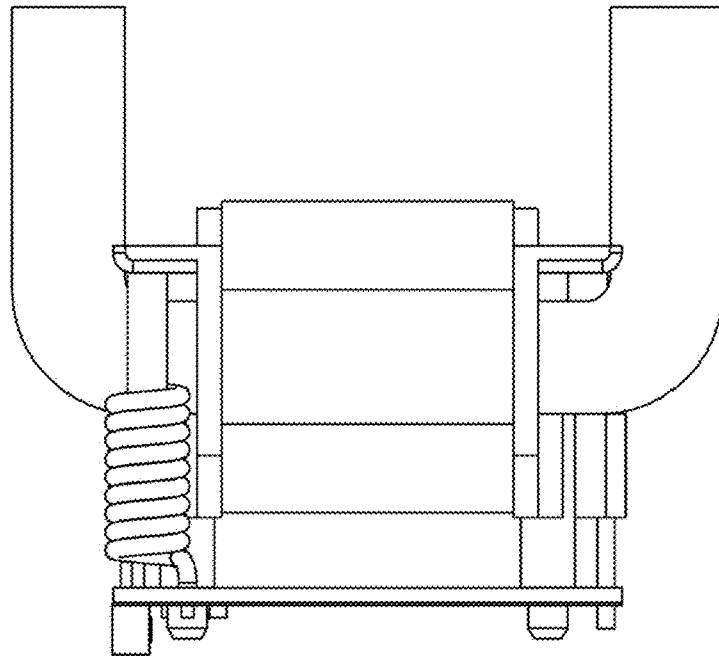


FIGURE 6

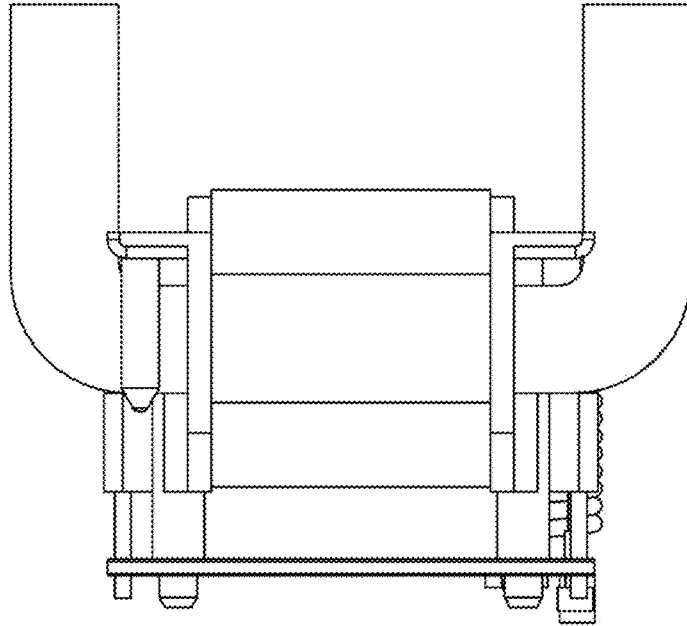


FIGURE 7

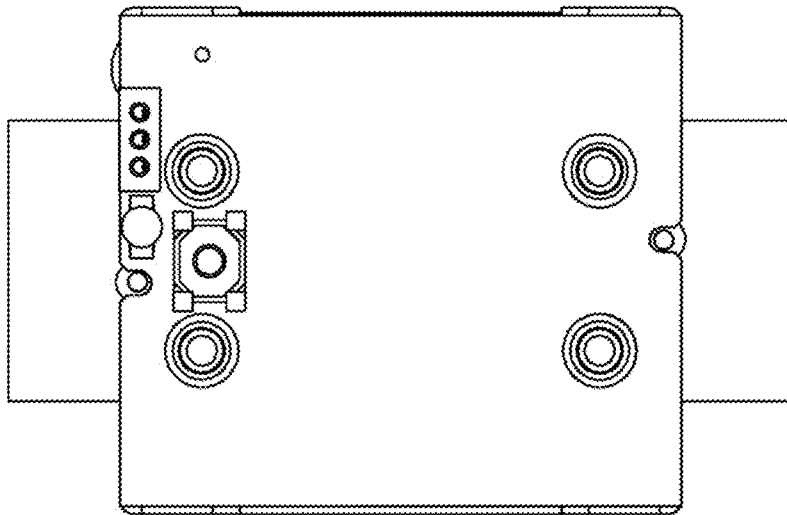


FIGURE 8

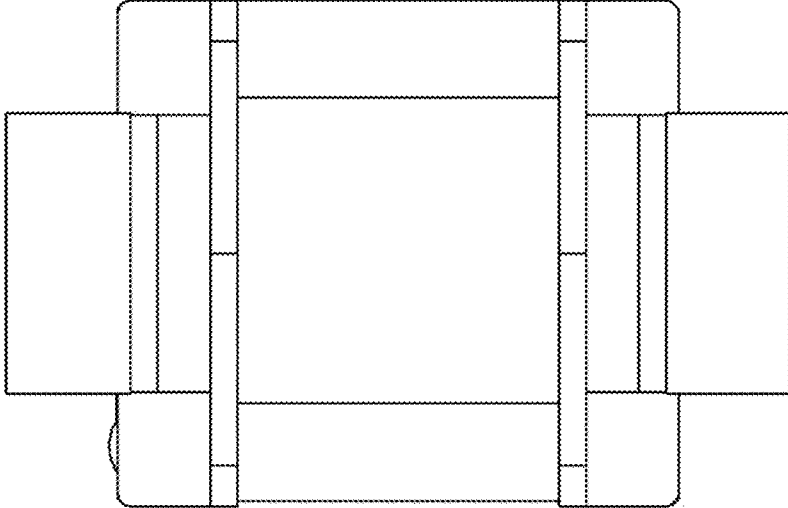


FIGURE 9

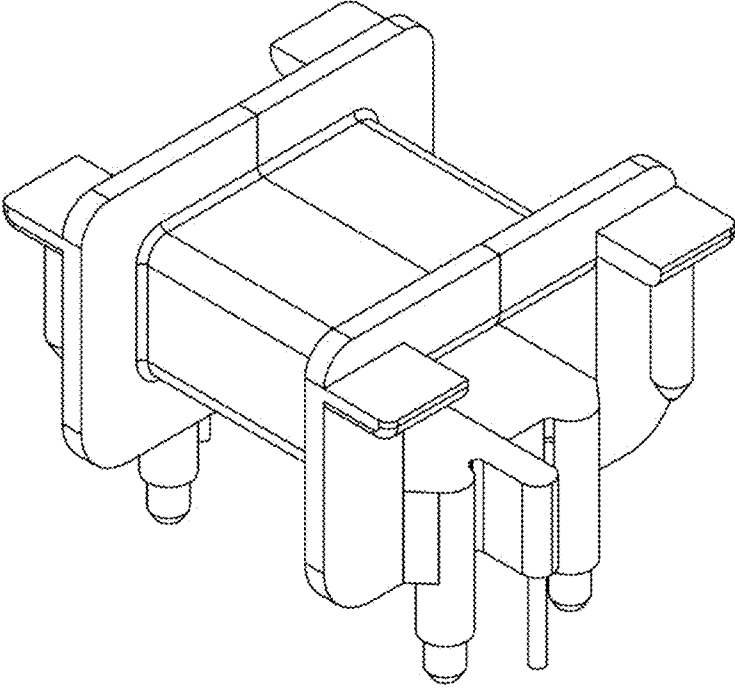


FIGURE 10

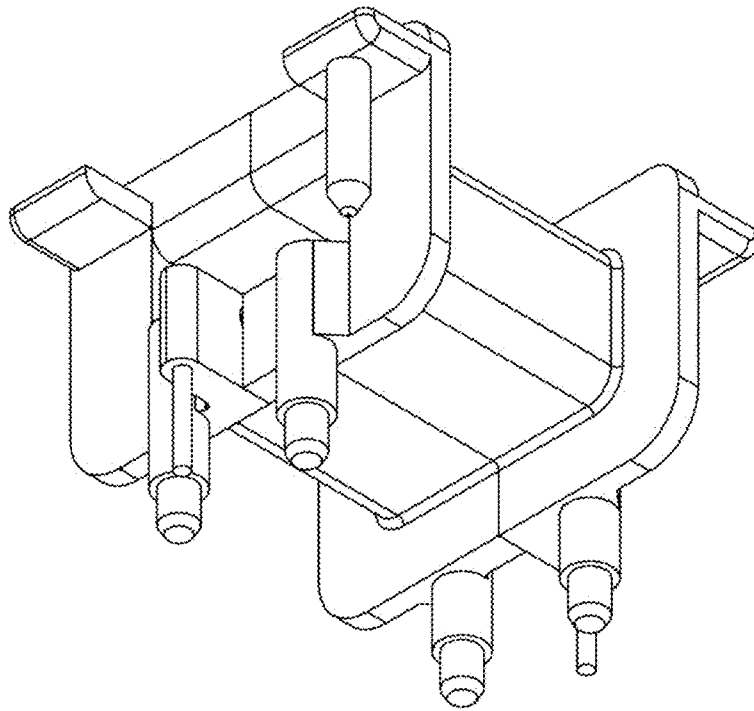


FIGURE 11

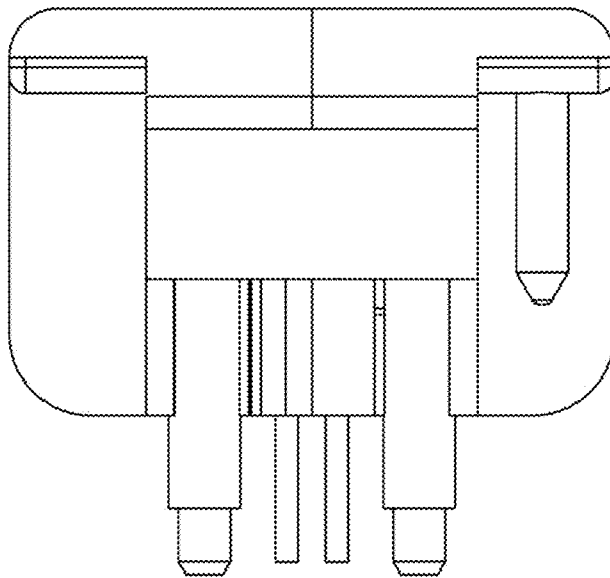


FIGURE 12

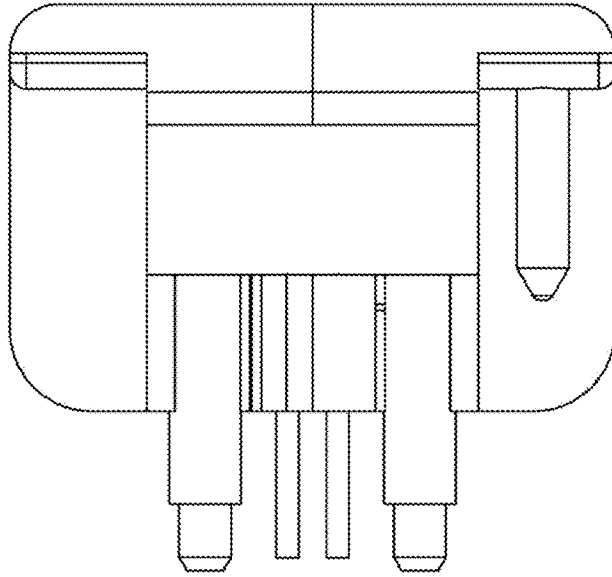


FIGURE 13

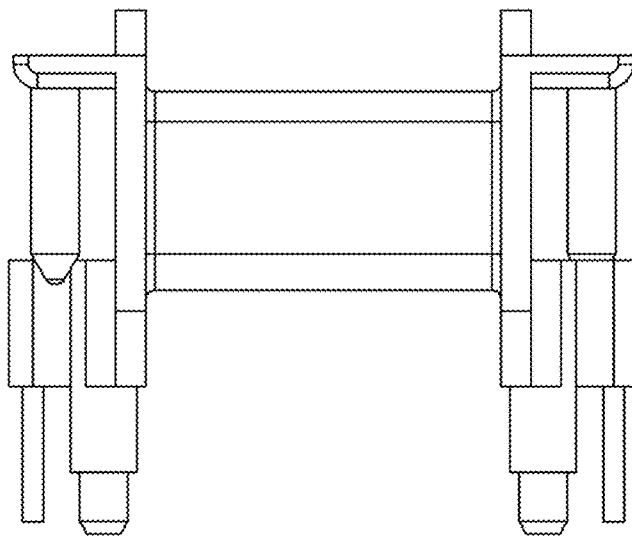


FIGURE 14

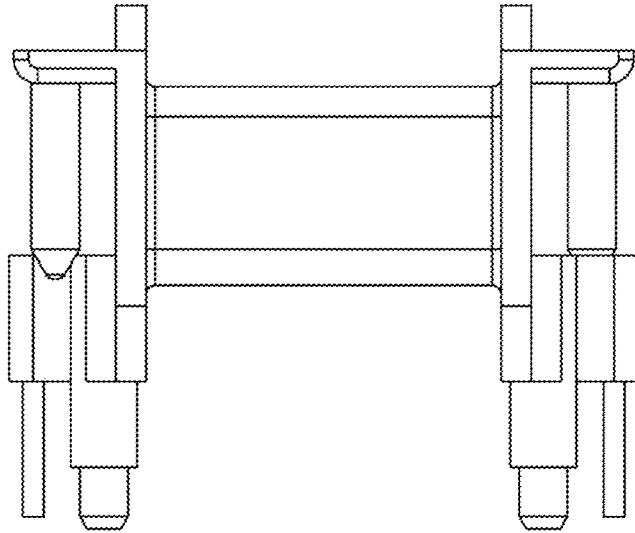


FIGURE 15

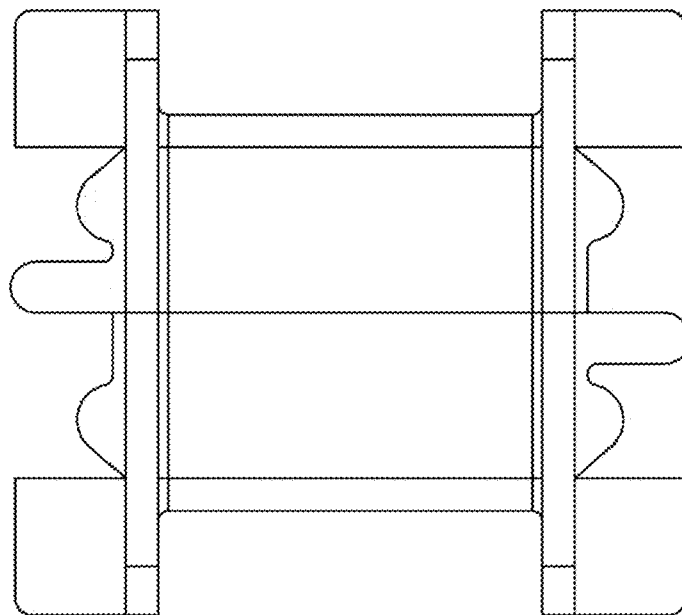


FIGURE 16

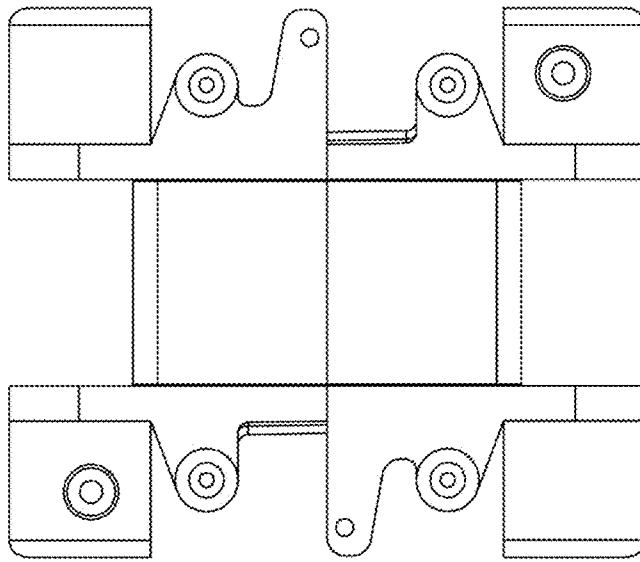


FIGURE 17

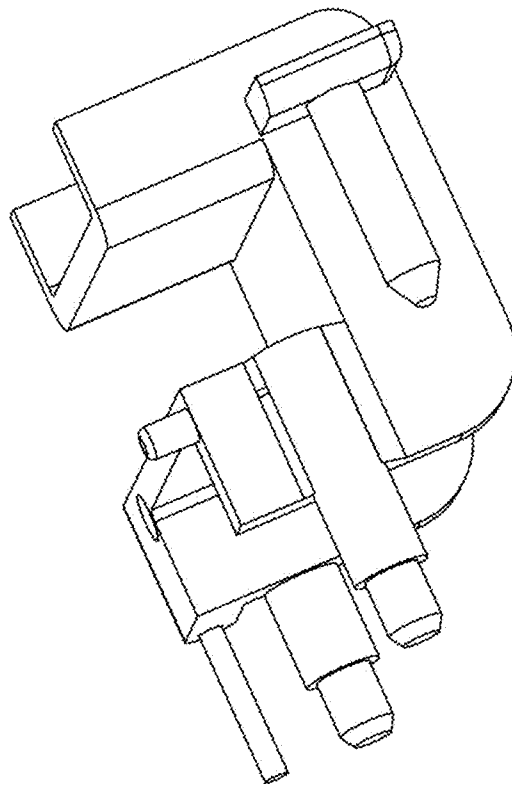


FIGURE 18

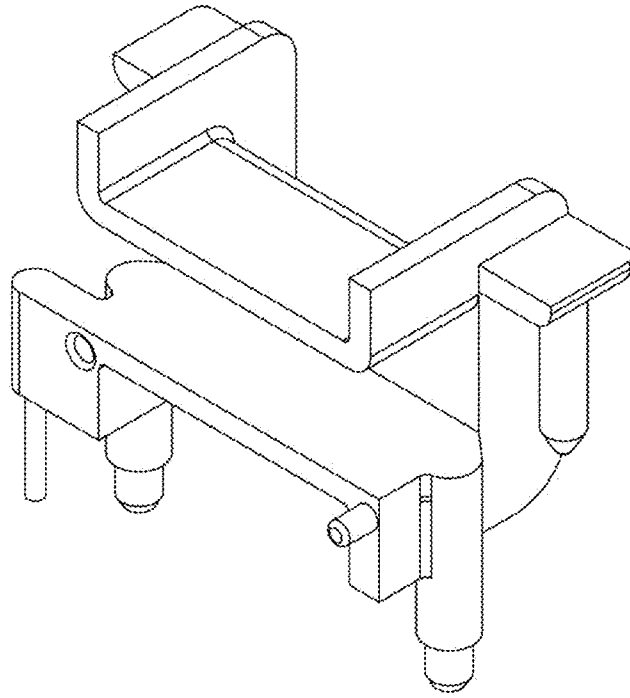


FIGURE 19

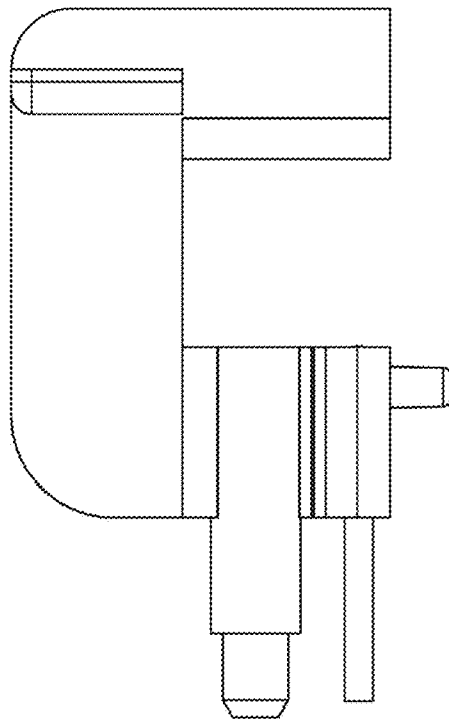


FIGURE 20

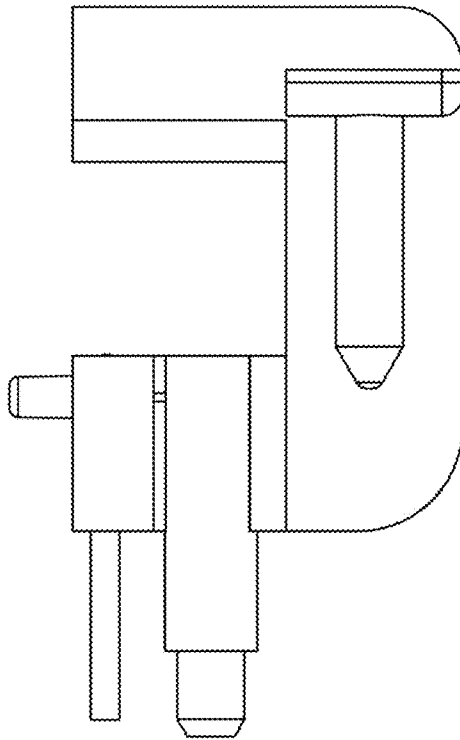


FIGURE 21

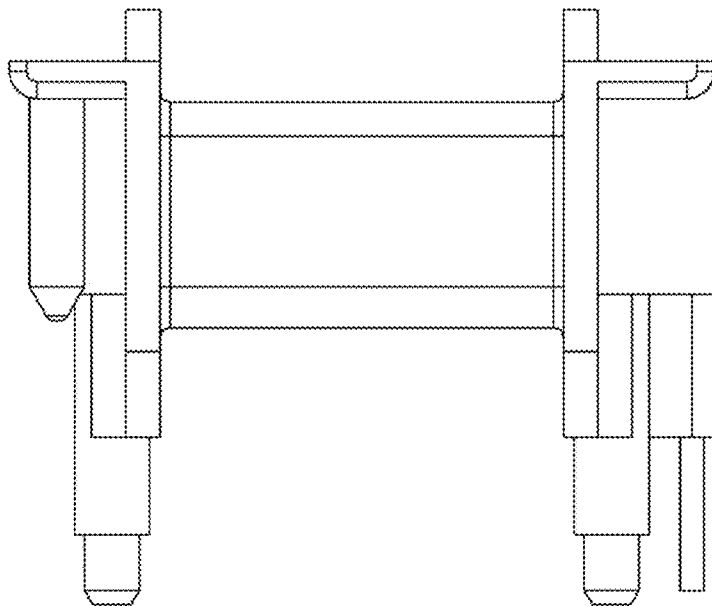


FIGURE 22

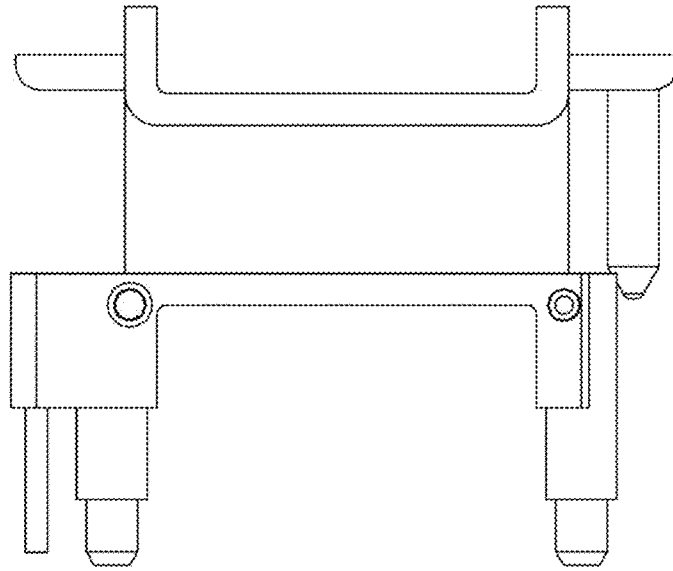


FIGURE 23

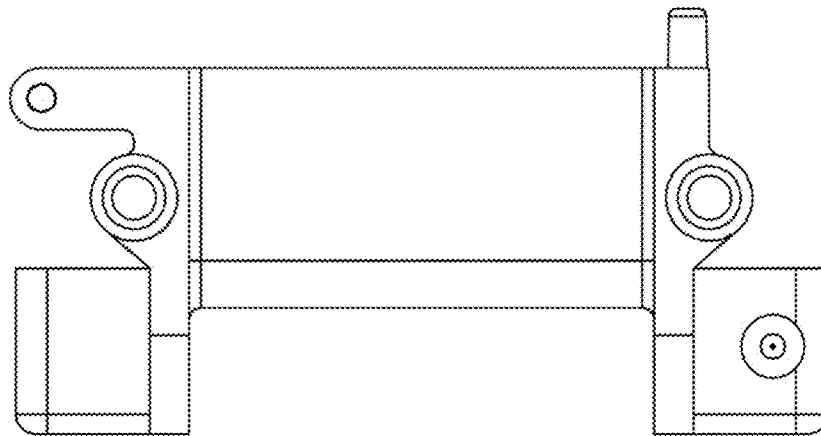


FIGURE 24

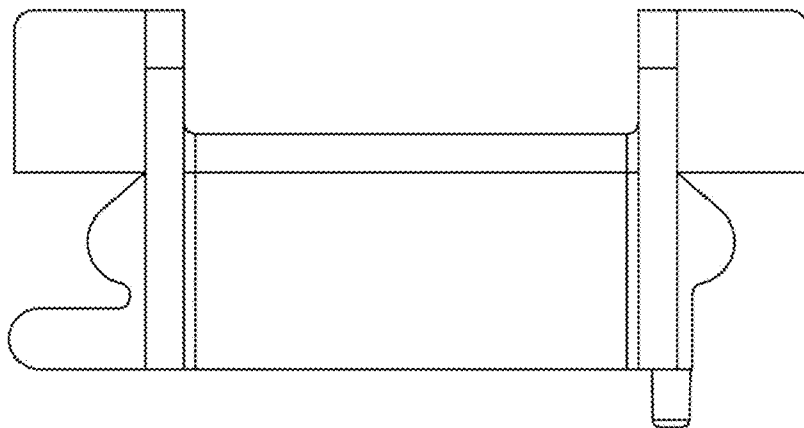


FIGURE 25