



US00D722873S

(12) **United States Design Patent**
Wu

(10) **Patent No.:** **US D722,873 S**

(45) **Date of Patent:** **** Feb. 24, 2015**

- (54) **VENTILATION CUP LID**
- (71) Applicant: **Yi Shen Plastic Corp.**, Chang Hua Hsien (TW)
- (72) Inventor: **Yen-Sheng Wu**, Chang Hua Hsien (TW)
- (73) Assignee: **Yi Shen Plastic Corp.**, Chang Hua Hsien (TW)
- (**) Term: **14 Years**
- (21) Appl. No.: **29/461,357**
- (22) Filed: **Jul. 22, 2013**
- (51) **LOC (10) Cl.** **09-07**
- (52) **U.S. Cl.**
USPC **D9/447; D9/449**
- (58) **Field of Classification Search**
CPC **B65D 47/06**
USPC **D7/300, 300.1, 392.1, 396.2, 531, 703; D9/434, 435, 436, 438, 440-445, 447, D9/449, 499, 502; 215/200, 235, 236, 252, 215/254, 329, 355-364; 220/203.04-203.07, 203.11, 254.4, 220/359.2, 556, 703, 704, 705, 787**
See application file for complete search history.

D476,566 S *	7/2003	Smith et al.	D9/447
D485,758 S *	1/2004	Clarke et al.	D9/447
D530,602 S *	10/2006	Boller et al.	D9/435
D572,587 S *	7/2008	Rush et al.	D9/447
D614,954 S *	5/2010	Crowell et al.	D9/447
D624,413 S *	9/2010	Selina et al.	D9/447
D695,612 S *	12/2013	Chou	D9/447
D696,940 S *	1/2014	Hale et al.	D9/447
D703,044 S *	4/2014	Chou	D9/435
D708,515 S *	7/2014	Fleming	D9/435

* cited by examiner

Primary Examiner — Robert M Spear
Assistant Examiner — Darcey E Heflin
 (74) *Attorney, Agent, or Firm* — Muncy, Geissler, Olds & Lowe, P.C.

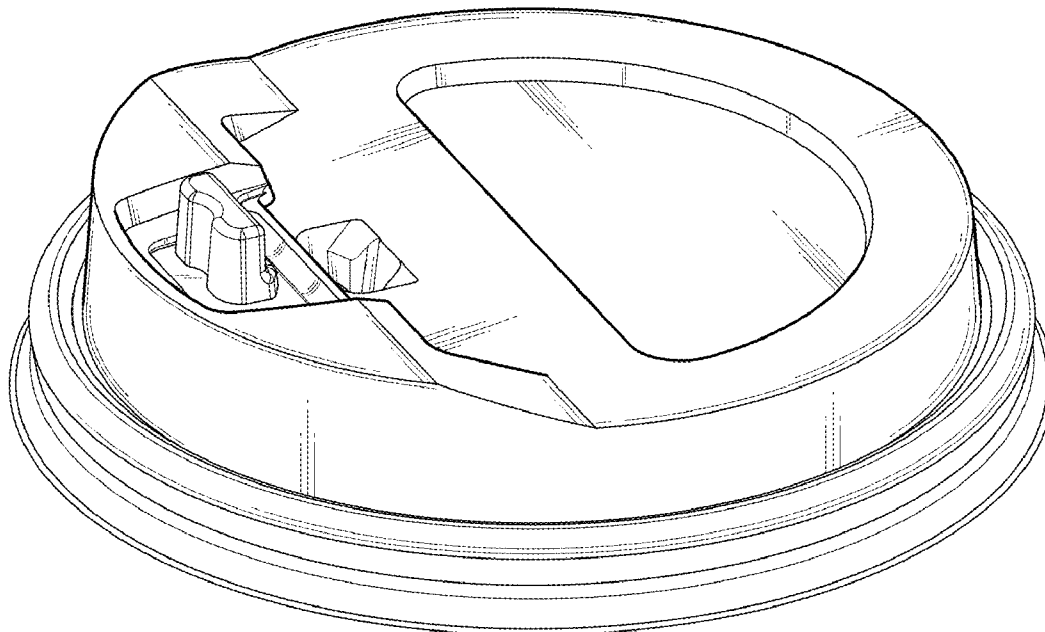
(57) **CLAIM**
 The ornamental design for “ventilation cup lid,” as shown and described.

DESCRIPTION

FIG. 1 is a perspective view of “ventilation cup lid” showing my new design thereof;
 FIG. 2 is a front side elevation view thereof;
 FIG. 3 is a rear side elevation view thereof;
 FIG. 4 is a left side elevation view thereof;
 FIG. 5 shows that a right side view thereof;
 FIG. 6 is a top view thereof; and,
 FIG. 7 is a bottom plan view thereof.

1 Claim, 5 Drawing Sheets

- (56) **References Cited**
 U.S. PATENT DOCUMENTS
 D256,888 S * 9/1980 Swade et al. D9/438
 D447,412 S * 9/2001 Durdon D9/438



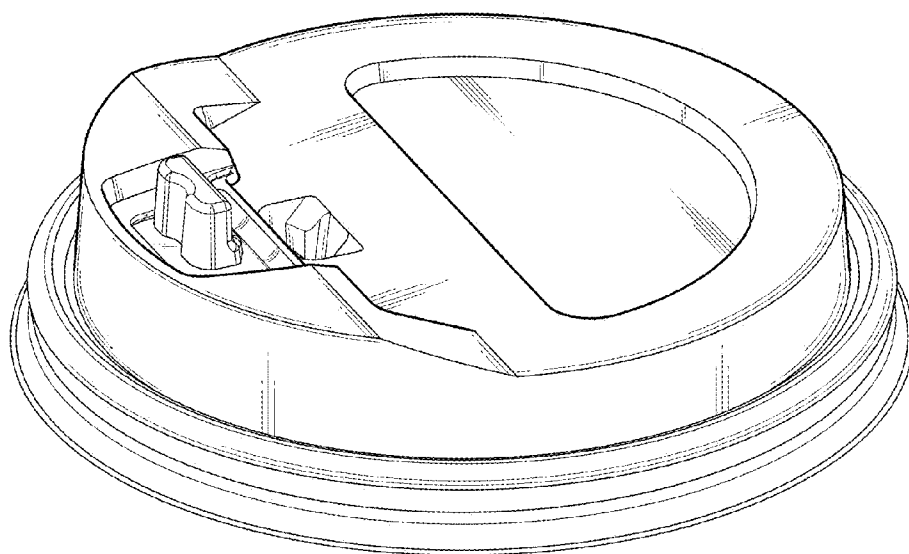


Fig . 1

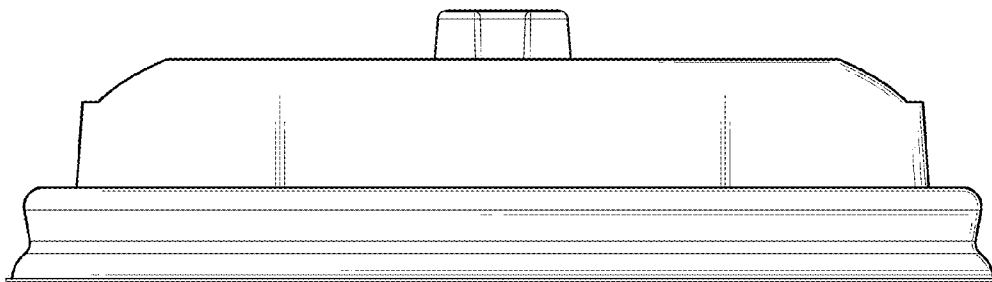


Fig . 2

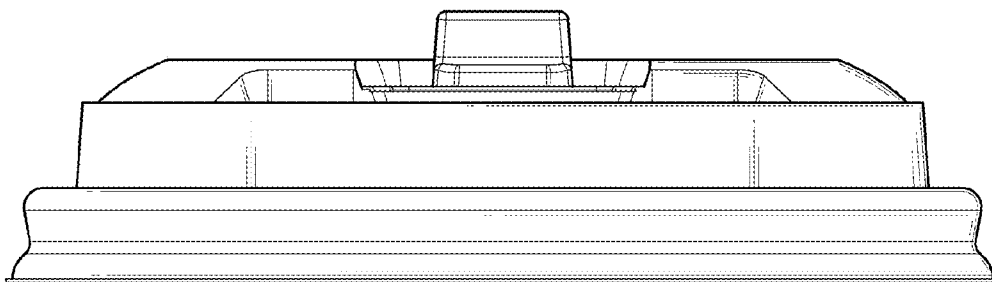


Fig . 3

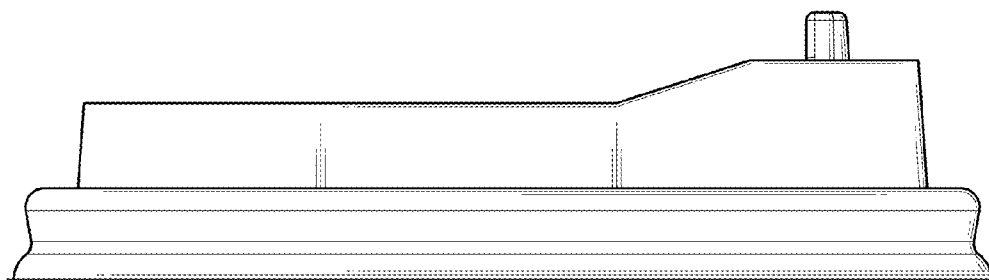


Fig . 4

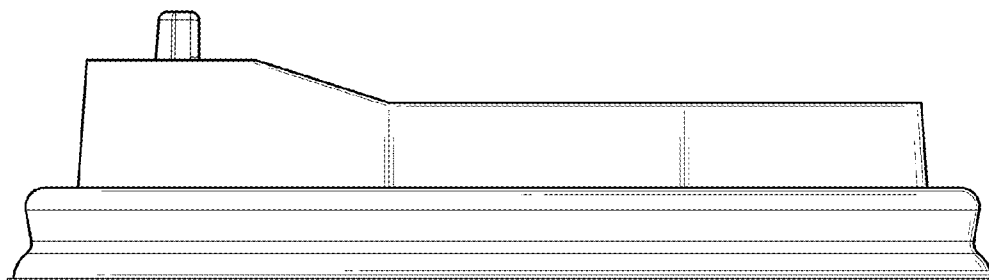


Fig . 5

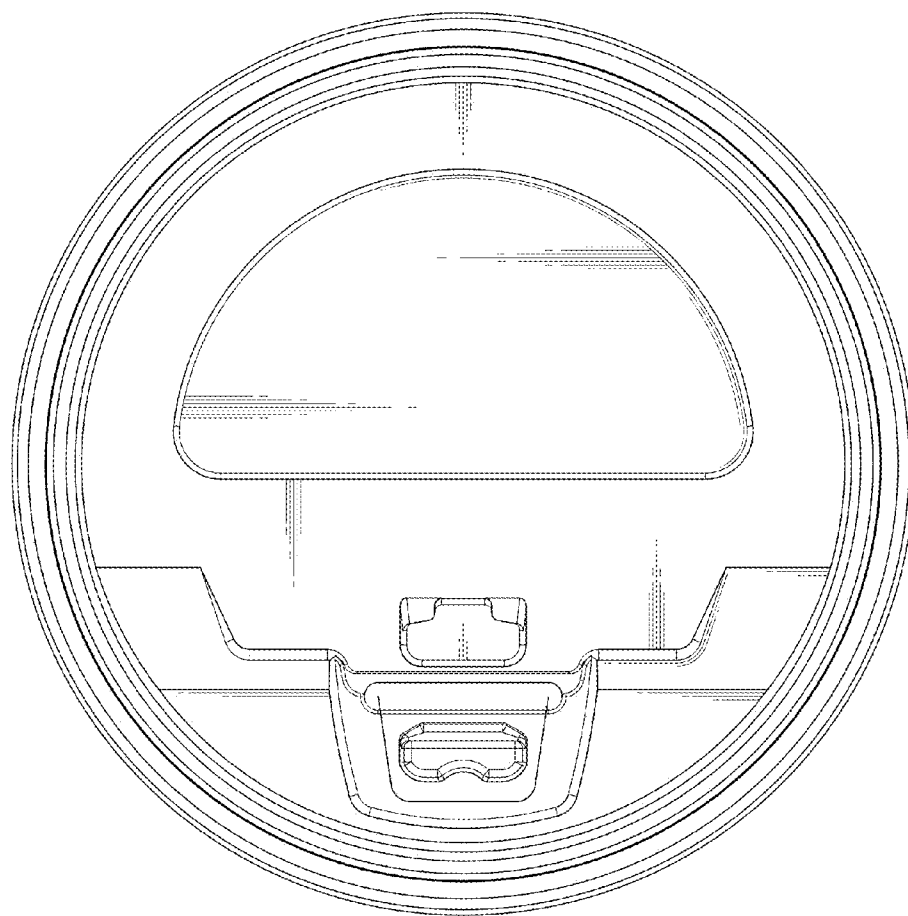


Fig . 6

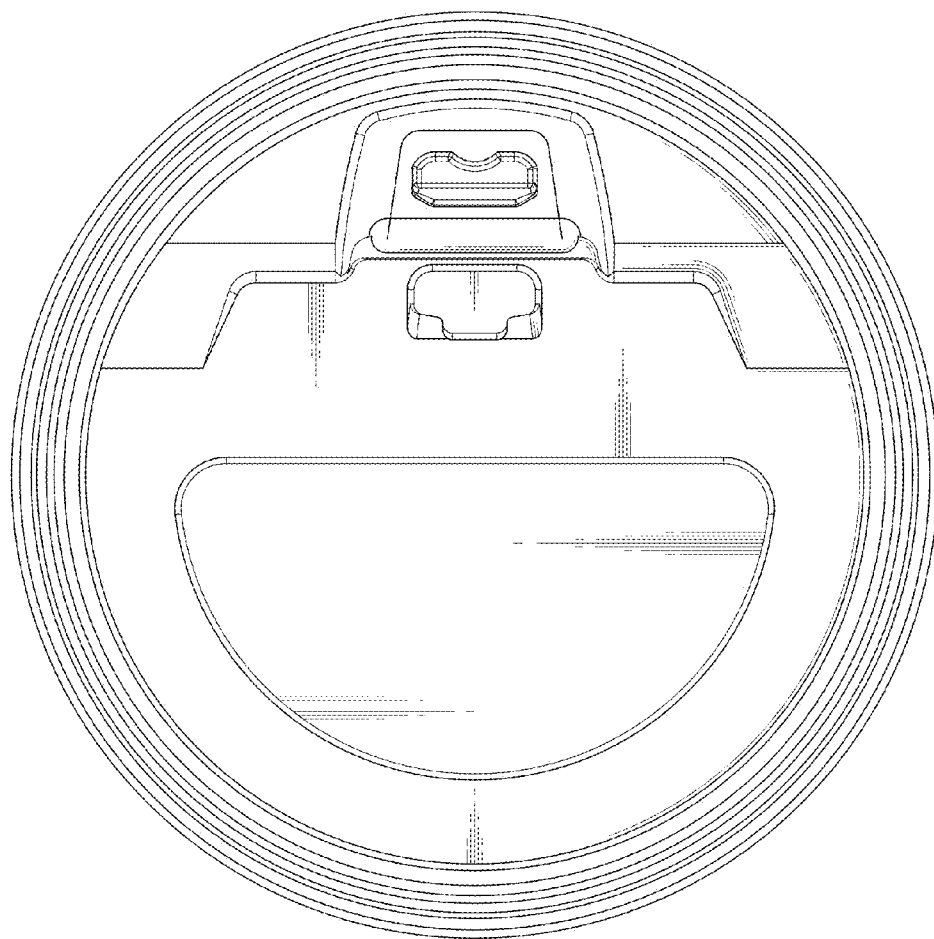


Fig . 7