



US00D440019S

(12) **United States Design Patent**
Mehaffey et al.

(10) **Patent No.:** **US D440,019 S**

(45) **Date of Patent:** **** Apr. 3, 2001**

(54) **CANISTER VACUUM POWER HEAD**

(75) Inventors: **David E. Mehaffey**, Danville, KY
(US); **Ty S. Rarick**, Houston, TX (US)

(73) Assignee: **Matsushita Electric Corporation of America**, Secaucus, NJ (US)

(**) Term: **14 Years**

(21) Appl. No.: **29/080,500**

(22) Filed: **Dec. 10, 1997**

(51) **LOC (7) Cl.** **15-05**

(52) **U.S. Cl.** **D32/32**

(58) **Field of Search** D32/21-22, 31-34;
15/323, 347, 350, 351, 352, 410-411, 412,
415.1-422.1

(56) **References Cited**

U.S. PATENT DOCUMENTS

D. 263,052	*	2/1982	Ueda	D32/33
D. 263,236	*	3/1982	Ueda	D32/32
D. 298,876		12/1988	Yamamoto et al.	.	
D. 314,264	*	1/1991	Kim	D32/33
D. 314,265	*	1/1991	Hong	D32/33
D. 318,542		7/1991	Funatsu et al.	.	

D. 331,991		12/1992	Wright et al.	.	
D. 335,941		5/1993	Wright et al.	.	
D. 352,809	*	11/1994	Reath	D32/31
D. 358,242	*	5/1995	McKnight	D32/32
D. 376,879	*	12/1996	Selewski et al.	D32/32

* cited by examiner

Primary Examiner—Ruth McInroy

(74) *Attorney, Agent, or Firm*—King and Schickli, PLLC

(57) **CLAIM**

The ornamental design of an canister vacuum power head, as shown and described.

DESCRIPTION

FIG. 1 is a perspective view of a canister vacuum power head showing our new design;
 FIG. 2 is a left side elevational view thereof;
 FIG. 3 is a front elevational view thereof;
 FIG. 4 is a right side elevational view thereof;
 FIG. 5 is a rear elevational view thereof;
 FIG. 6 is a top plan view thereof; and,
 FIG. 7 is a bottom plan view thereof.

The details shown in broken lines in FIGS. 1, 2, 4, 5, 6, and 7 are shown for illustrative purposes only and form no part of the claimed design.

1 Claim, 4 Drawing Sheets

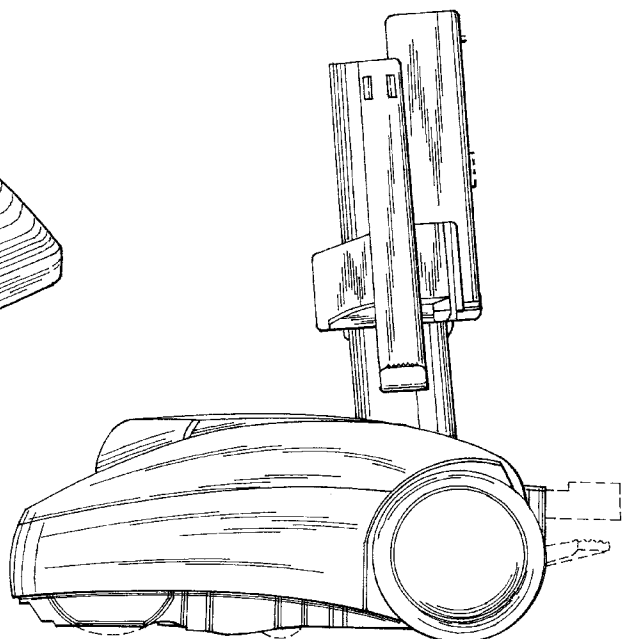
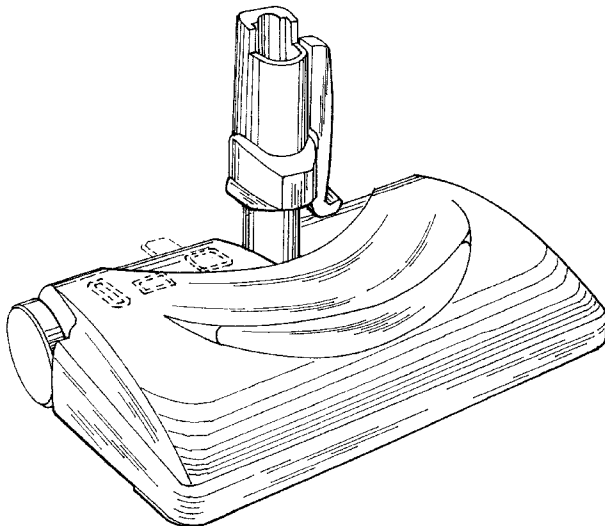


Fig. 1

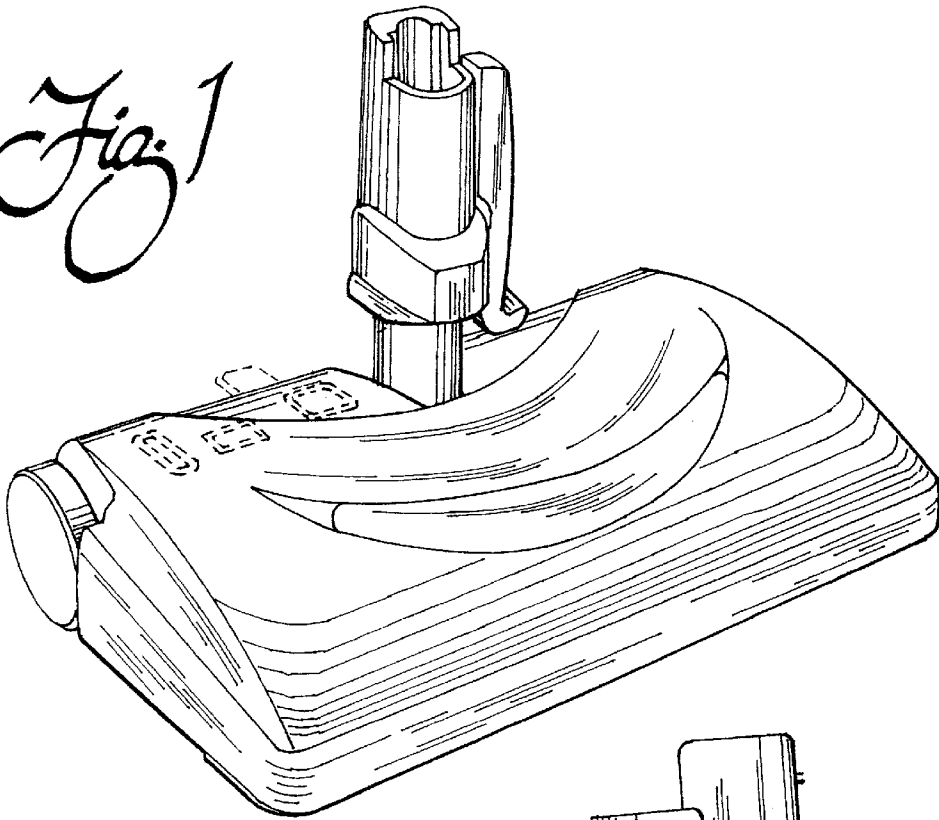


Fig. 2

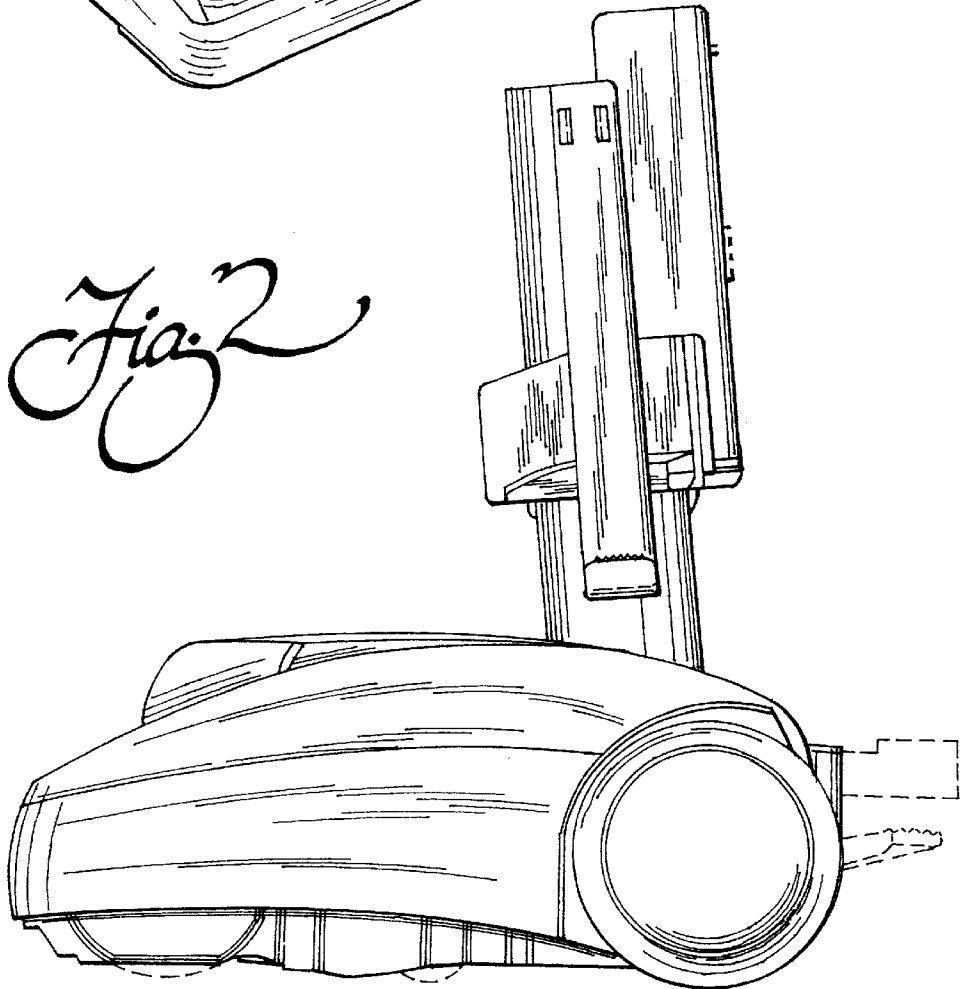


Fig. 3

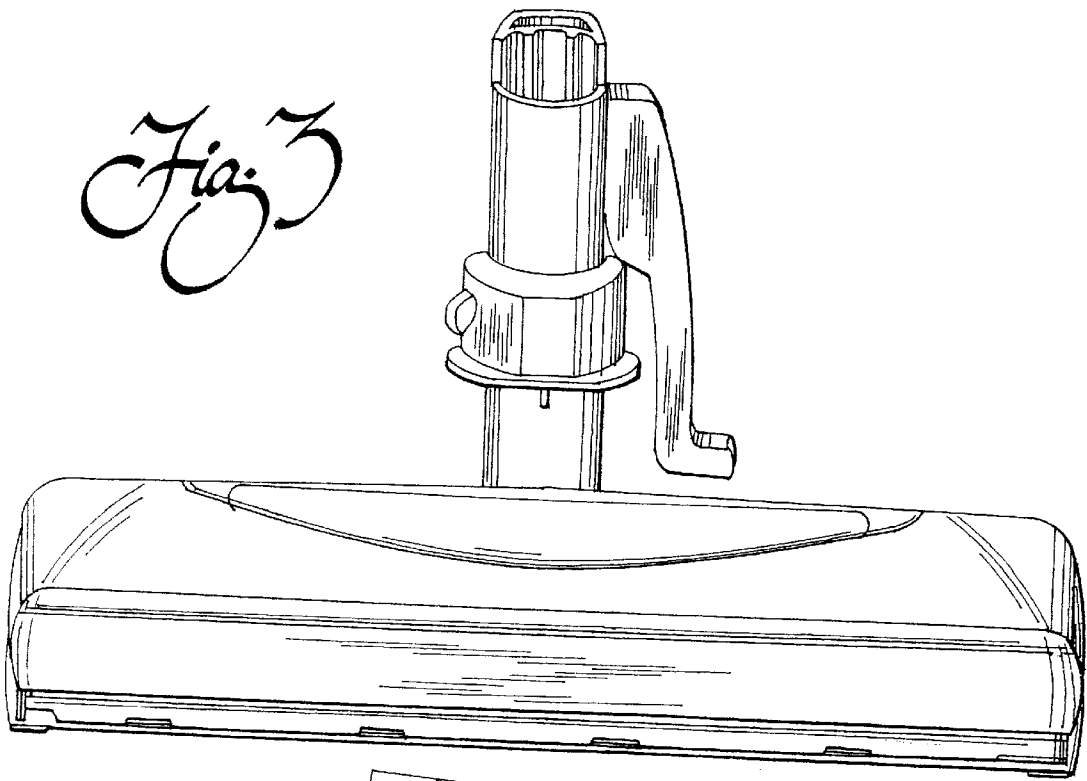
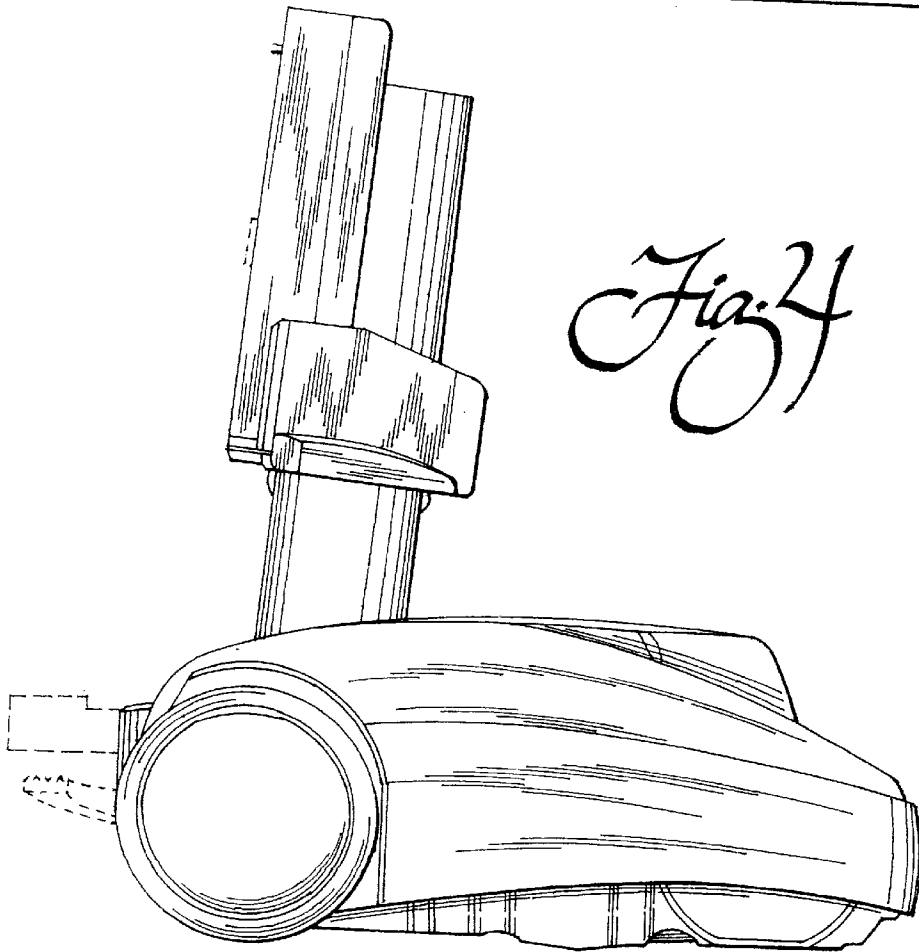


Fig. 4



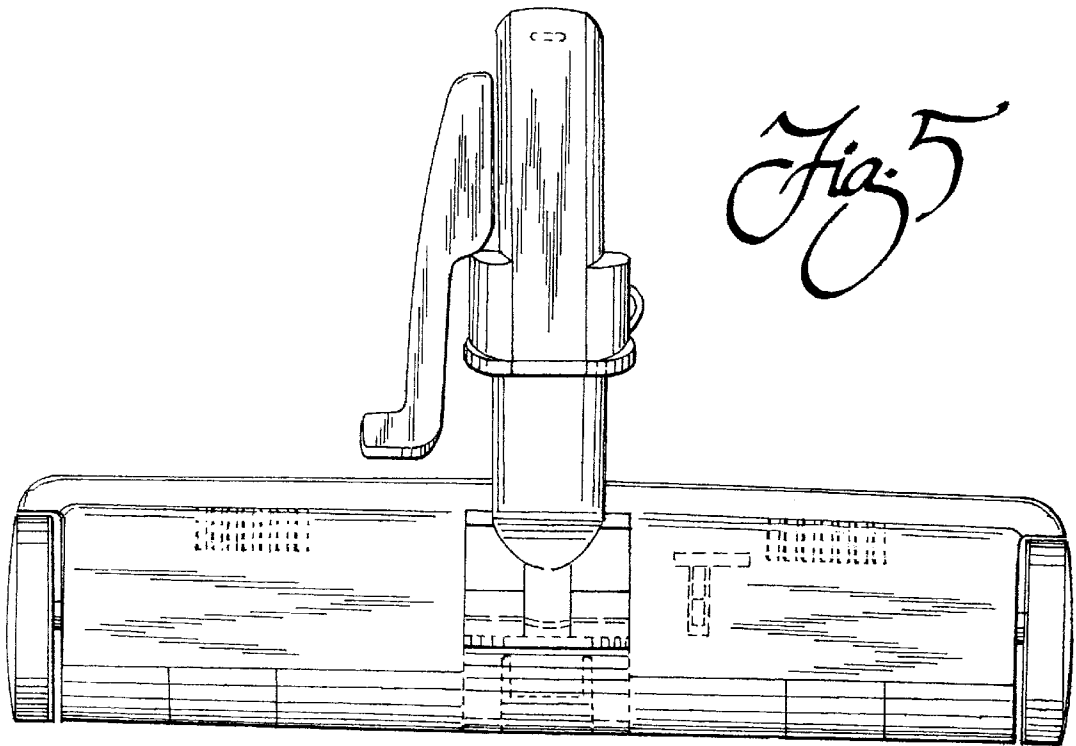


Fig. 5

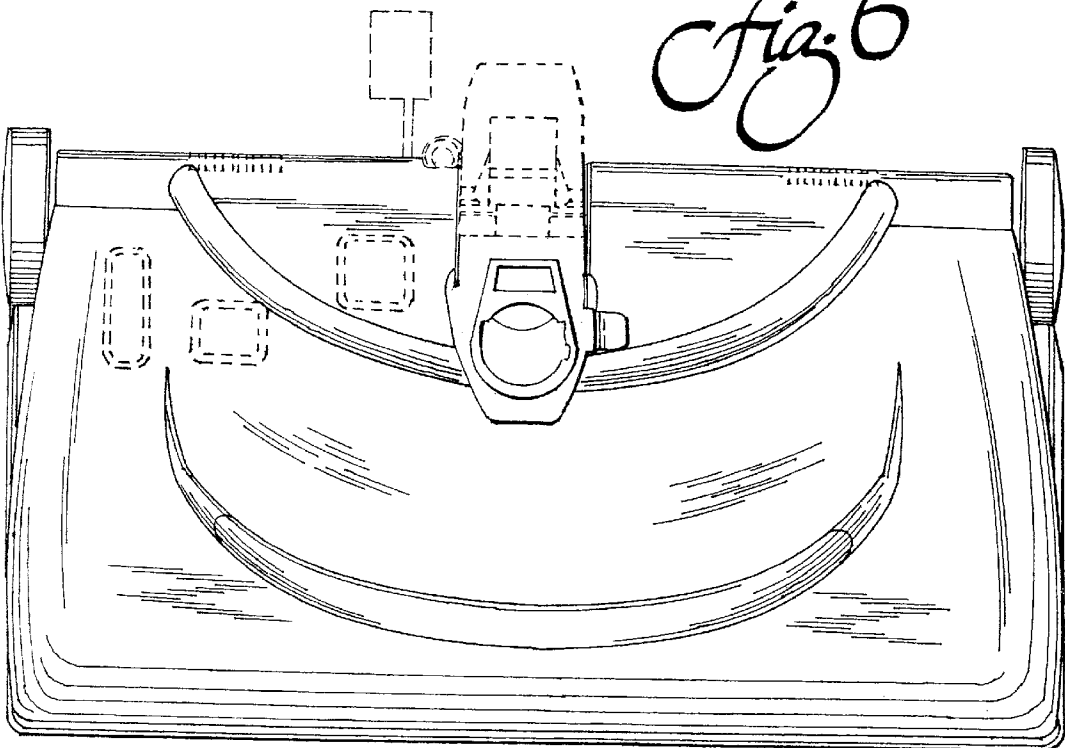


Fig. 6

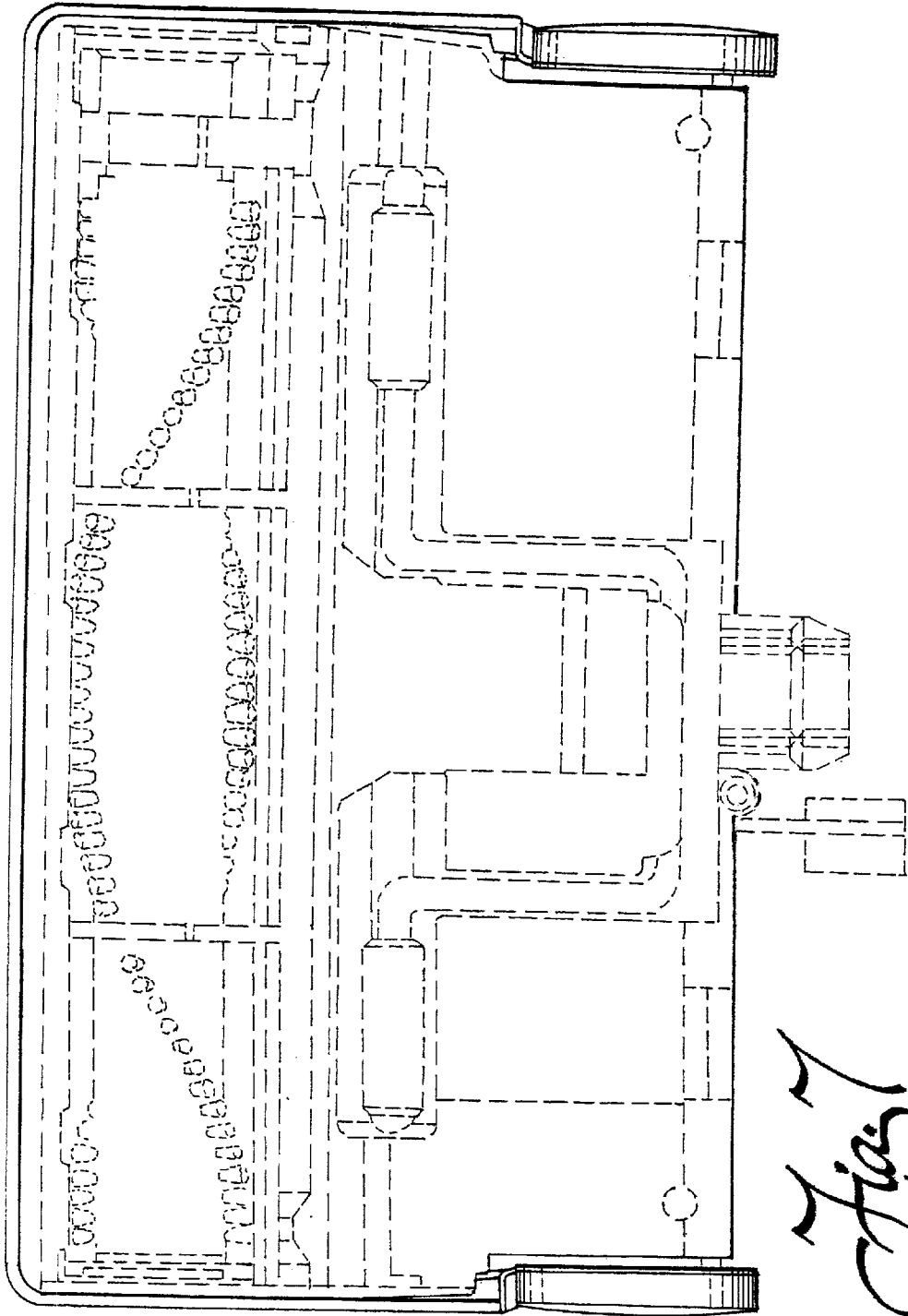


Fig. 7