



US00D765261S

(12) **United States Design Patent**
Arai et al.

(10) **Patent No.:** **US D765,261 S**

(45) **Date of Patent:** **** Aug. 30, 2016**

(54) **DIGITAL MAT**

(71) Applicant: **Aegle Health LLC**, Shawnee, KS (US)

(72) Inventors: **Chieko Arai**, Shawnee, KS (US); **Yulin Li**, Shawnee, KS (US); **Milton S. Arai Li**, Shawnee, KS (US); **Gordon S. Arai Li**, Shawnee, KS (US)

(73) Assignee: **Aegle Health LLC**, Shawnee, KS (US)

(**) Term: **15 Years**

(21) Appl. No.: **29/529,255**

(22) Filed: **Jun. 4, 2015**

(51) **LOC (10) Cl.** **24-04**

(52) **U.S. Cl.**
USPC **D24/200**

(58) **Field of Classification Search**
USPC D24/200, 206–208, 183, 189; D16/241;
D20/10, 17, 27; D6/300, 582
CPC A61F 7/007; A61F 7/0085; A61F 7/02;
A61F 7/08; A61F 7/0097
See application file for complete search history.

(56) **References Cited**

U.S. PATENT DOCUMENTS

3,416,524 A * 12/1968 Meier A61F 13/00021
D24/189
5,318,568 A * 6/1994 Kaufmann A61F 7/0097
285/320

D389,581 S * 1/1998 Fein D24/189
D477,086 S * 7/2003 Tsuruda D24/189
D556,912 S * 12/2007 Piacentino D24/206
7,693,580 B2 * 4/2010 Docherty A61F 7/007
607/100
D713,048 S * 9/2014 Ogaki D24/200

* cited by examiner

Primary Examiner — Wan Laymon

(74) *Attorney, Agent, or Firm* — Erickson Kernell IP, LLC

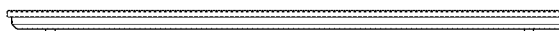
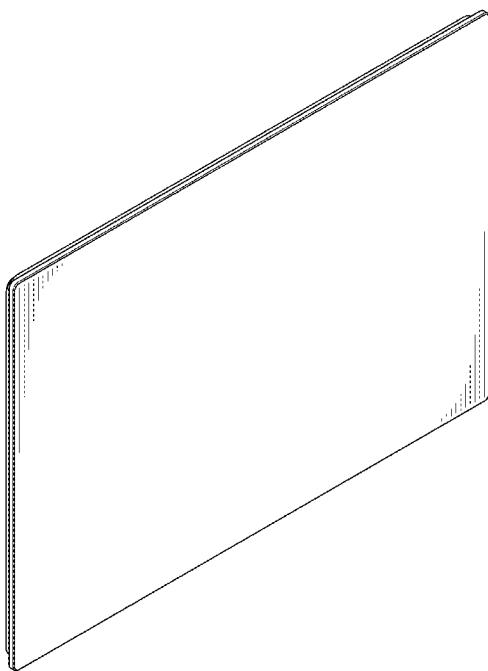
(57) **CLAIM**

The ornamental design for a digital mat, as shown and described.

DESCRIPTION

FIG. 1 is a perspective view of an ornamental design for a digital mat;
FIG. 2 is a top view thereof;
FIG. 3 is front view thereof;
FIG. 4 is a rear view thereof;
FIG. 5 is a left side view thereof; and,
FIG. 6 is a right side view thereof.
The broken lines in FIGS. 5 and 6 form no part of the claimed design.

1 Claim, 4 Drawing Sheets



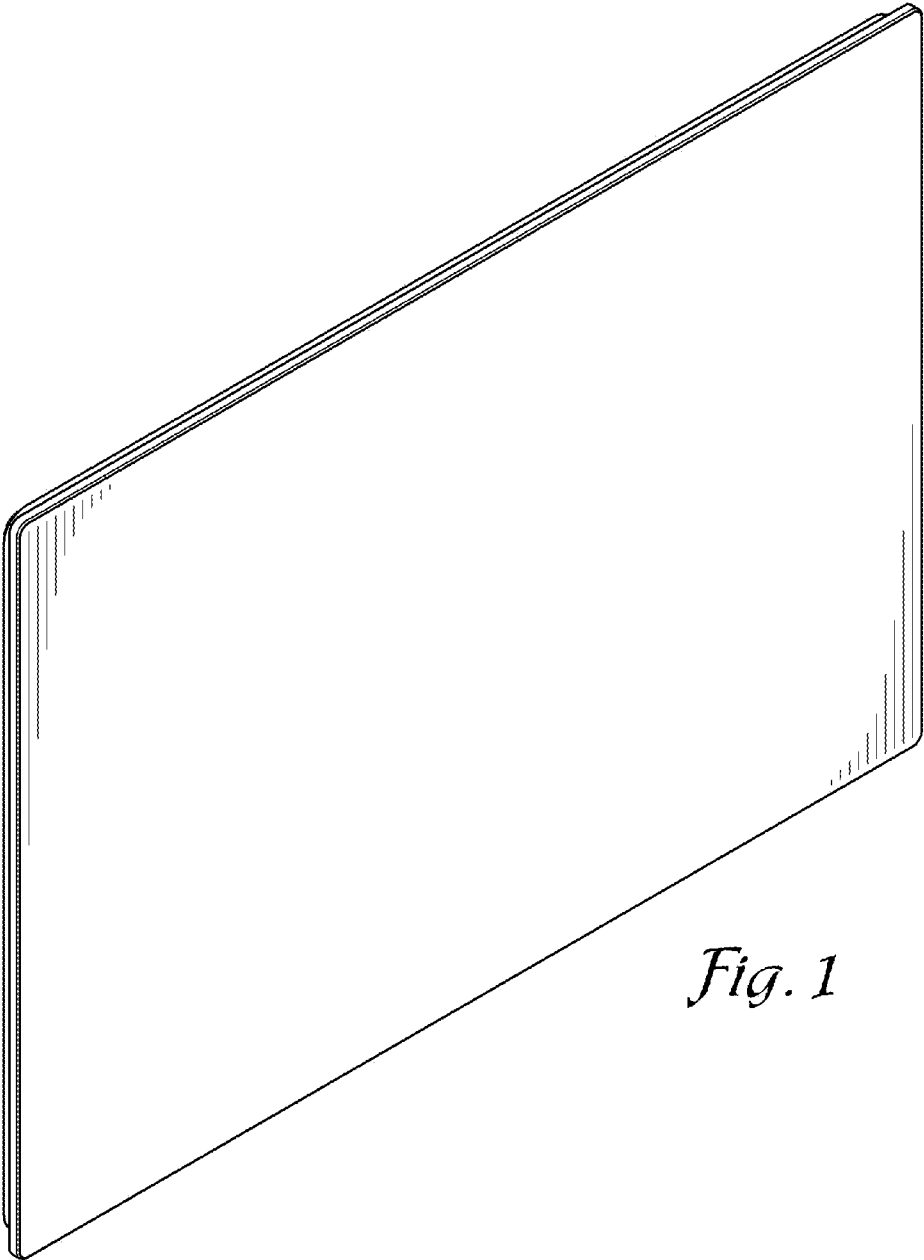


Fig. 1

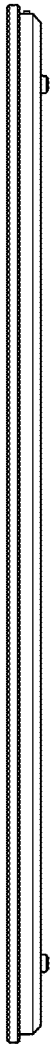


Fig. 2



Fig. 3

Fig. 4

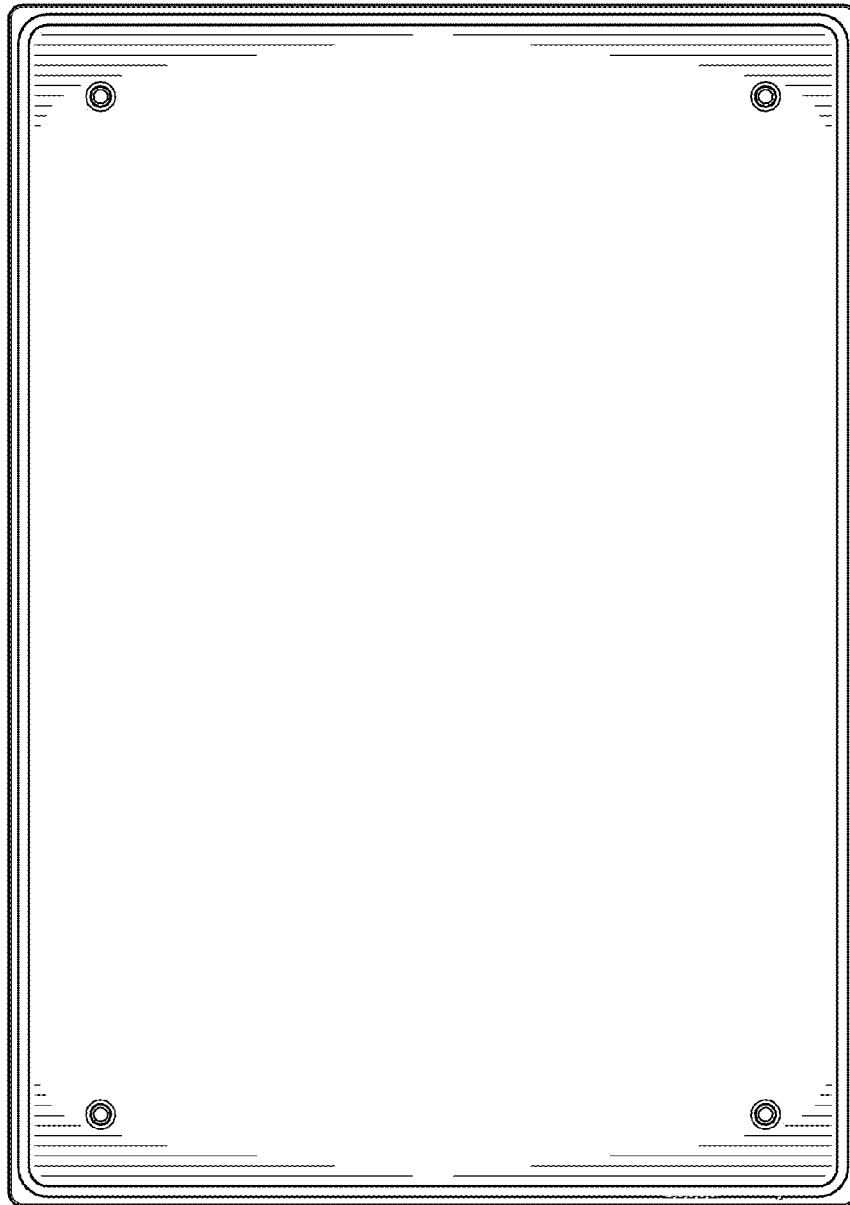




Fig. 6

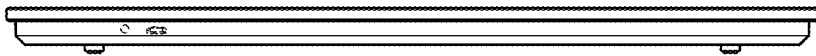


Fig. 5