



US00D602996S

(12) **United States Design Patent**
Takeuchi

(10) **Patent No.:** **US D602,996 S**

(45) **Date of Patent:** **** Oct. 27, 2009**

(54) **GAMING MACHINE CABINET**

(75) Inventor: **Mitsushige Takeuchi**, Tokyo (JP)

(73) Assignee: **Konami Gaming, Incorporated**, Las Vegas, NV (US)

(**) Term: **14 Years**

(21) Appl. No.: **29/312,430**

(22) Filed: **Oct. 20, 2008**

(51) **LOC (9) Cl.** **21-01**

(52) **U.S. Cl.** **D21/385**

(58) **Field of Classification Search** D14/304-307;
D21/324-329, 369-371, 385; 273/138.1;
463/13, 16-17, 46-47

See application file for complete search history.

(56) **References Cited**

U.S. PATENT DOCUMENTS

- D528,606 S * 9/2006 Seelig et al. D21/370
- D549,785 S * 8/2007 Luciano et al. D21/370
- D572,314 S * 7/2008 Vallejo et al. D21/370
- 2002/0166882 A1 * 11/2002 Roberts et al. 463/17

OTHER PUBLICATIONS

U.S. Appl. No. 29/312,429, filed Oct. 20, 2008, Takeuchi.

* cited by examiner

Primary Examiner—Sandra Morris
(74) *Attorney, Agent, or Firm*—Muirhead and Saturnelli, LLC

(57) **CLAIM**

The ornamental design for a gaming machine cabinet, as shown and described.

DESCRIPTION

FIG. 1 is a front elevational view of a first embodiment of a gaming machine cabinet showing the new design;

FIG. 2 is a rear elevational view thereof;

FIG. 3 is a left elevational view thereof;

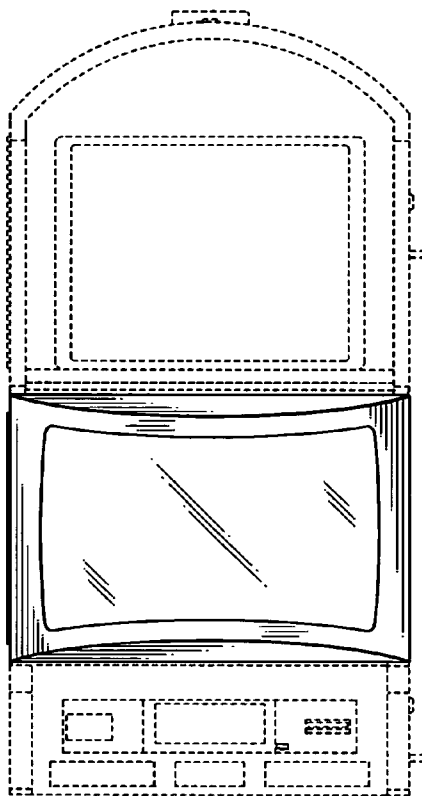
FIG. 4 is a right elevational view thereof;

FIG. 5 is a top plan view thereof; and,

FIG. 6 is a bottom plan view thereof.

The broken line showing of portions of the gaming machine cabinet is included for the purpose of illustrating environmental structure and forms no part of the claimed design.

1 Claim, 6 Drawing Sheets



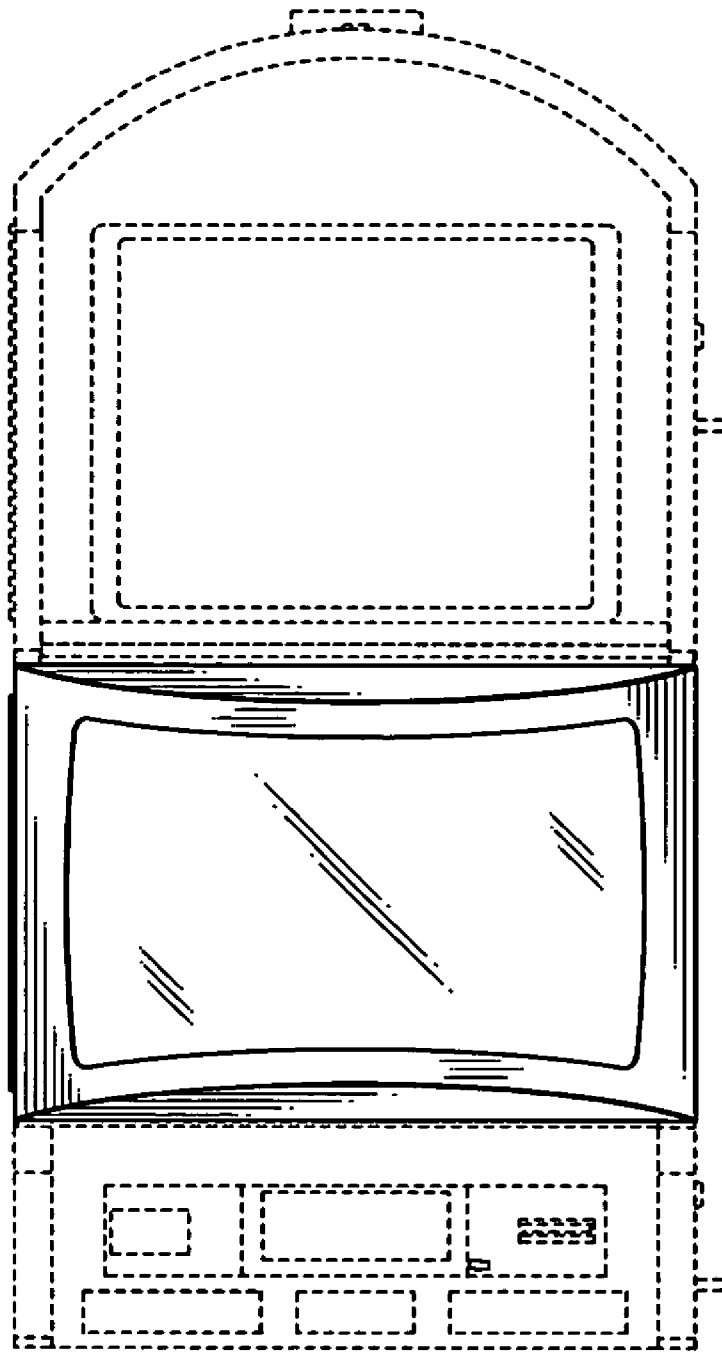


FIG. 1

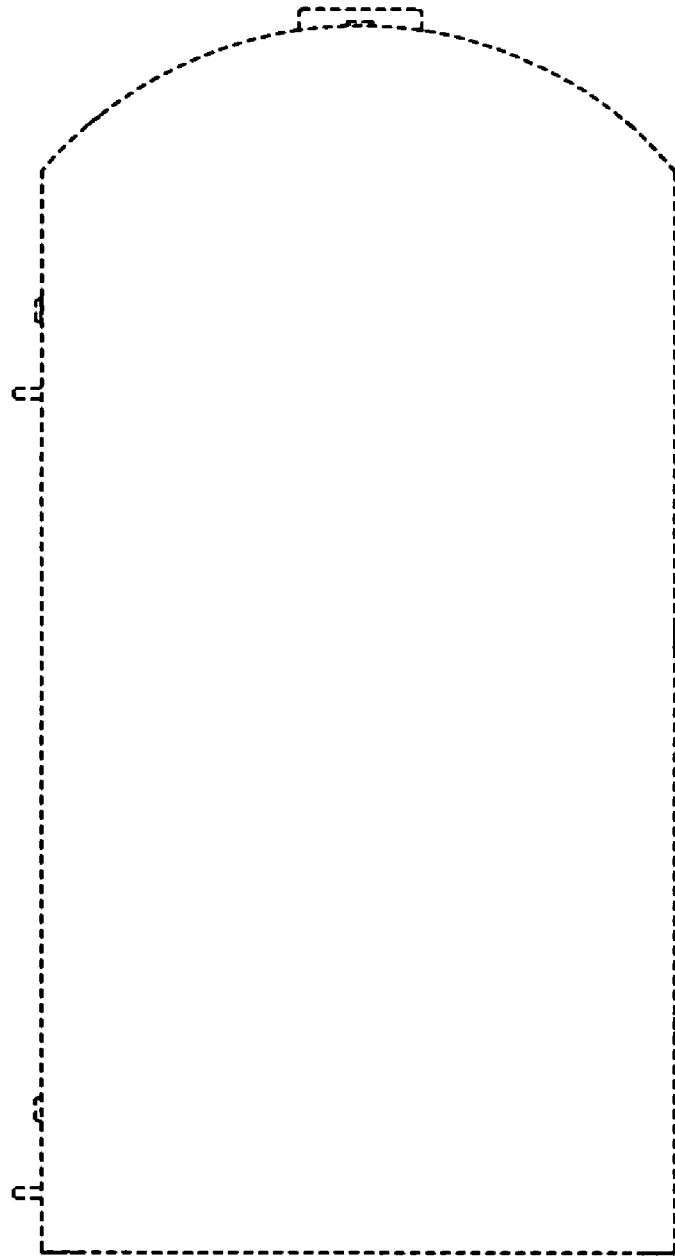


FIG. 2

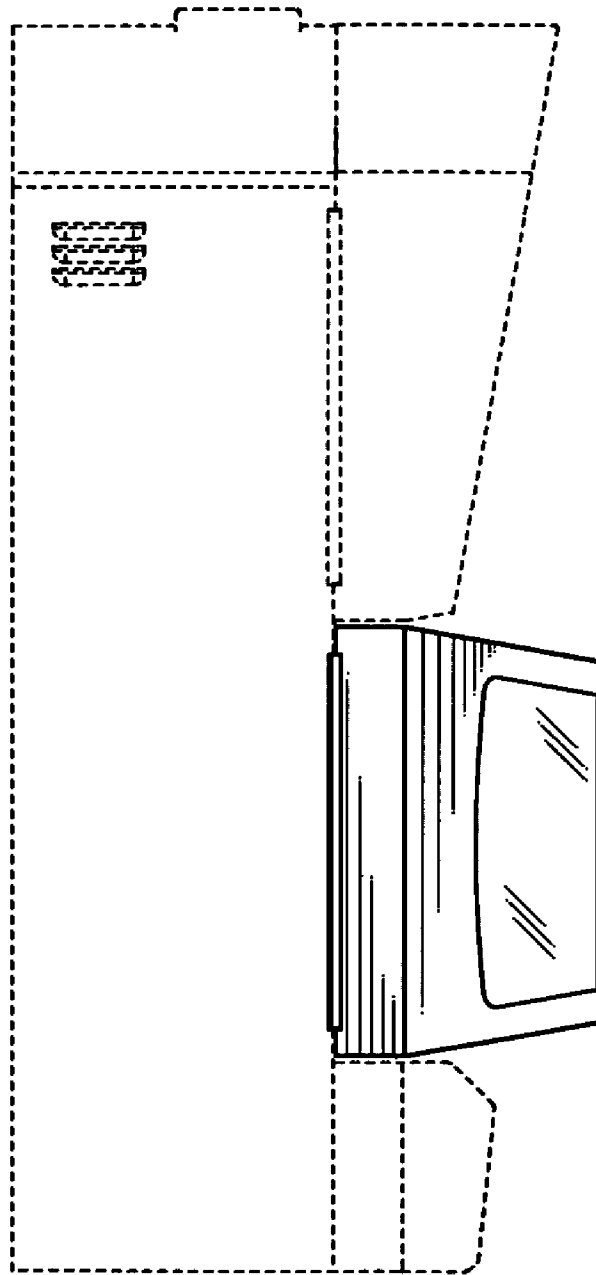


FIG. 3

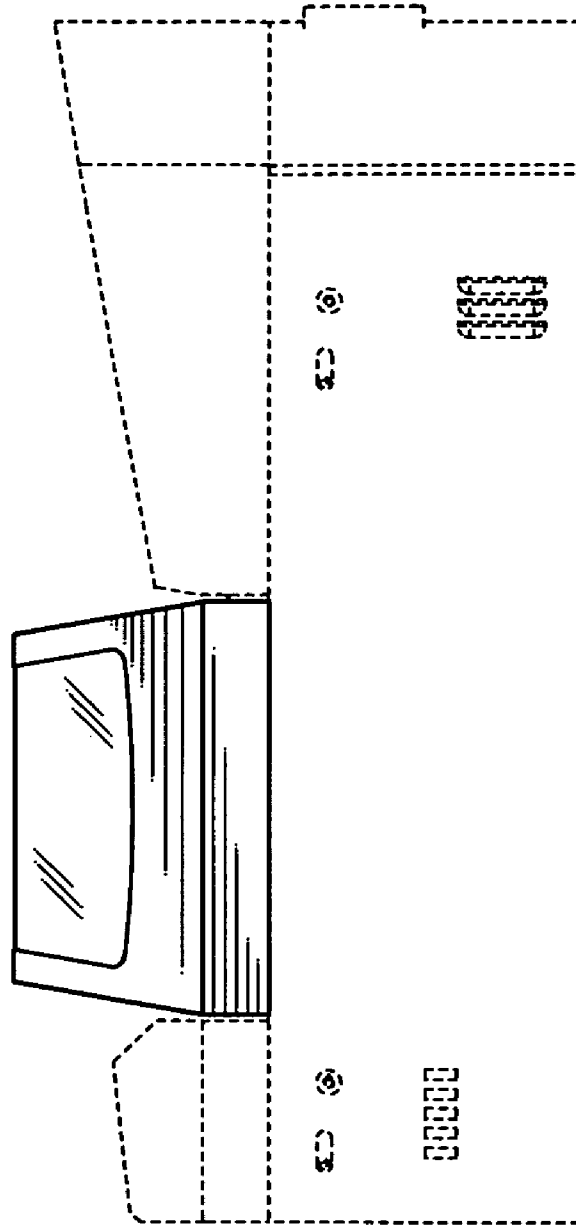


FIG. 4

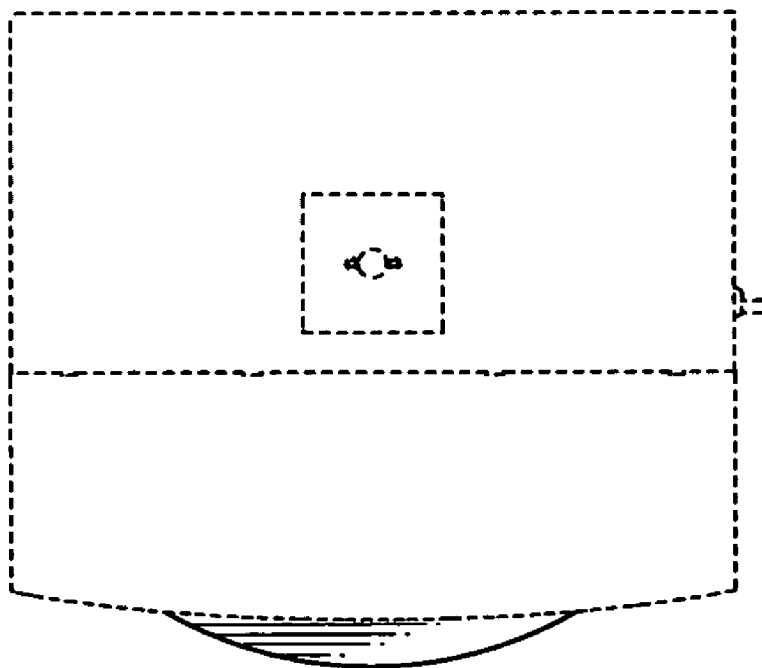


FIG. 5

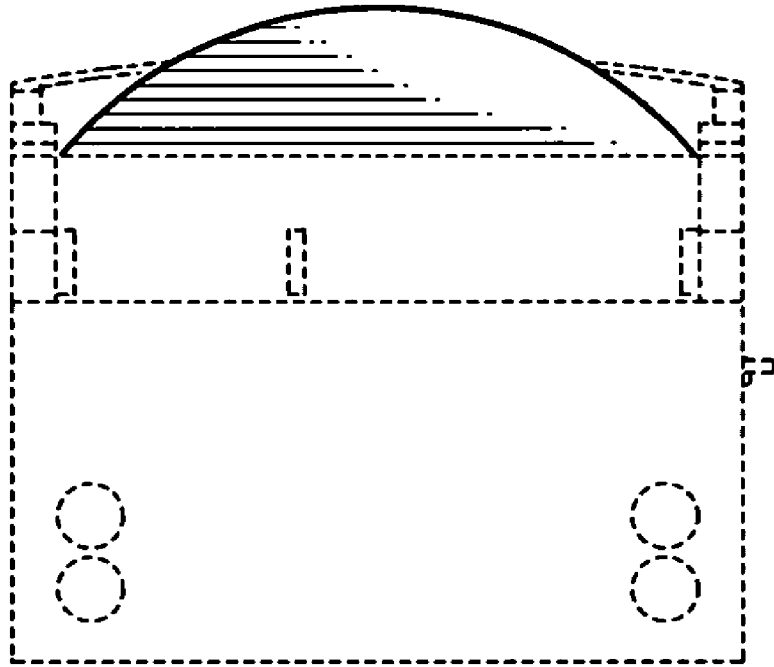


FIG. 6