



US00D938322S

(12) **United States Design Patent**
Hirai

(10) **Patent No.:** **US D938,322 S**

(45) **Date of Patent:** **** Dec. 14, 2021**

(54) **REAR BUMPER FOR AN AUTOMOBILE**

D860,074 S *	9/2019	Beckles	D12/169
D864,055 S *	10/2019	Chan	D12/169
D887,916 S *	6/2020	Toriyama	D12/169
D914,555 S *	3/2021	Bischoff	D12/169
D915,249 S *	4/2021	Bischoff	D12/169

(71) Applicant: **TOYOTA JIDOSHA KABUSHIKI KAISHA**, Toyota (JP)

(72) Inventor: **Tokiko Hirai**, Nagakute (JP)

(73) Assignee: **TOYOTA JIDOSHA KABUSHIKI KAISHA**

(**) Term: **15 Years**

(21) Appl. No.: **29/749,987**

(22) Filed: **Sep. 10, 2020**

(30) **Foreign Application Priority Data**

Mar. 12, 2020 (JP) 2020-004948

(51) **LOC (13) CL.** **12-16**

(52) **U.S. CL.**
USPC **D12/169**

(58) **Field of Classification Search**

USPC D12/169, 163, 196, 86, 90-92;
296/180.1, 180.2; 293/102, 113, 115,
293/117, 120

CPC B60R 19/52; B60R 2019/25; B62D 25/084

See application file for complete search history.

(56) **References Cited**

U.S. PATENT DOCUMENTS

D531,547 S *	11/2006	Hiruta	D12/92
D623,568 S *	9/2010	Ward	D12/169
D780,077 S *	2/2017	Kim	D12/169
D807,801 S *	1/2018	Piscitelli	D12/169
D856,202 S *	8/2019	Lucas	D12/164
D856,865 S *	8/2019	Hatton	D12/169

OTHER PUBLICATIONS

netcarshow.com, Toyota RAV4 (2019), <<https://www.netcarshow.com/toyota/2019-rav4/>>, available as early as Dec. 31, 2018.

netcarshow.com, Hyundai Kona (2018), <<https://www.netcarshow.com/hyundai/2018-kona/>>, available as early as Dec. 31, 2018.

* cited by examiner

Primary Examiner — Melody N Brown

(74) *Attorney, Agent, or Firm* — Saidman DesignLaw Group, LLC

(57) **CLAIM**

The ornamental design for a rear bumper for an automobile, as shown and described.

DESCRIPTION

FIG. 1 is a perspective view of a rear bumper for an automobile showing my new design;
FIG. 2 is a front view thereof;
FIG. 3 is a rear view thereof;
FIG. 4 is a right side view thereof;
FIG. 5 is a left side view thereof;
FIG. 6 is a top view thereof; and,
FIG. 7 is a bottom view thereof.

1 Claim, 7 Drawing Sheets

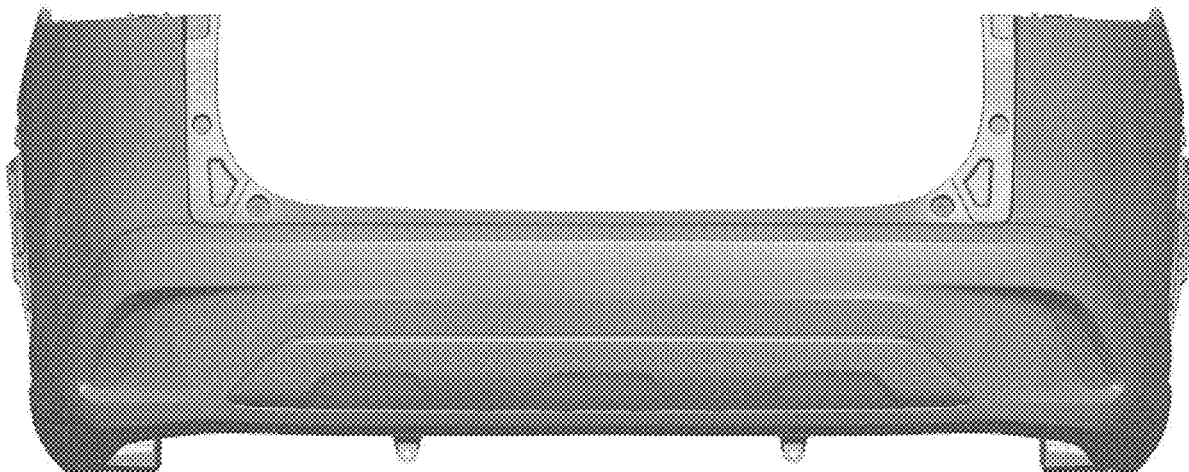




FIG. 1

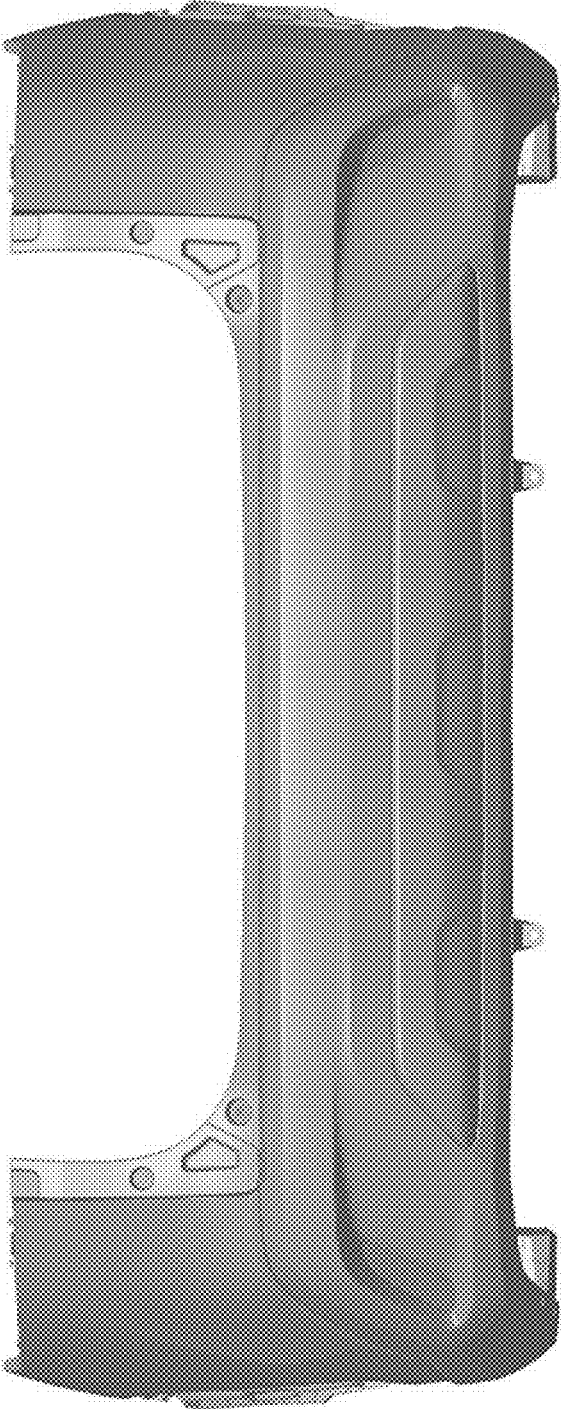


FIG. 2

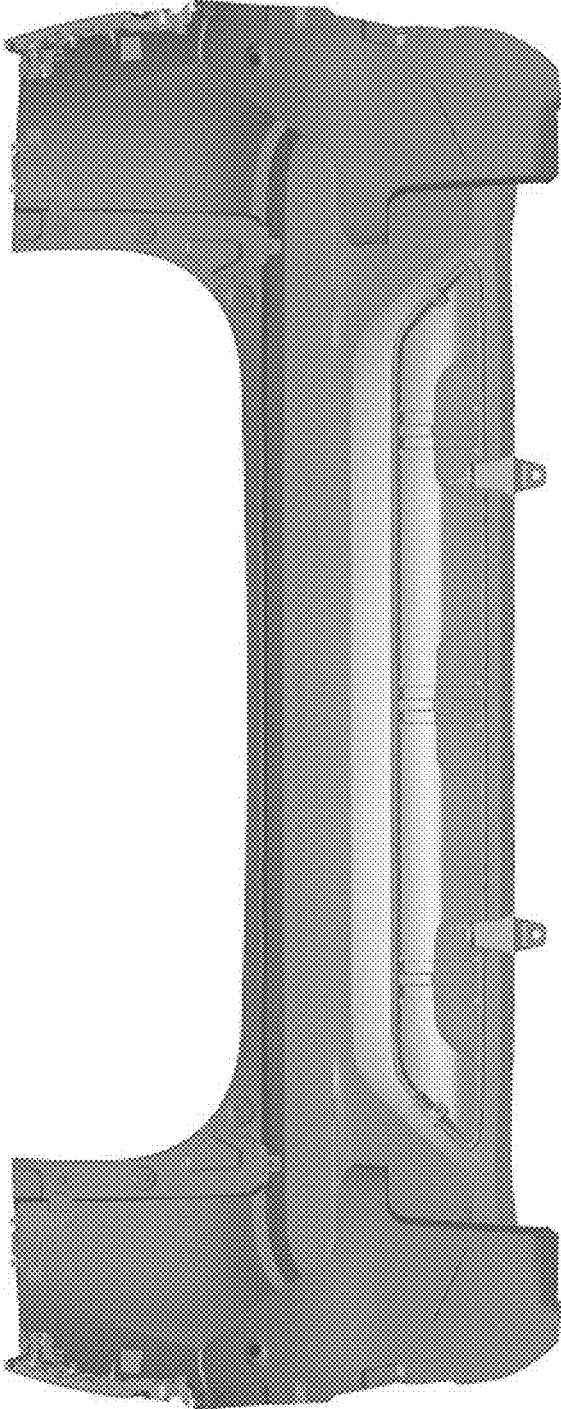


FIG. 3

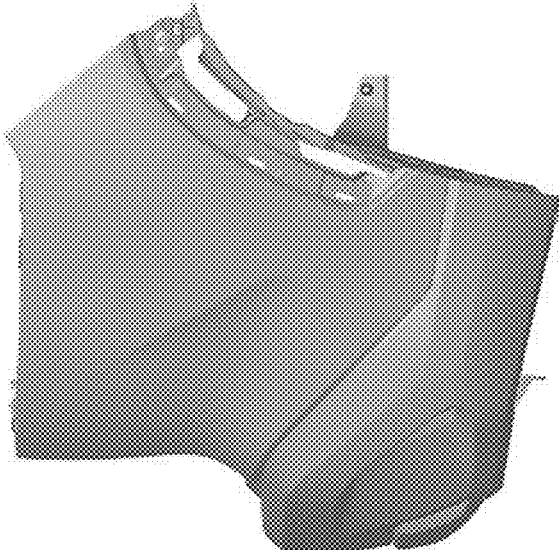


FIG. 4

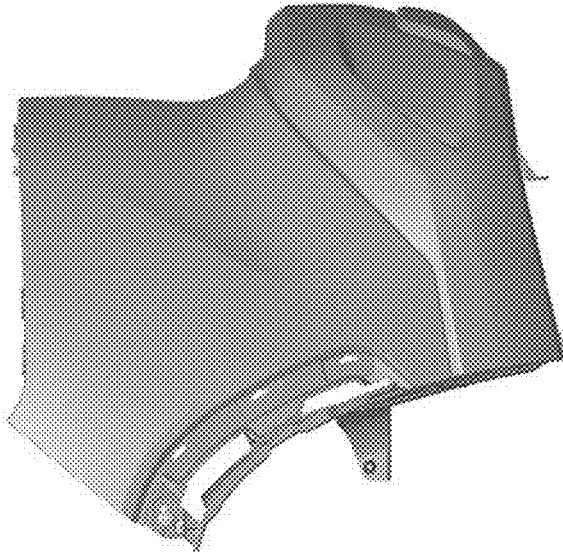


FIG. 5

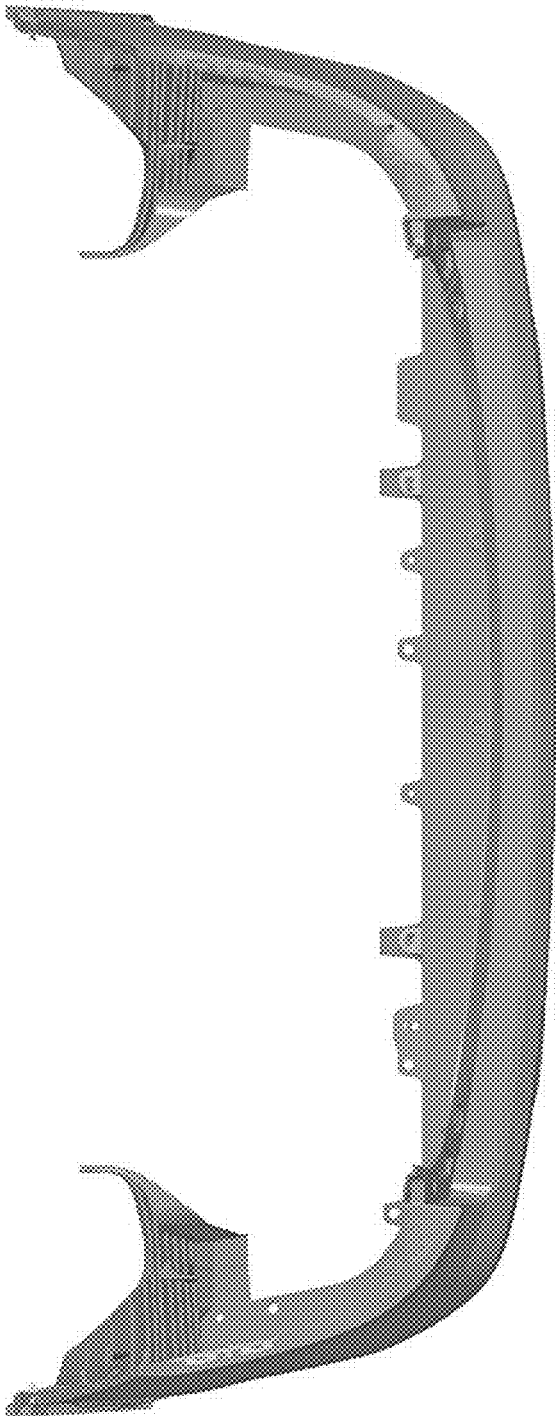


FIG. 6

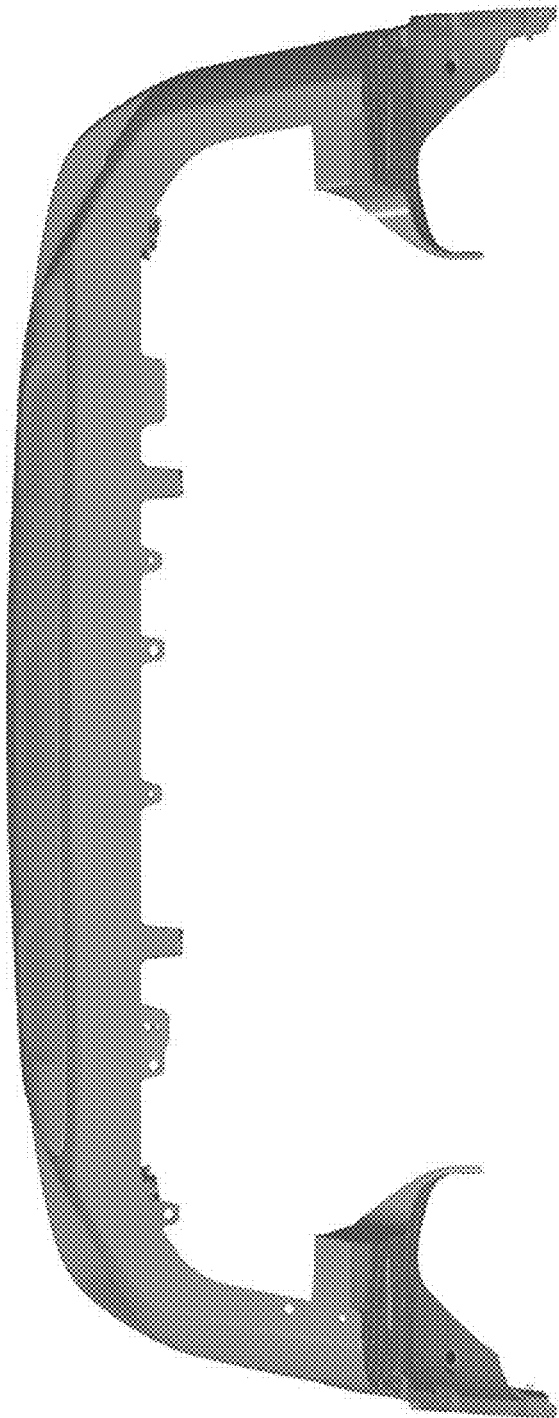


FIG. 7