



US00D846321S

(12) **United States Design Patent**
Vandervorst

(10) **Patent No.:** **US D846,321 S**

(45) **Date of Patent:** **** Apr. 23, 2019**

(54) **GUITAR STAND**

6,121,527 A *	9/2000	Hamm	G10G 5/00
				84/327
D506,774 S *	6/2005	Stevens	D17/99
D610,835 S *	3/2010	Mono	D6/682
D628,830 S *	12/2010	Mono	D6/682.3
D646,505 S *	10/2011	Eason	D6/682.3
D707,475 S *	6/2014	Triato	G10G 5/00
				D6/682.3
D784,056 S *	4/2017	Van Herpe	G10G 5/00
				D6/682

(71) Applicant: **Pascal Vandervorst**, Erps-Kwerps (BE)

(72) Inventor: **Pascal Vandervorst**, Erps Kwerps (BE)

(**) Term: **15 Years**

(21) Appl. No.: **35/503,541**

(22) Filed: **Jul. 13, 2017**

* cited by examiner

(80) **Hague Agreement Data**

Int. Filing Date: **Jul. 13, 2017**

Int. Reg. No.: **DM/097243**

Int. Reg. Date: **Jul. 13, 2017**

Int. Reg. Pub. Date: **Aug. 18, 2017**

Primary Examiner — Mary Ann Calabrese

(74) *Attorney, Agent, or Firm* — Young & Thompson

(30) **Foreign Application Priority Data**

Feb. 15, 2017 (EM) 003754803

(51) **LOC (11) Cl.** **06-04**

(52) **U.S. Cl.**
USPC **D6/682**

(58) **Field of Classification Search**

USPC D6/682, 682.3, 682.4, 682.5

CPC A47F 7/00; A47F 7/0021; G10G 5/00

See application file for complete search history.

(57) **CLAIM**

The ornamental design for a guitar stand, as shown and described.

(56) **References Cited**

U.S. PATENT DOCUMENTS

D353,729 S * 12/1994 MacOwan D6/682

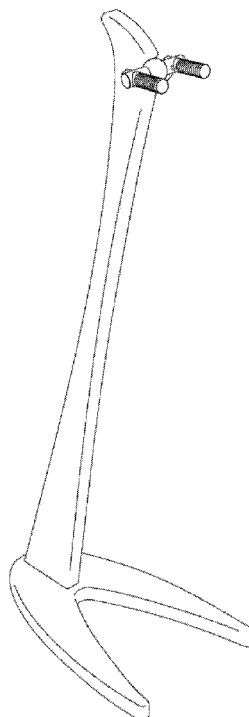
5,852,250 A * 12/1998 Cha G10G 5/00

84/327

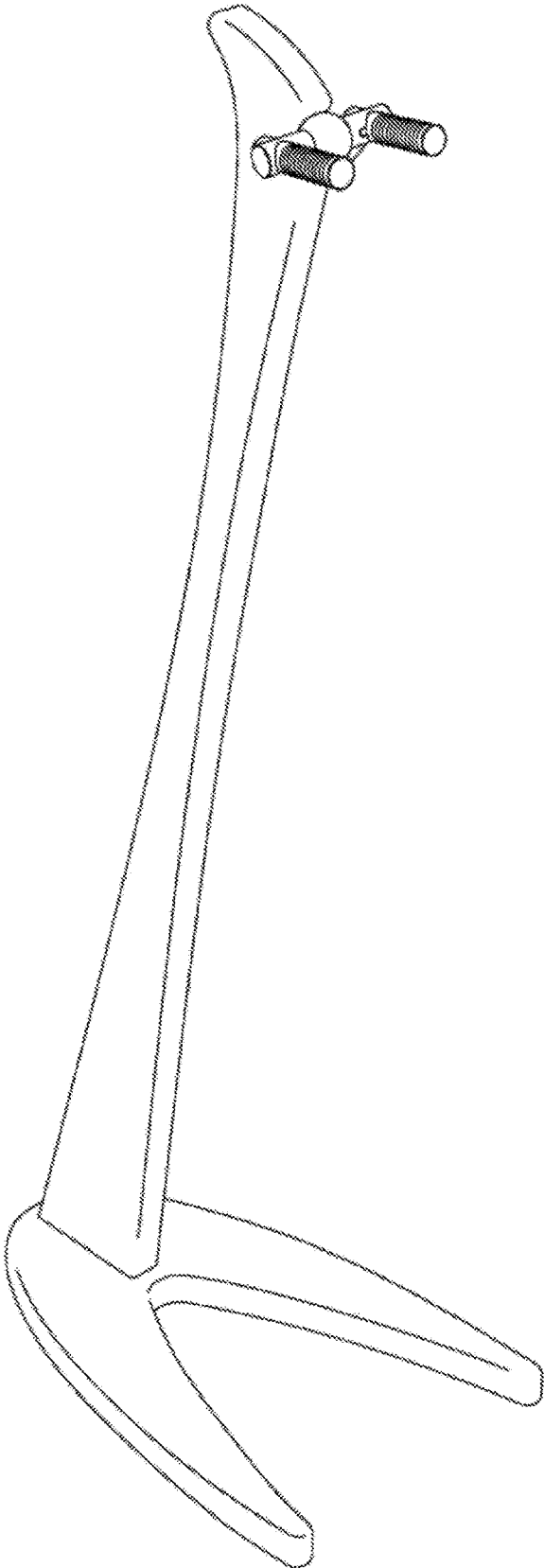
DESCRIPTION

1. Guitar stand
- 1.1 is a perspective view.
- 1.2 is a side view.
- 1.3 is a rear view.
- 1.4 is a front view.
- 1.5 is a top view.
- 1.6 is a bottom view.

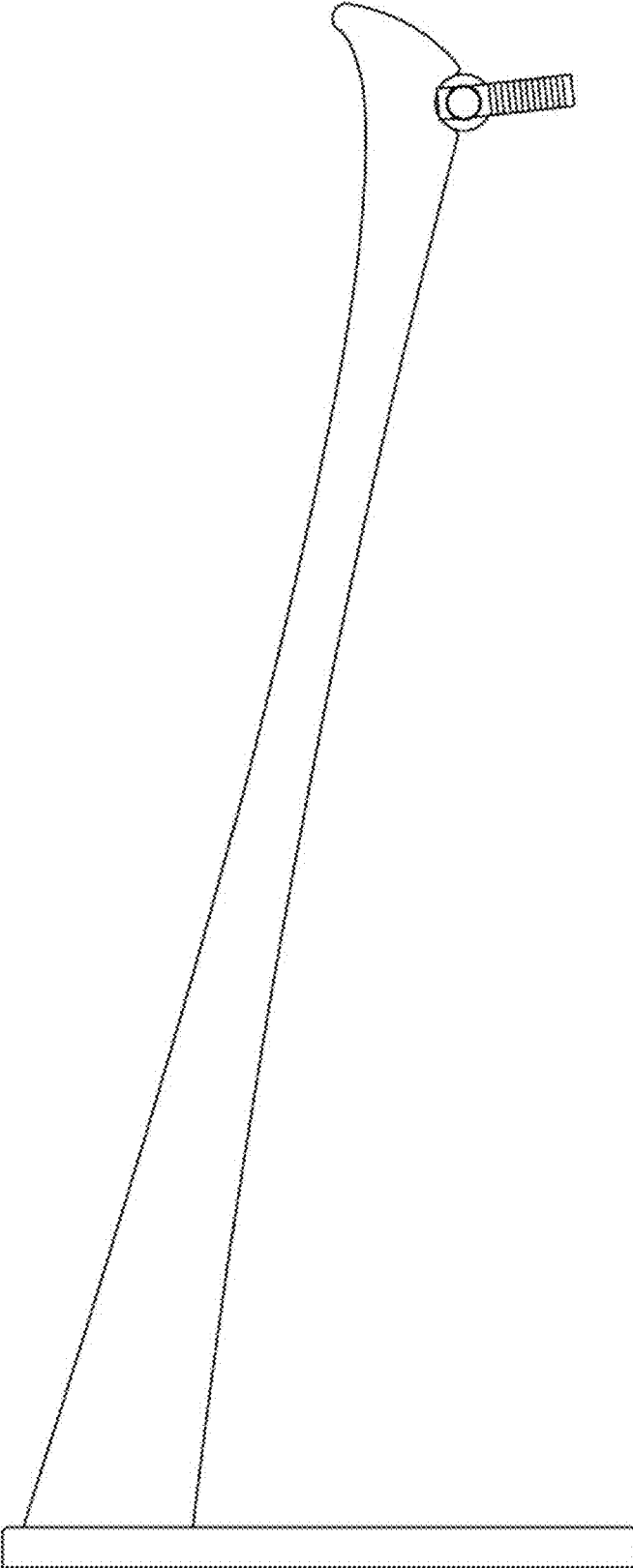
1 Claim, 6 Drawing Sheets



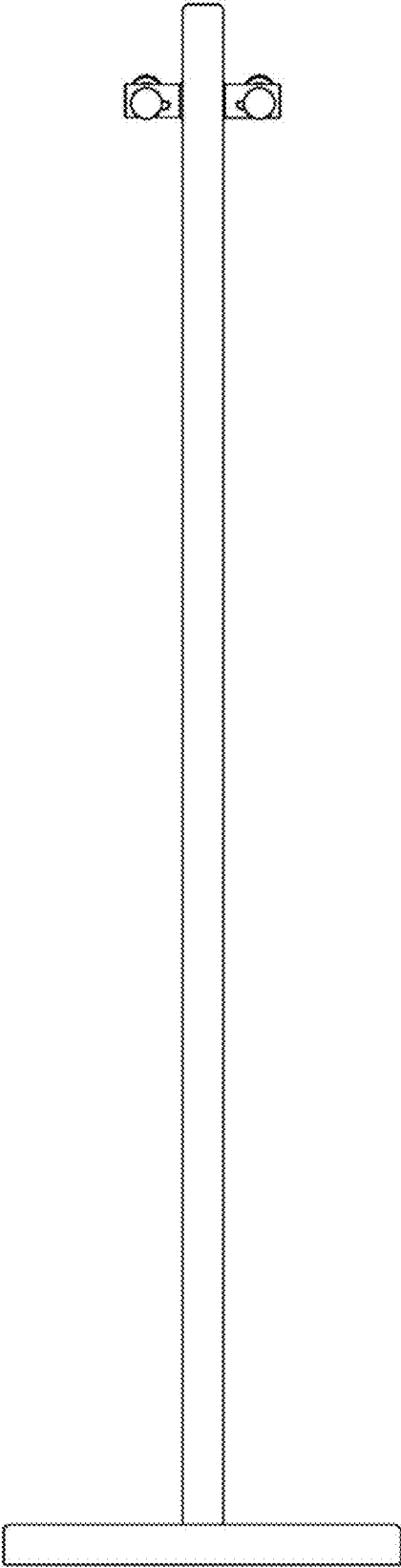
1.1



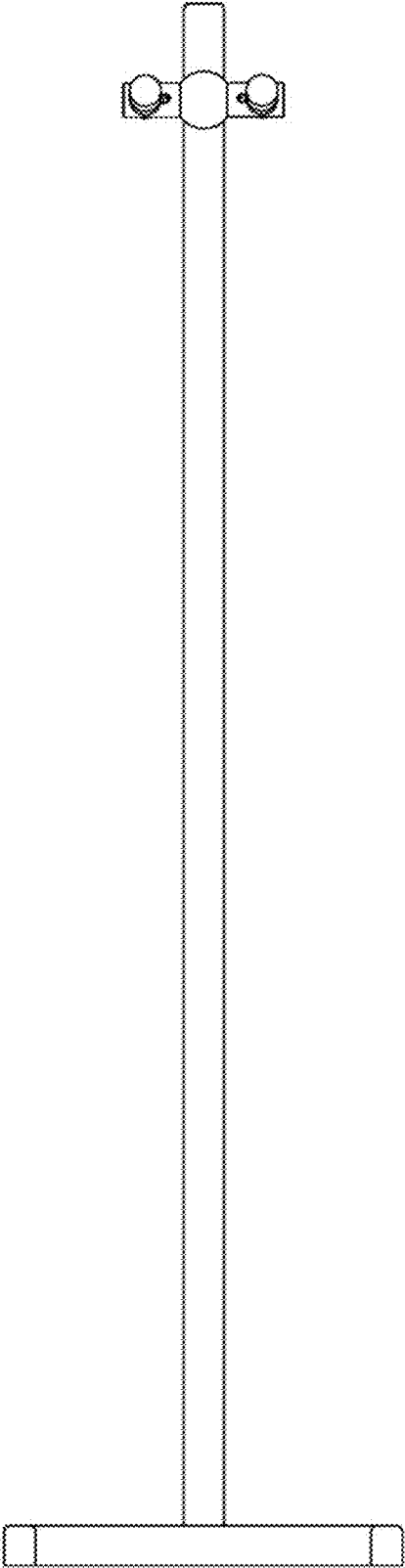
1.2



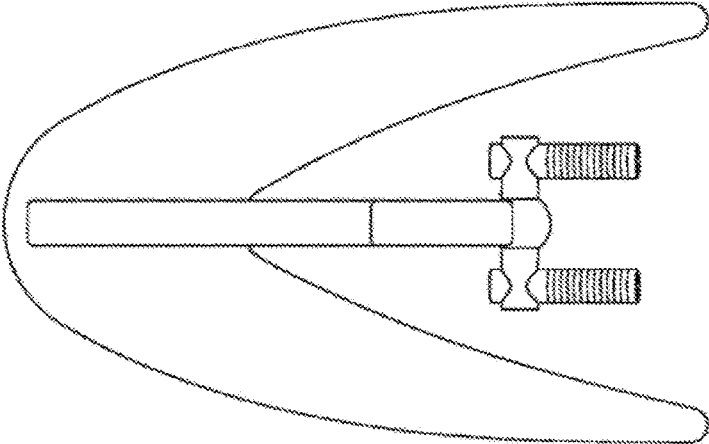
1.3



1.4



1.5



1.6

