



US00D838358S

(12) **United States Design Patent**  
**Xu**

(10) **Patent No.:** **US D838,358 S**

(45) **Date of Patent:** **\*\* Jan. 15, 2019**

(54) **MASK WITH SNORKEL**

(71) Applicant: **Shunhong Xu**, Guangdong (CN)

(72) Inventor: **Shunhong Xu**, Guangdong (CN)

(\*\*) Term: **15 Years**

(21) Appl. No.: **29/600,355**

(22) Filed: **Apr. 12, 2017**

(51) **LOC (11) Cl.** ..... **29-02**

(52) **U.S. Cl.**  
USPC ..... **D24/110.2; D24/110.4**

(58) **Field of Classification Search**  
USPC ..... D24/110-110.6, 127, 129; D29/110  
CPC ..... A61M 16/0616; A61M 16/0633; A61M  
16/06; A61M 16/0666; A61M 16/0683;  
A61M 16/0605; A61M 16/0622; A61M  
16/0644; A61M 16/0875; A61M 16/0816;  
A61M 16/08; B63C 11/205; B63C 11/16;  
B63C 11/186; B63C 11/12  
See application file for complete search history.

(56) **References Cited**

**U.S. PATENT DOCUMENTS**

D503,498	S *	3/2005	Canavan	.....	D29/110
D552,233	S *	10/2007	Trujillo	.....	D24/110.2
D582,547	S *	12/2008	Ungar	.....	D24/110.1
D593,197	S *	5/2009	Todd	.....	D24/110.2
D602,154	S *	10/2009	Ono	.....	D24/110.2
D668,327	S *	10/2012	Sumner	.....	D24/110.2
D668,758	S *	10/2012	Hall	.....	D24/110.2
D704,327	S *	5/2014	Lavoie	.....	D24/110.2
D704,328	S *	5/2014	Lavoie	.....	D24/110.2
D775,722	S *	1/2017	Caprice	.....	D24/110.2
D802,220	S *	11/2017	Farias	.....	D29/110
2001/0013346	A1 *	8/2001	Lemke	.....	B63C 11/16 128/201.11
2016/0127716	A1 *	5/2016	Ramiro	.....	H04N 13/044 348/53
2016/0297505	A1 *	10/2016	Caprice	.....	B63C 11/16
2017/0096204	A1 *	4/2017	Cucchia	.....	B63C 11/12
2017/0334531	A1 *	11/2017	Shiue	.....	A62B 9/02

**OTHER PUBLICATIONS**

Top 8 Best Full Face Snorkel Masks 2017, posted at vbestseller.com, earliest date reviewed on May 20, 2017, [online], acquired on Apr. 10, 2018. Available from Internet, <URL: https://vbestseller.com/best-full-face-snorkel-mask-reviews/> (Year: 2017).\*

Vaincre 180° Full Face Snorkel Mask, posted at amazon.com, earliest date reviewed on Apr. 25, 2016, [online], acquired on Apr. 10, 2018. Available from Internet, <URL: https://www.amazon.com/Vaincre-Snorkeling-Adjustable-Straps-See-Traditional/dp/B074MQLR9Q/ref=cm\_cr\_ar\_p\_d\_product\_top?ie=UTF8> (Year: 2016).\*

\* cited by examiner

*Primary Examiner* — Eric L. Goodman

*Assistant Examiner* — Aula Soroush

(74) *Attorney, Agent, or Firm* — ScienBiziP, P.C.

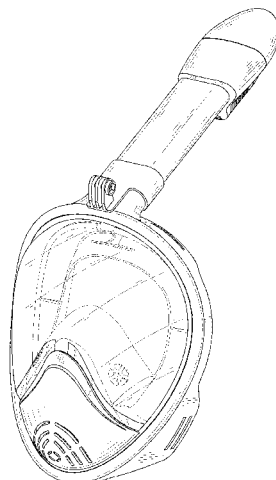
(57) **CLAIM**

The ornamental design for a mask with snorkel, as shown and described.

**DESCRIPTION**

FIG. 1 is a front perspective view of a mask with a snorkel showing my new design;  
FIG. 2 is a second rear perspective view thereof;  
FIG. 3 is a front elevational view thereof;  
FIG. 4 is a rear elevational view thereof;  
FIG. 5 is a left side view thereof;  
FIG. 6 is a right side view thereof;  
FIG. 7 is a top plan view thereof;  
FIG. 8 is a bottom plan view thereof; and,  
FIG. 9 is a rear perspective view of the mask with snorkel attached to belts, in an environment of use.  
The broken lines in FIG. 9 depicting belts form no part of the claimed design. The oblique shade lines in the drawings indicate transparency.

**1 Claim, 9 Drawing Sheets**



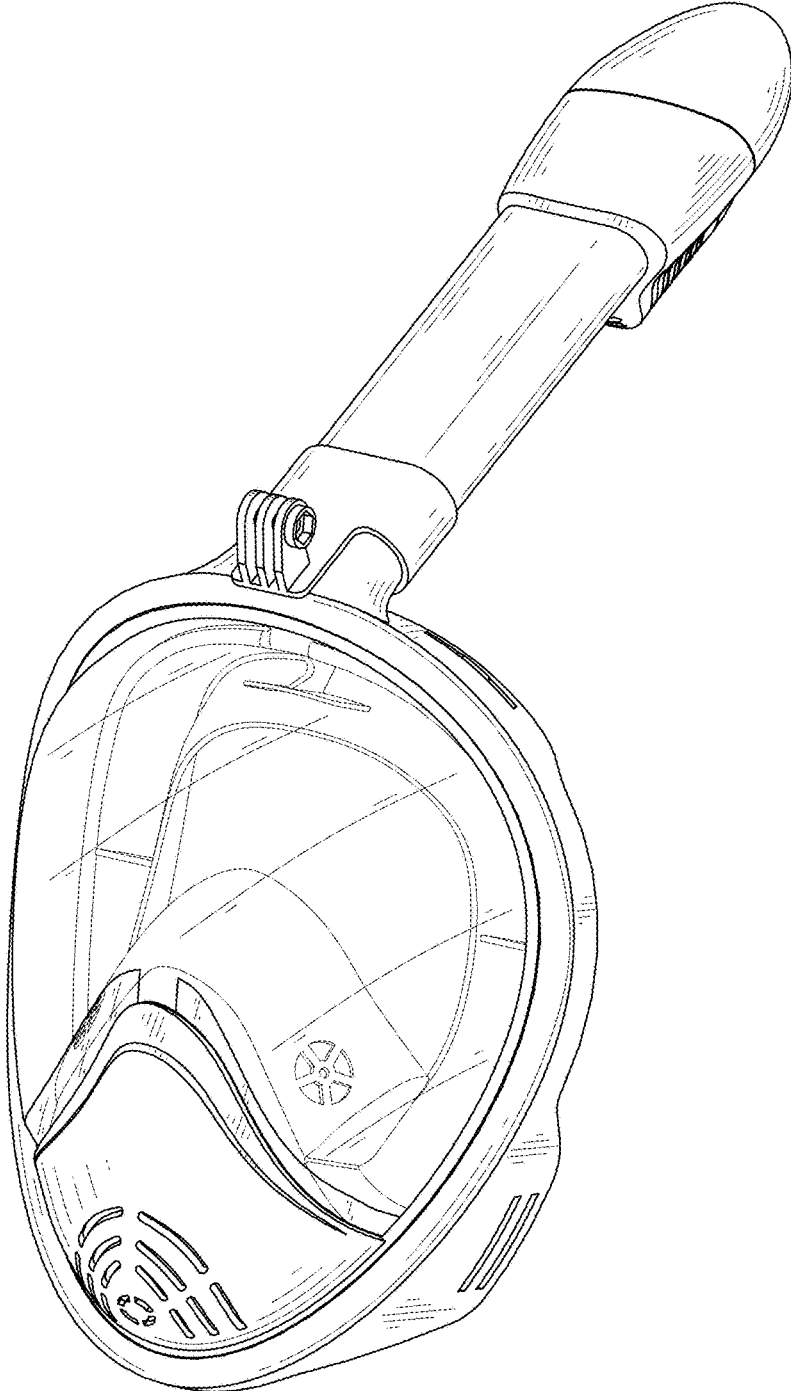


FIG. 1

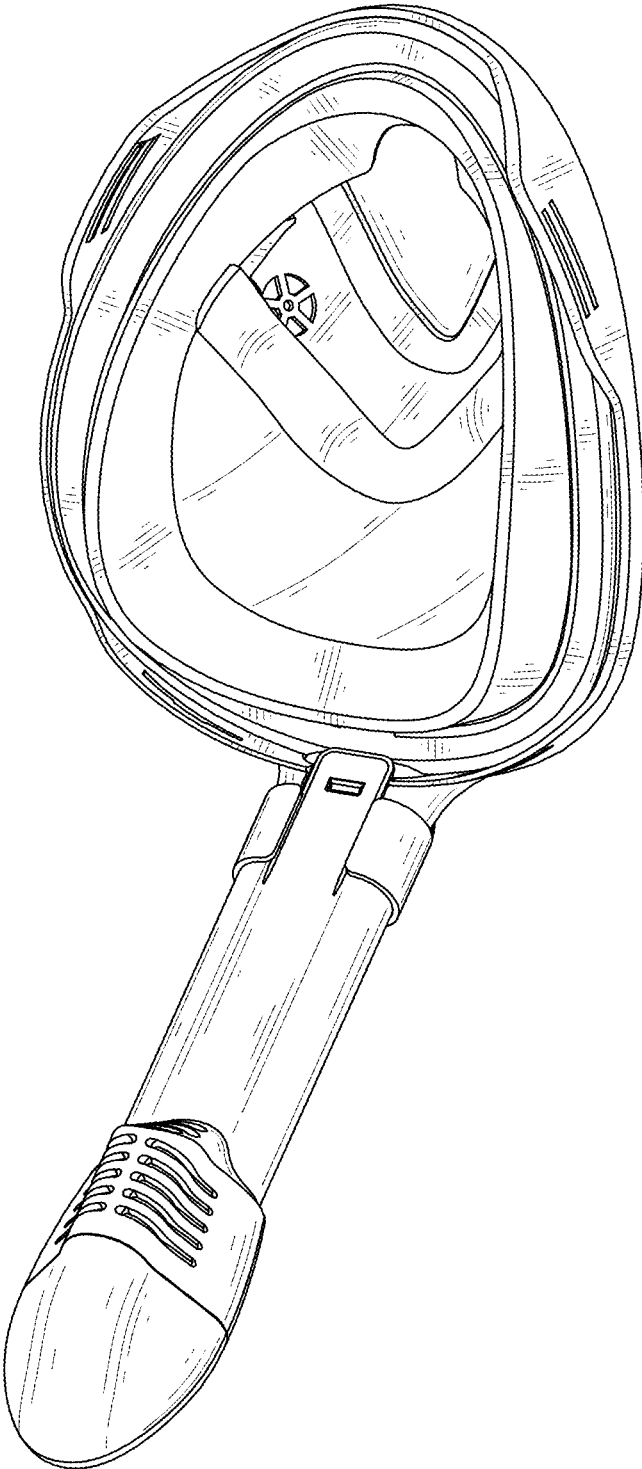


FIG. 2

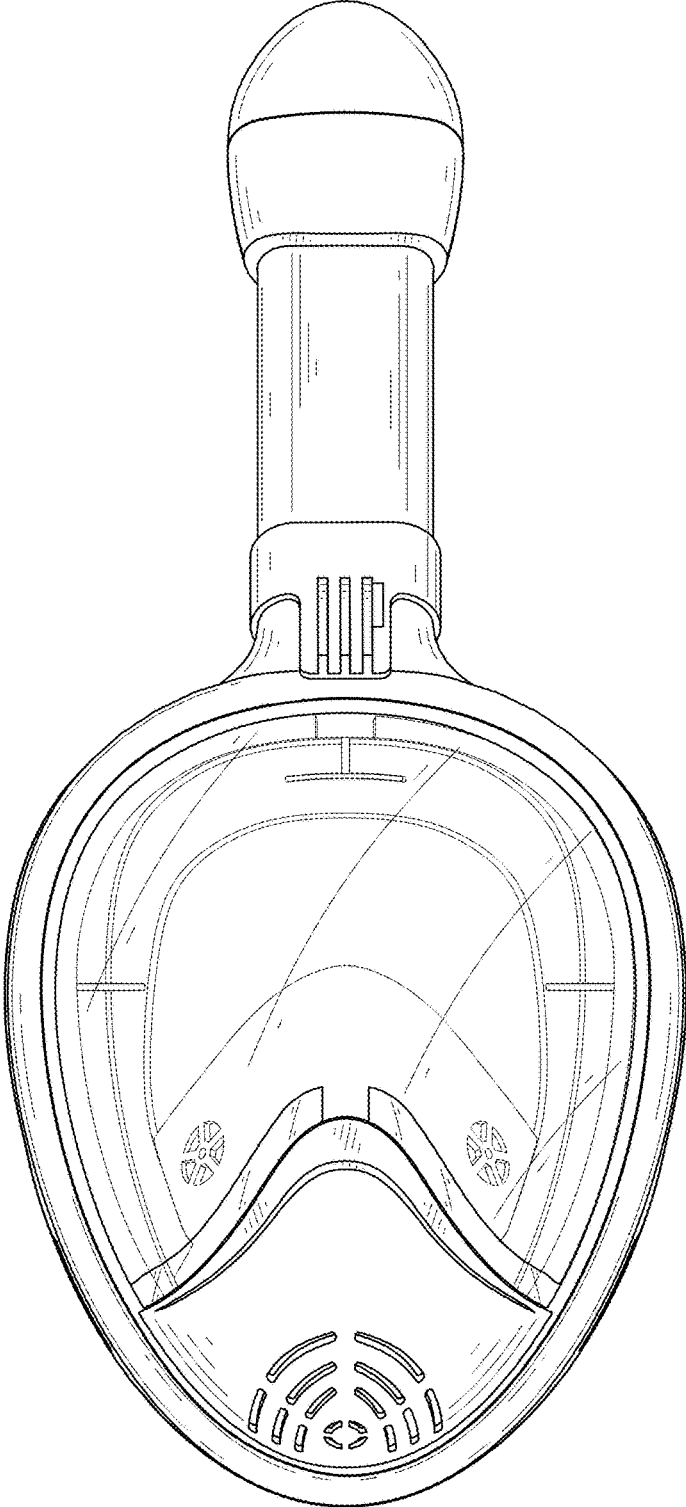


FIG. 3

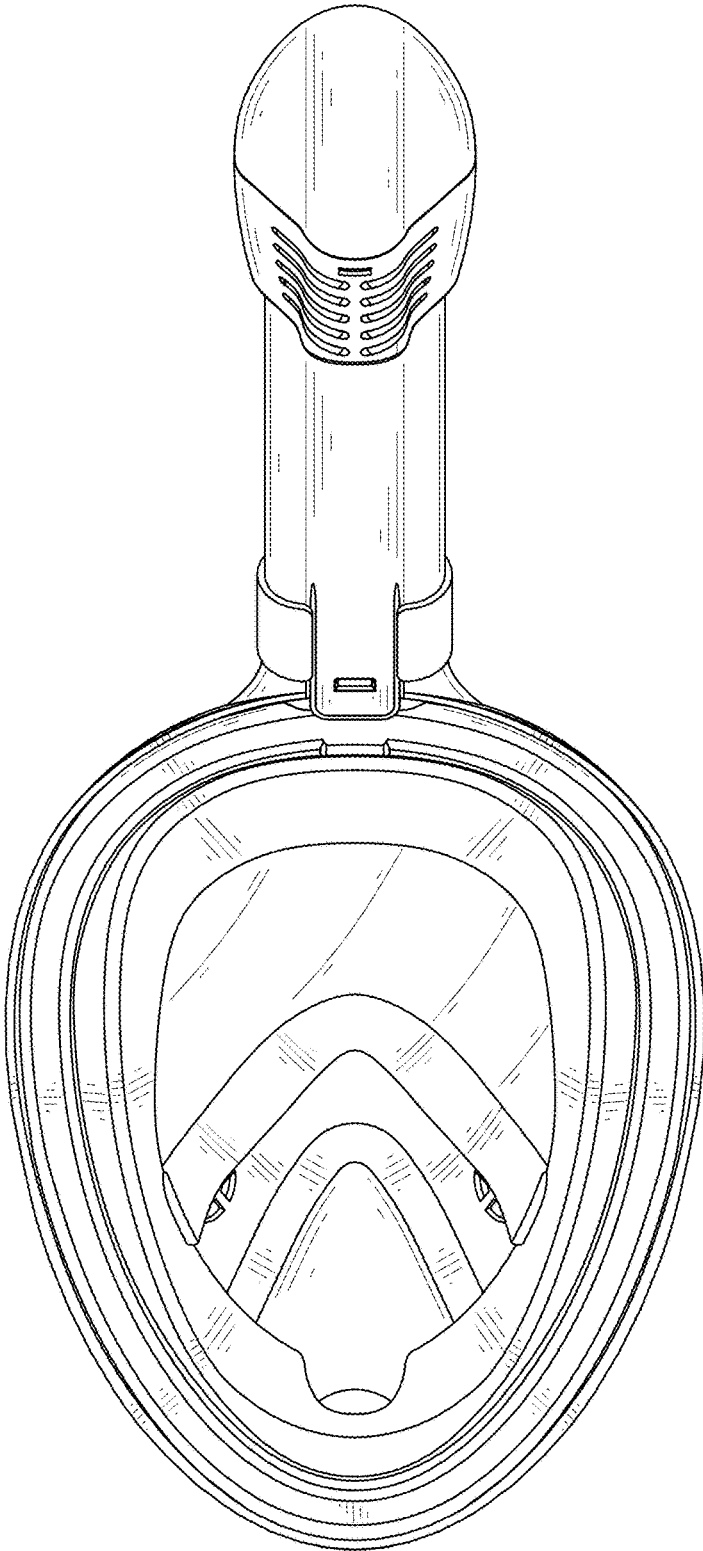


FIG. 4

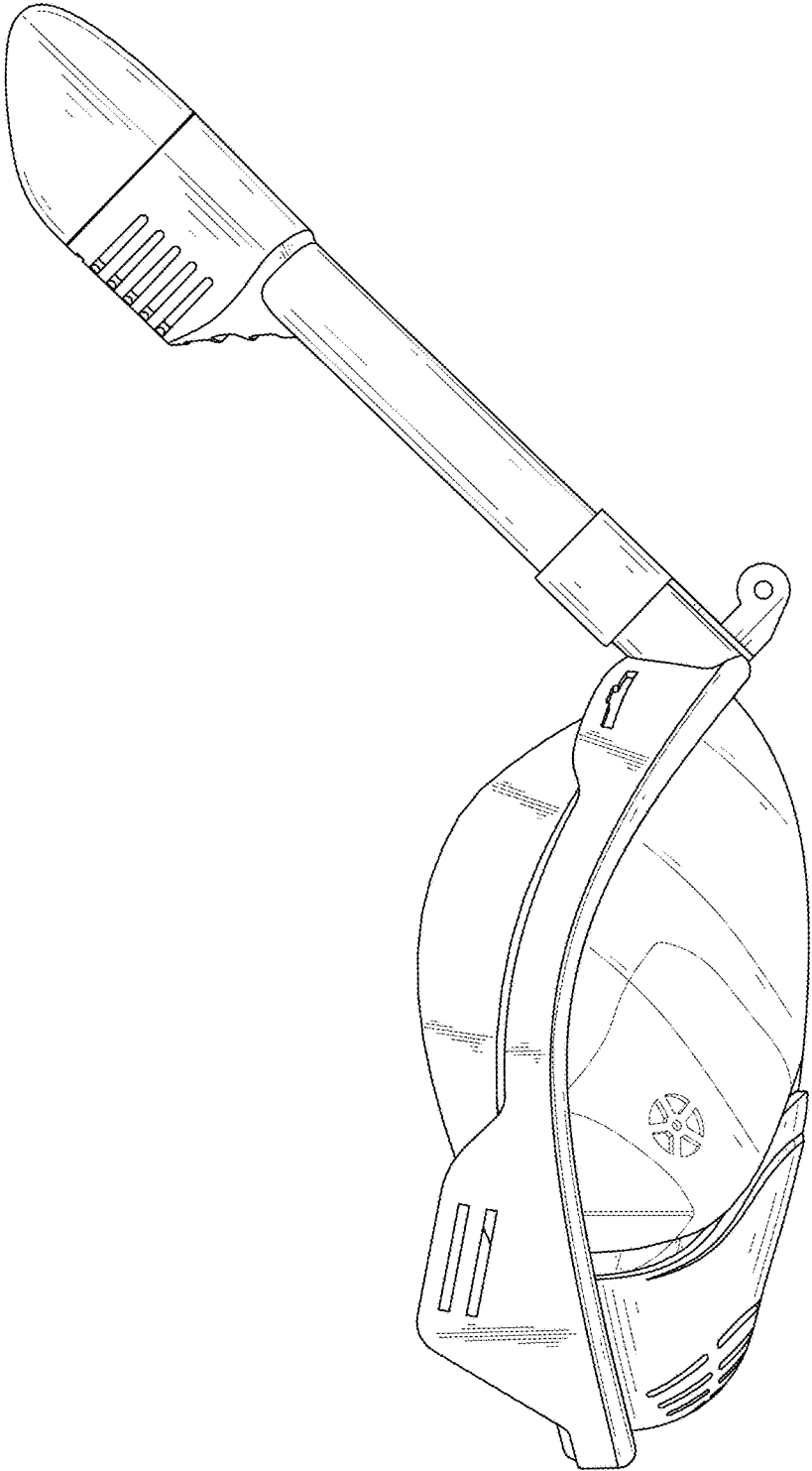


FIG. 5

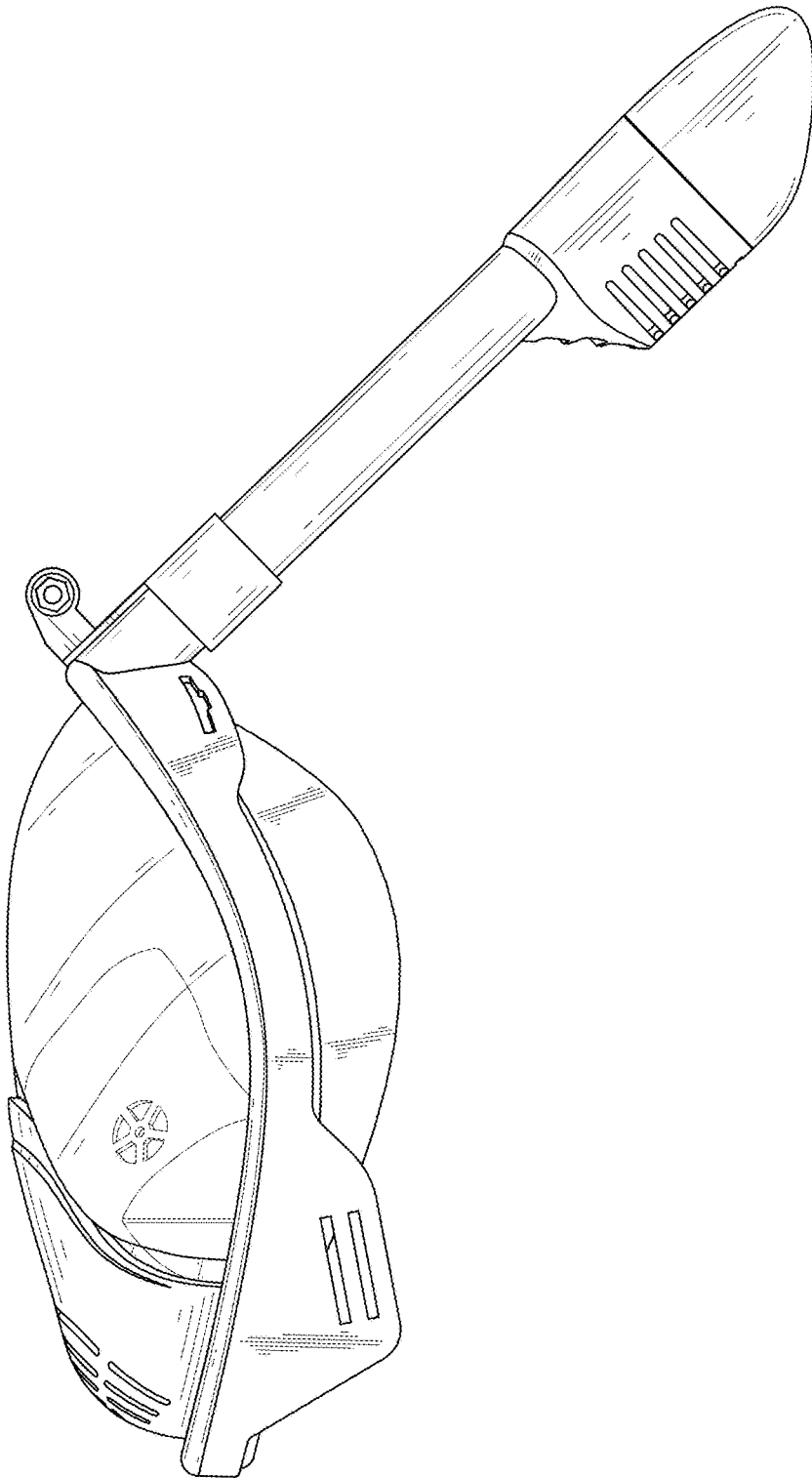


FIG. 6

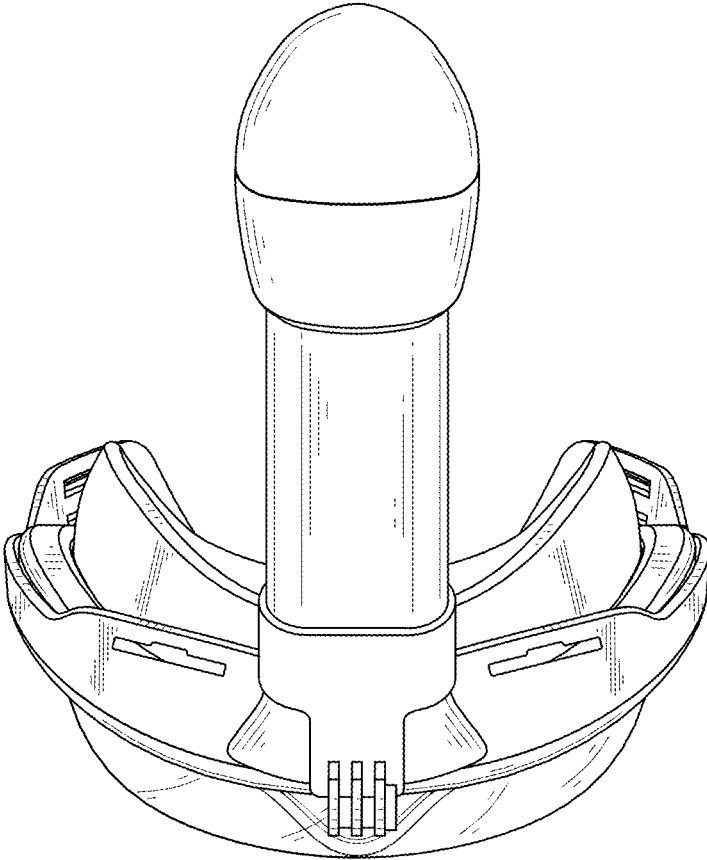


FIG. 7



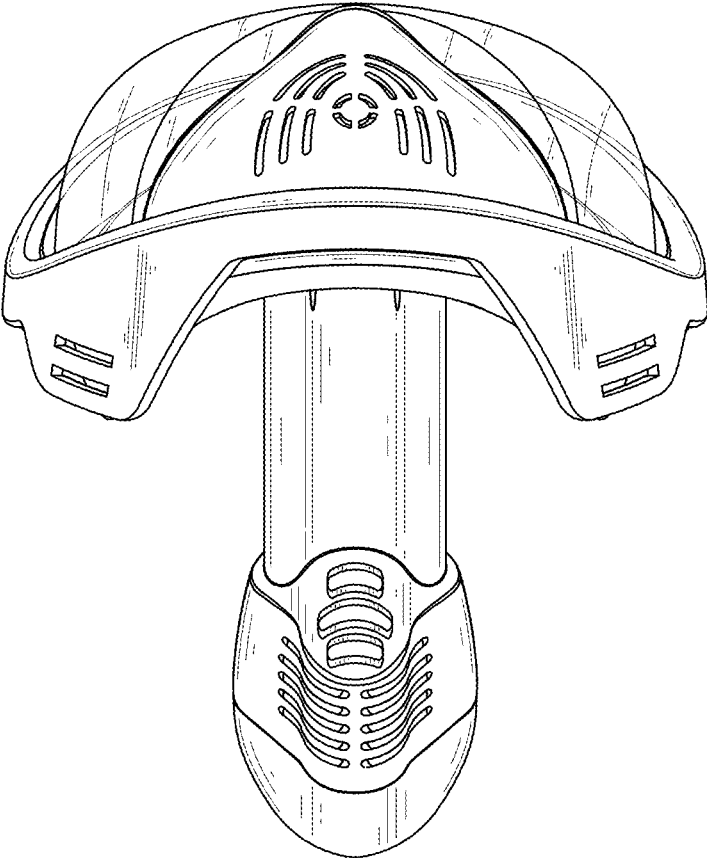


FIG. 8

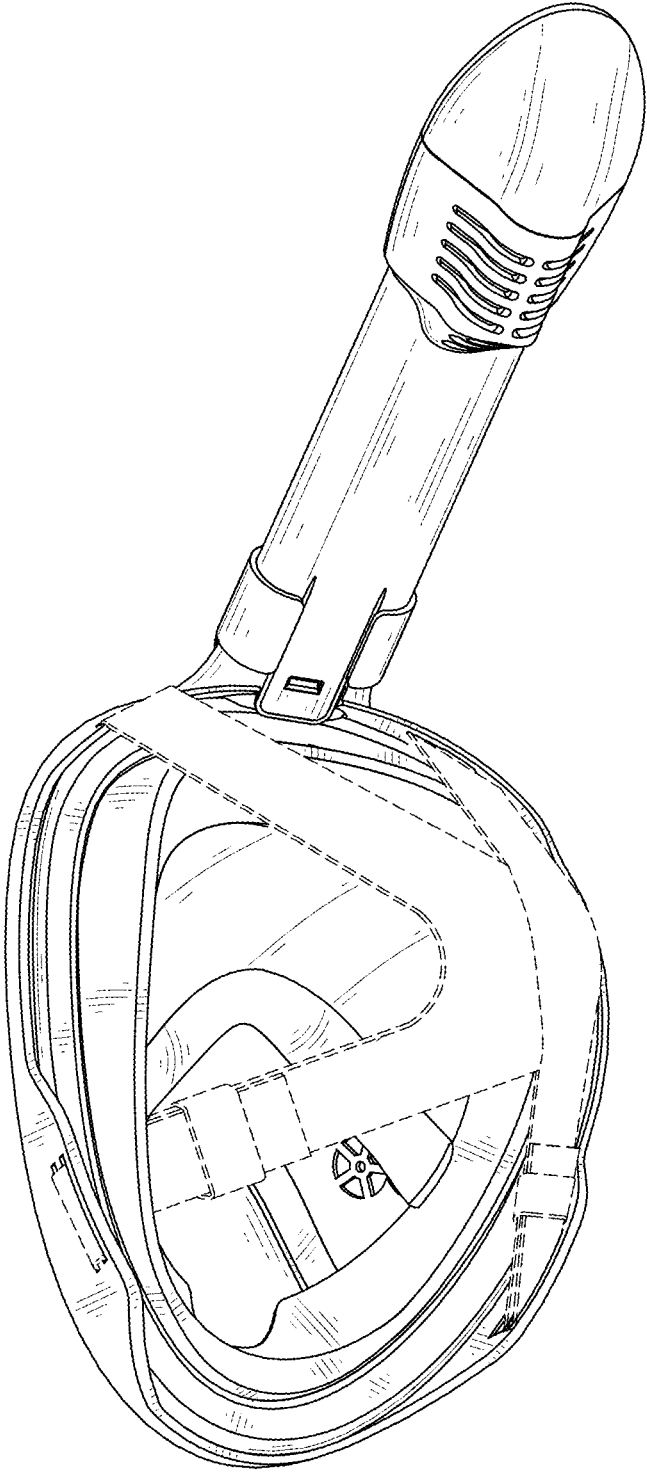


FIG. 9