



US00D684783S

(12) **United States Design Patent**
Hsiao

(10) **Patent No.:** **US D684,783 S**

(45) **Date of Patent:** **** Jun. 25, 2013**

(54) **CHAIR**

(76) Inventor: **Fu-Chih Hsiao**, Tainan (TW)

(**) Term: **14 Years**

(21) Appl. No.: **29/418,727**

(22) Filed: **Apr. 20, 2012**

(51) **LOC (9) Cl.** **06-01**

(52) **U.S. Cl.** **D6/366**
USPC

(58) **Field of Classification Search**
USPC D6/334-336, 364, 365, 366, 367,
D6/372, 373, 379, 380, 498, 500-502;
297/411.27, 284.3, 284.4, 284.7, 452.26,
297/452.29, 452.3, 452.32, 452.48, 452.63
See application file for complete search history.

(56) **References Cited**

U.S. PATENT DOCUMENTS

D438,392 S *	3/2001	Lucci et al.	D6/366
D467,444 S *	12/2002	Hess et al.	D6/373
D527,557 S *	9/2006	Reimers	D6/502

7,273,252 B2 *	9/2007	Iijima et al.	297/284.3
D577,217 S *	9/2008	Rothe	D6/379
D643,641 S *	8/2011	Figueroa	D6/366
D643,642 S *	8/2011	Figueroa	D6/366
D655,538 S *	3/2012	Kubryk	D6/500
D655,539 S *	3/2012	Kubryk	D6/500
D659,419 S *	5/2012	Huang	D6/366
2003/0127901 A1 *	7/2003	Lovato	297/452.48
2004/0245840 A1 *	12/2004	Tubergen et al.	297/452.63
2006/0238006 A1 *	10/2006	Baranov et al.	297/284.3

* cited by examiner

Primary Examiner — Mimosa De

(74) *Attorney, Agent, or Firm* — C. G. Mersereau; Nikolai & Mersereau, P.A.

(57) **CLAIM**

The ornamental design for a chair, as shown and described.

DESCRIPTION

FIG. 1 is a perspective view of a chair;
FIG. 2 is a front view thereof;
FIG. 3 is a back view thereof;
FIG. 4 is a left view thereof;
FIG. 5 is a right view thereof; and,
FIG. 6 is a top view thereof.

1 Claim, 6 Drawing Sheets

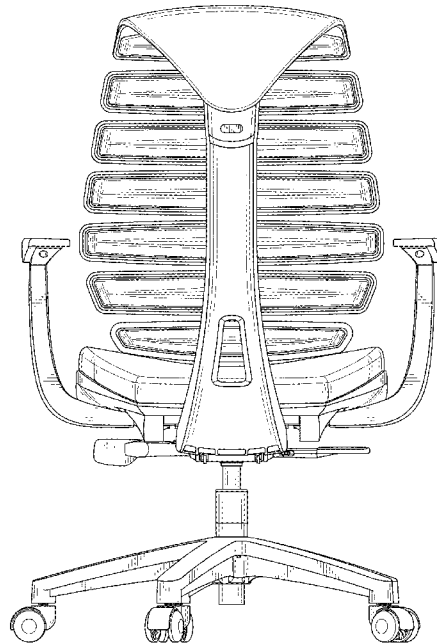
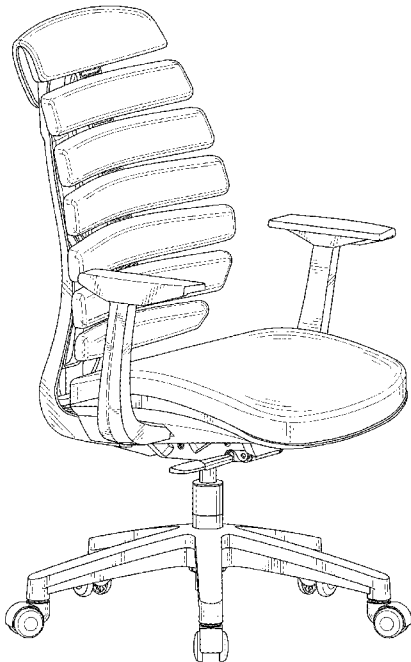




FIG.1

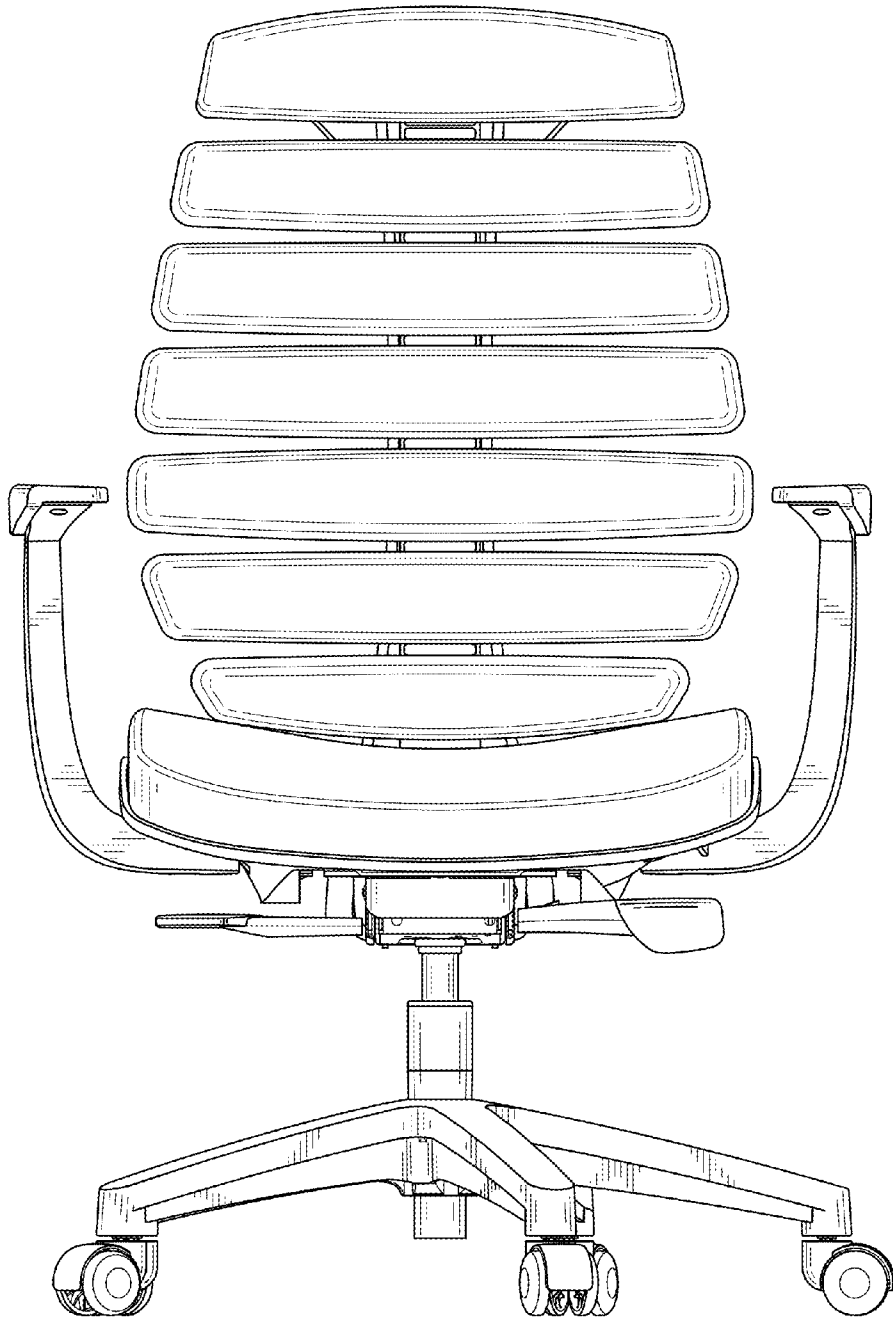


FIG.2

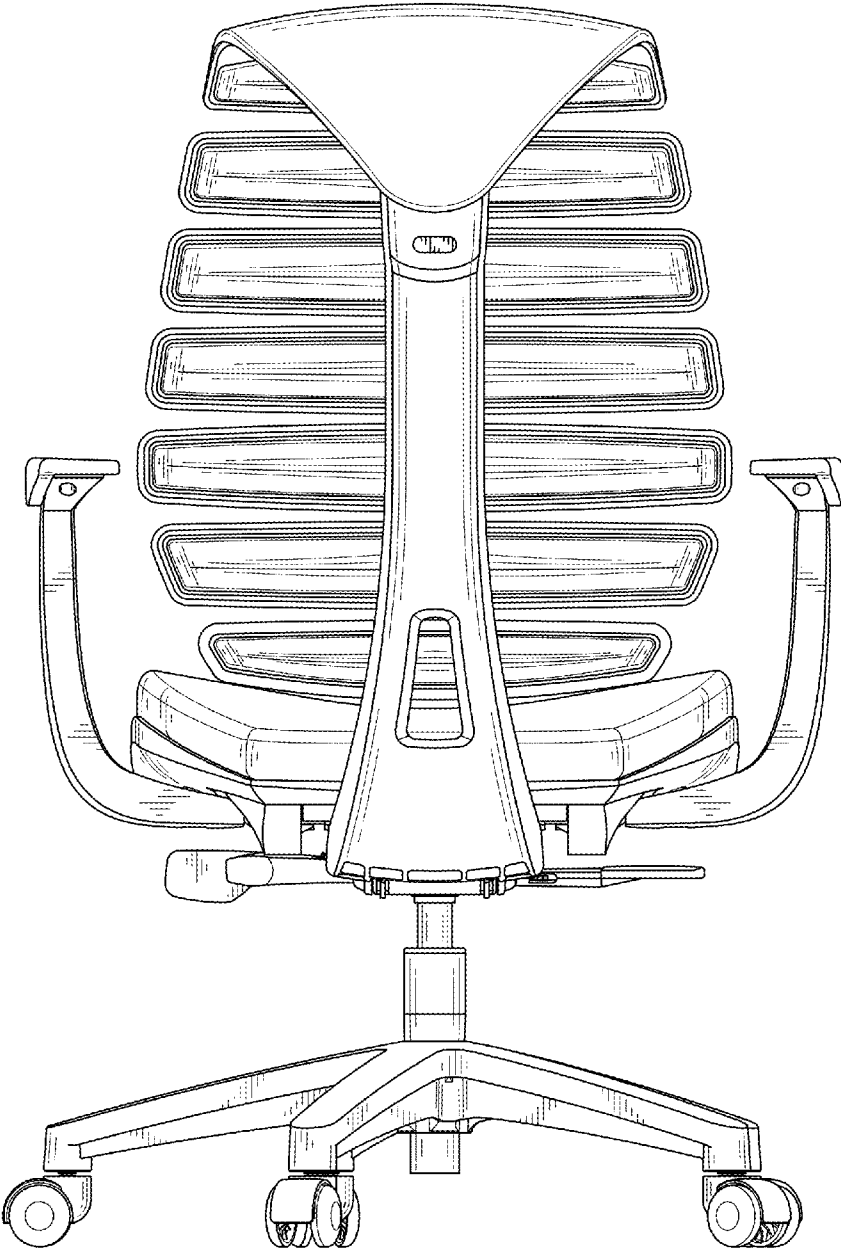


FIG.3

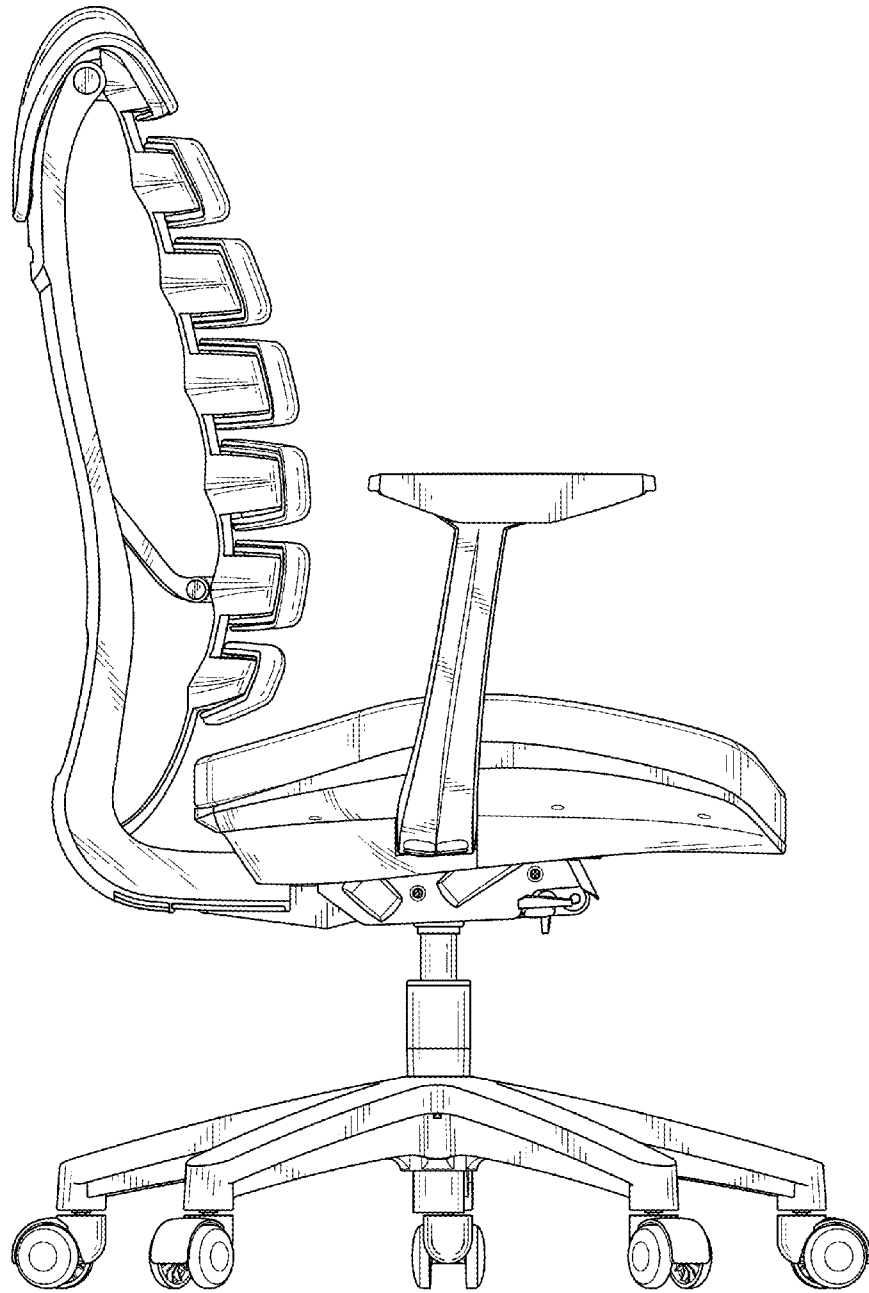


FIG. 4

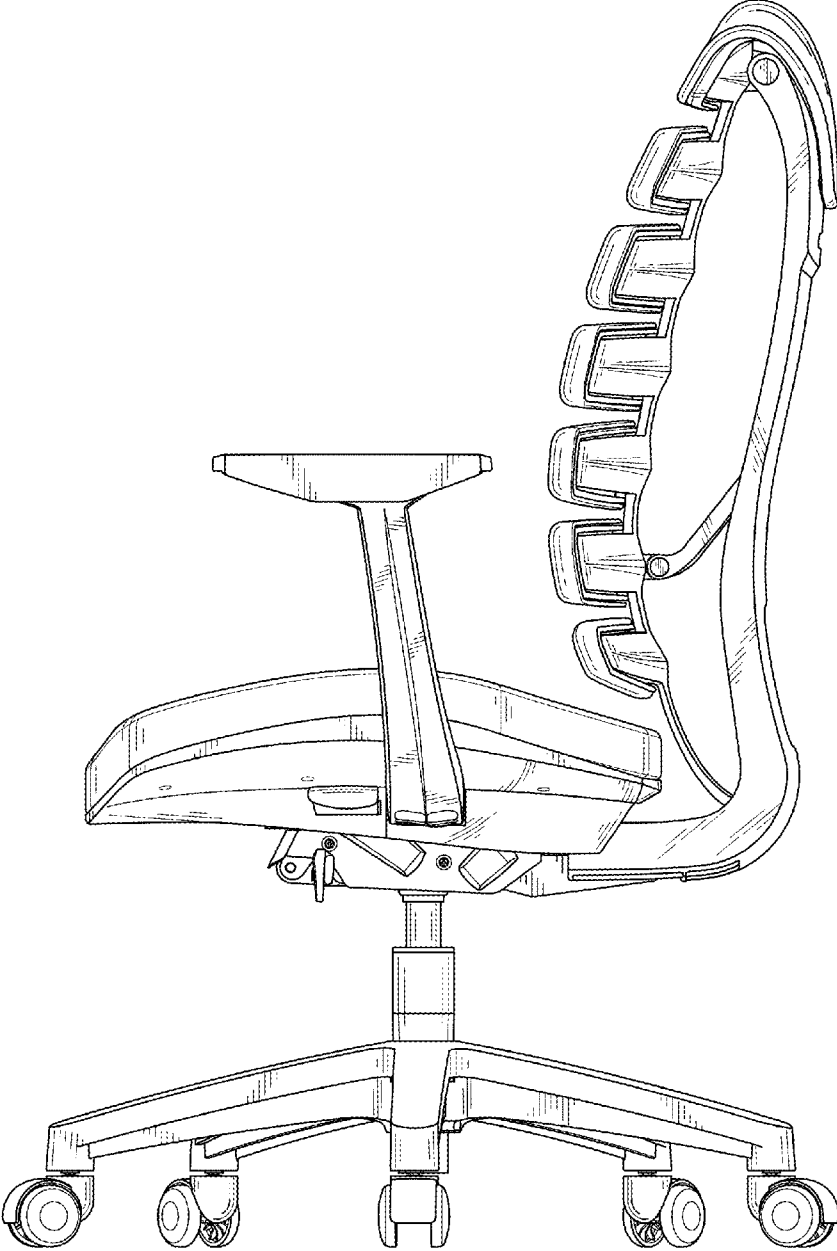


FIG.5

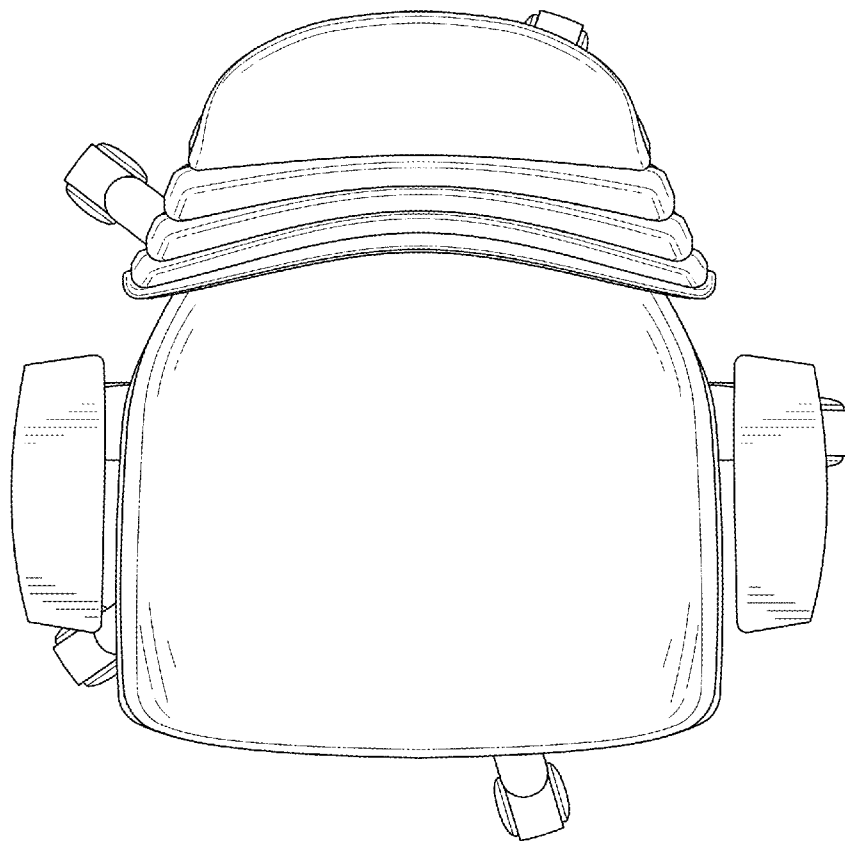


FIG.6