



(12) **United States Design Patent**  
**Lanter, Jr.**

(10) **Patent No.:** **US D897,976 S**  
(45) **Date of Patent:** **\*\* Oct. 6, 2020**

(54) **EXTERNAL PLUG FOR AN ELECTRICAL APPARATUS ENCLOSURE**

4,166,934 A 9/1979 Marrero  
D265,986 S \* 8/1982 Wearsch ..... D13/152  
5,072,071 A 12/1991 Cassity et al.  
D324,816 S 3/1992 LeDuc  
5,213,518 A 5/1993 Weidler  
5,272,592 A 12/1993 Harris et al.  
D343,825 S \* 2/1994 Enderby ..... D13/152

(71) Applicant: **Eaton Intelligent Power Limited,**  
Dublin (IE)

(72) Inventor: **Roger Wayne Lanter, Jr.,** Auburn, IL  
(US)

(73) Assignee: **Eaton Intelligent Power Limited,**  
Dublin (IE)

(\*\*) Term: **15 Years**

(21) Appl. No.: **29/676,315**

(22) Filed: **Jan. 10, 2019**

**Related U.S. Application Data**

(62) Division of application No. 29/598,236, filed on Mar. 23, 2017, now Pat. No. Des. 842,827.

(51) **LOC (12) Cl.** ..... **13-03**

(52) **U.S. Cl.**  
USPC ..... **D13/184**

(58) **Field of Classification Search**  
USPC ..... D13/112–118, 122, 184, 145, 147, 152;  
D14/231

CPC ..... H01H 21/00; H01H 21/04; H01R 13/516;  
H01R 13/518; H01R 13/52; H01R 13/46;  
H01R 13/50; H01R 13/506; H01R  
13/5213; H01R 25/006

See application file for complete search history.

(56) **References Cited**

**U.S. PATENT DOCUMENTS**

2,871,284 A 1/1959 Wills  
2,934,660 A 4/1960 Brunner  
3,315,556 A 4/1967 Speck  
3,767,977 A 10/1973 Bachman  
4,024,441 A 5/1977 Coyle et al.

**OTHER PUBLICATIONS**

Photographs of Prior Art Products—"GE loadcenter showing a two direction assembly into the enclosure and then a slide to the final position" (1 page) (date unknown, but prior to filing date of the present application).

(Continued)

*Primary Examiner* — Catherine S Posthauer

*Assistant Examiner* — Alison M Ofstun

(74) *Attorney, Agent, or Firm* — Myers Bigel, P.A.

(57) **CLAIM**

The ornamental design for an external plug for an electrical apparatus enclosure, as shown and described.

**DESCRIPTION**

FIG. 1 is a top, side perspective view of an external plug for an electrical apparatus enclosure, showing my new design; FIG. 2 is a bottom perspective view thereof, shown in an environment of use;

FIG. 3 is a long side view thereof;

FIG. 4 is an opposing long side view thereof;

FIG. 5 is an end view thereof;

FIG. 6 is an opposing end view thereof;

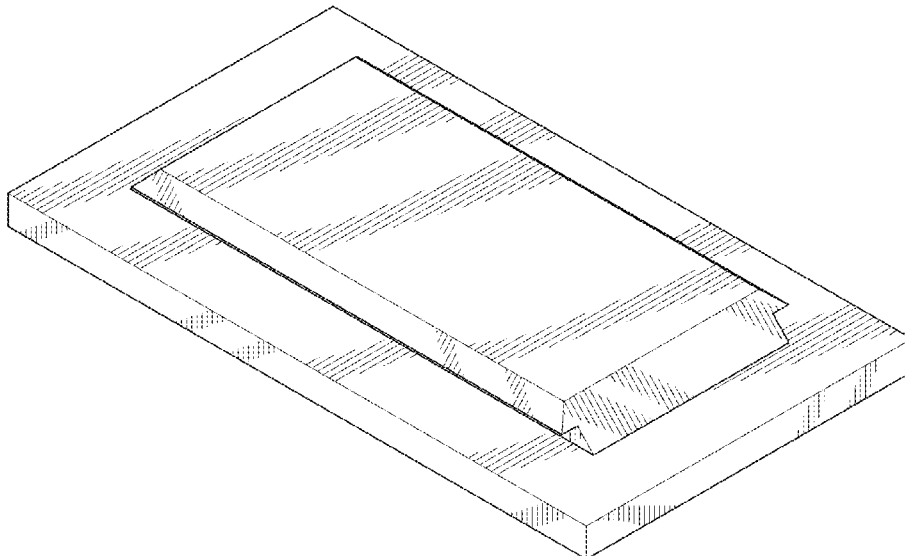
FIG. 7 is a top view thereof;

FIG. 8 is a bottom view thereof; and,

FIG. 9 is a bottom perspective view thereof.

The broken lines in FIG. 2 represent environmental subject matter and form no part of the claimed design.

**1 Claim, 6 Drawing Sheets**



(56)

References Cited

U.S. PATENT DOCUMENTS

5,307,243 A 4/1994 Sharp et al.  
 D370,463 S 6/1996 Nagele et al.  
 5,696,664 A 12/1997 Rose  
 D410,437 S 6/1999 Mowery  
 D419,966 S 2/2000 Mowery et al.  
 D424,026 S \* 5/2000 Kabat ..... D13/184  
 D449,279 S \* 10/2001 Takach, Jr. .... D13/152  
 D450,665 S \* 11/2001 Isely ..... D13/184  
 D566,657 S \* 4/2008 Shen ..... D13/152  
 D577,986 S \* 10/2008 Jarvis ..... D8/353  
 D584,700 S \* 1/2009 Urry ..... D13/184  
 7,485,817 B2 2/2009 Gottschalk  
 D606,033 S \* 12/2009 Sonntag ..... D13/184  
 D637,162 S \* 5/2011 Bridgman ..... D13/152  
 7,968,794 B1 6/2011 Baldwin  
 D684,935 S \* 6/2013 DeCosta ..... D13/152  
 D696,189 S \* 12/2013 Muto ..... D13/108  
 8,729,988 B1 5/2014 Maloney  
 D711,324 S \* 8/2014 Pritchett ..... D13/152  
 D739,833 S \* 9/2015 Hanazeder ..... D13/184  
 D742,340 S 11/2015 Krivonak et al.  
 D760,230 S 6/2016 Lizuka et al.  
 D767,514 S 9/2016 Summers et al.  
 D767,571 S 9/2016 Iizuka et al.  
 9,462,731 B2 10/2016 Onishi et al.

D776,619 S \* 1/2017 Gretz ..... D13/152  
 D781,237 S \* 3/2017 Wilkins, III ..... D13/152  
 D798,813 S 10/2017 Marinelli et al.  
 D814,420 S 4/2018 Chen  
 D816,049 S 4/2018 Kim  
 10,000,956 B2 6/2018 Whitaker et al.  
 D842,825 S 3/2019 Lanter, Jr.  
 D842,826 S 3/2019 Lanter, Jr.  
 D842,827 S \* 3/2019 Lanter, Jr. .... D13/184  
 2002/0182896 A1 12/2002 Welsh et al.  
 2009/0302724 A1 12/2009 Allard et al.  
 2011/0149483 A1 6/2011 Diaz et al.  
 2013/0241359 A1 9/2013 Naito et al.  
 2014/0185195 A1 7/2014 Samuelson  
 2015/0155849 A1 6/2015 Kikuchi

OTHER PUBLICATIONS

Photographs of Prior Art Products—"Siemens loadcenter showing a two direction assembly into the enclosure and then a slide to the final position" (1 page) (date unknown, but prior to filing date of the present application).

Photographs of Prior Art Products—"Square D Loadcenter showing a two direction assembly into the enclosure and then a slide to the final position" (1 page) (date unknown, but prior to filing date of the present application).

\* cited by examiner

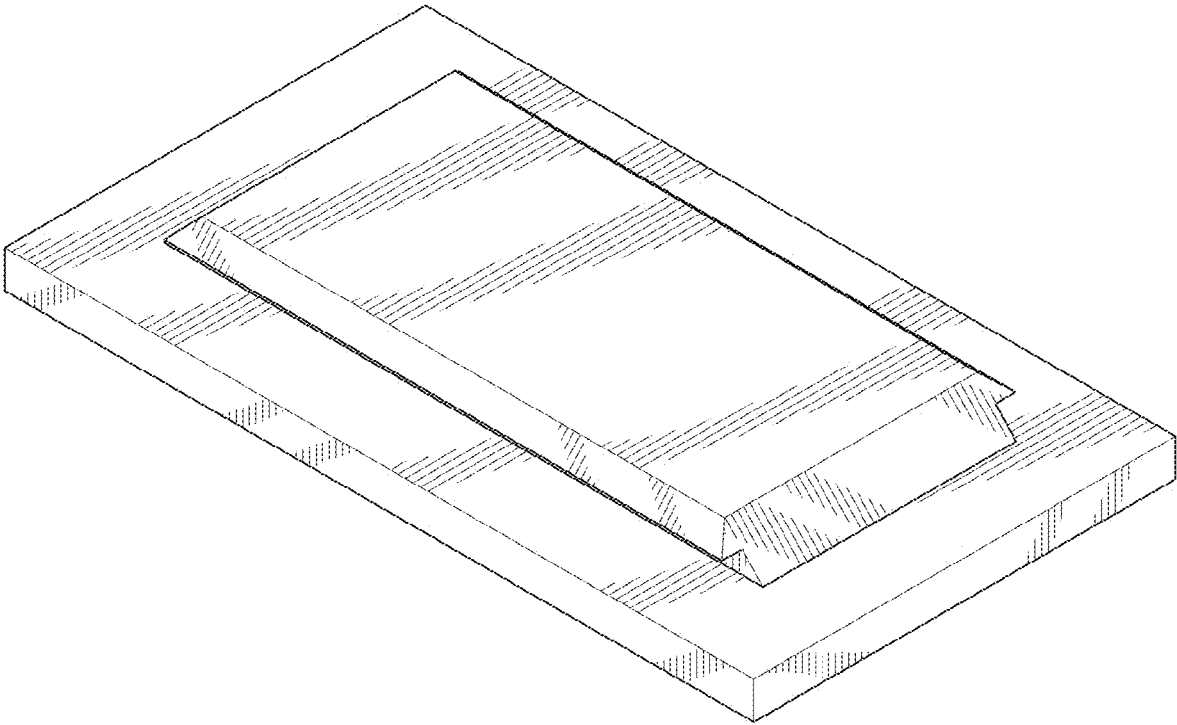


FIG. 1

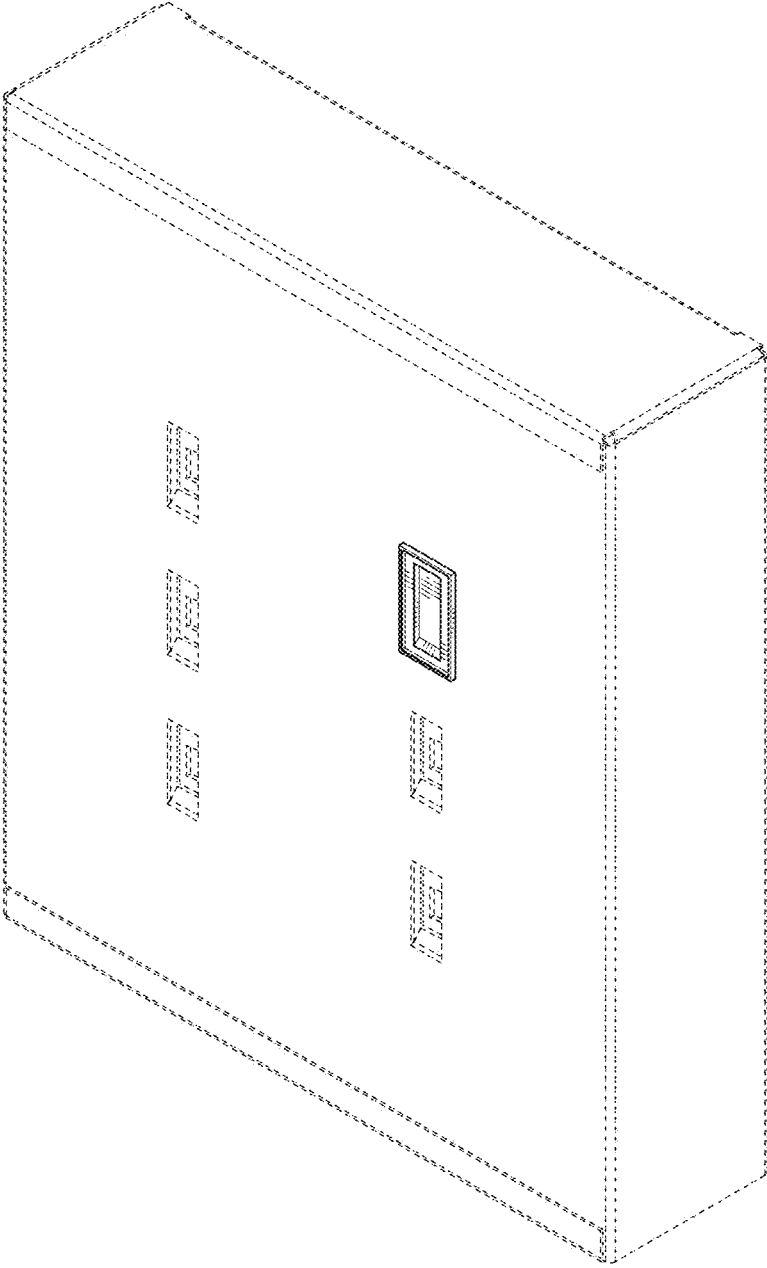


FIG. 2

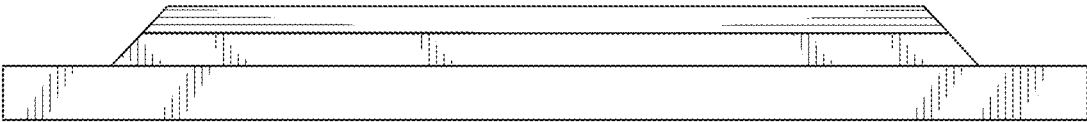


FIG. 3

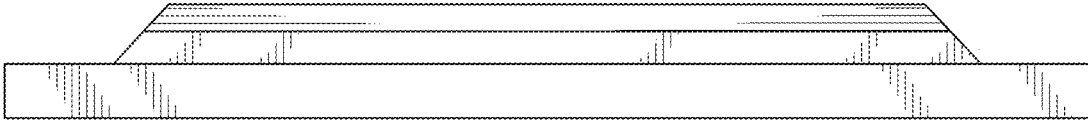


FIG. 4

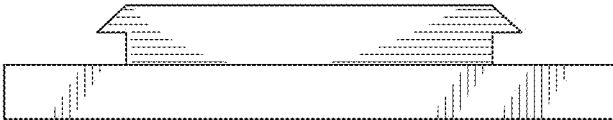


FIG. 5

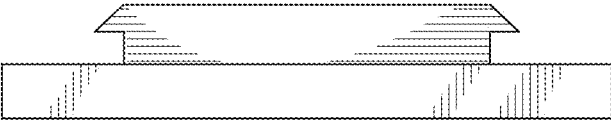


FIG. 6

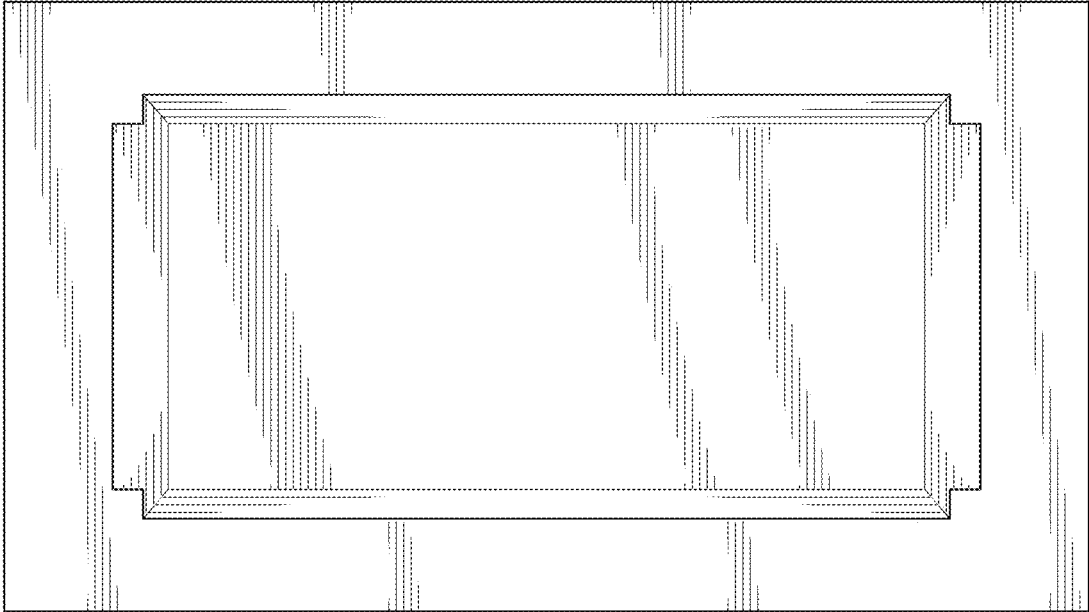


FIG. 7

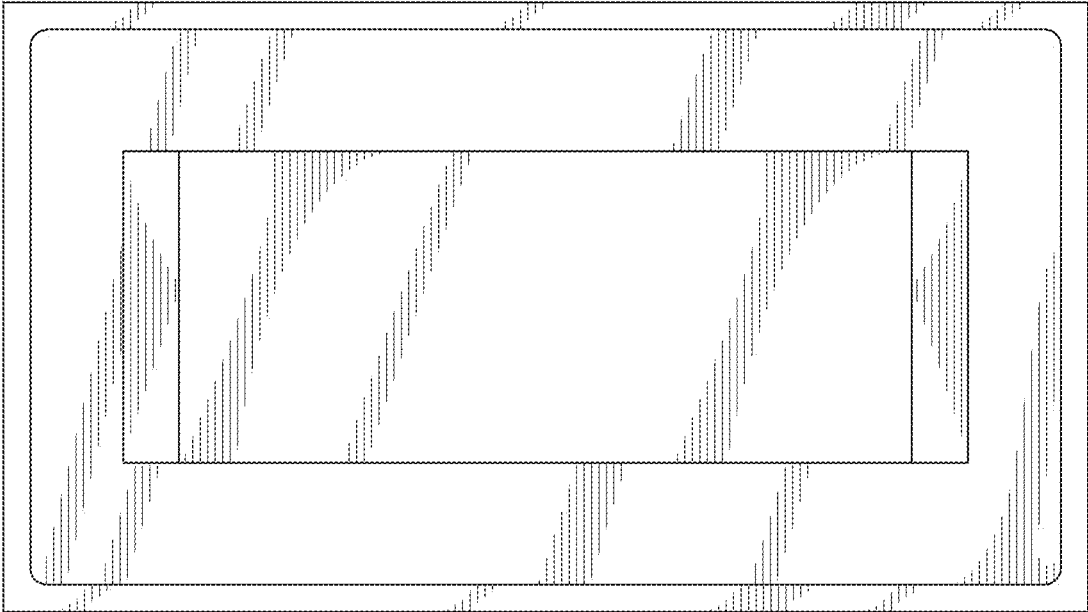


FIG. 8

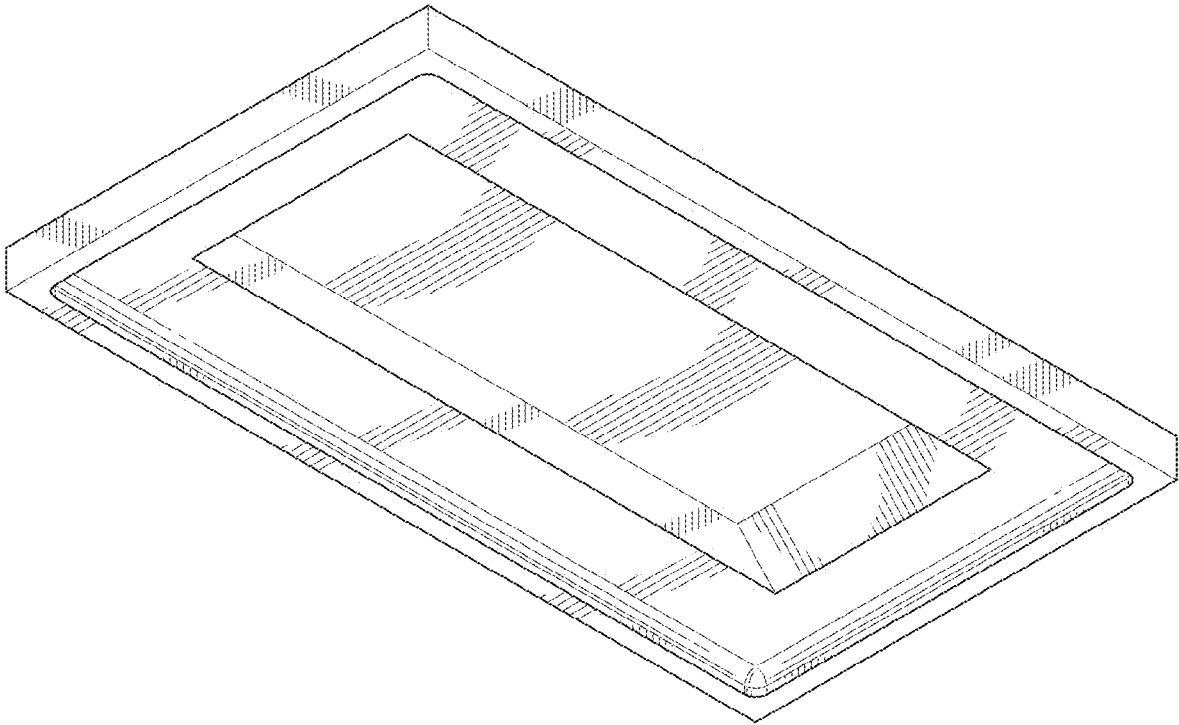


FIG. 9