



US00D617722S

(12) **United States Design Patent**  
**Zhao**

(10) **Patent No.:** **US D617,722 S**

(45) **Date of Patent:** **\*\* Jun. 15, 2010**

(54) **FRONT FACE OF A VEHICLE WHEEL**

(76) Inventor: **John Zhao**, 283 E. Garvey Ave.,  
Monterey Park, CA (US) 91755

(\*\*) Term: **14 Years**

(21) Appl. No.: **29/353,656**

(22) Filed: **Jan. 12, 2010**

(51) **LOC (9) Cl.** ..... **12-16**

(52) **U.S. Cl.** ..... **D12/211**

(58) **Field of Classification Search** ..... D12/204-213;  
301/37.101, 64.101, 65, 64.201

See application file for complete search history.

(56) **References Cited**

**U.S. PATENT DOCUMENTS**

D466,067 S *	11/2002	Muzzarelli .....	D12/211
D502,135 S *	2/2005	Weld .....	D12/211
D521,437 S *	5/2006	Long .....	D12/209
D542,726 S *	5/2007	Hieke .....	D12/209
D553,067 S *	10/2007	Muzzarelli .....	D12/211
D567,739 S *	4/2008	Kim .....	D12/211

D572,185 S *	7/2008	Pollmann .....	D12/211
D586,715 S *	2/2009	Cortes .....	D12/211
D589,427 S *	3/2009	Scheu .....	D12/211
D594,803 S *	6/2009	Pollmann .....	D12/211
D603,778 S *	11/2009	Chung .....	D12/211

\* cited by examiner

*Primary Examiner*—Stacia Cadmus

(74) *Attorney, Agent, or Firm*—Procopio, Cory, Hargreaves  
& Savitch LLP

(57) **CLAIM**

The ornamental design for a front face of a vehicle wheel, as shown and described.

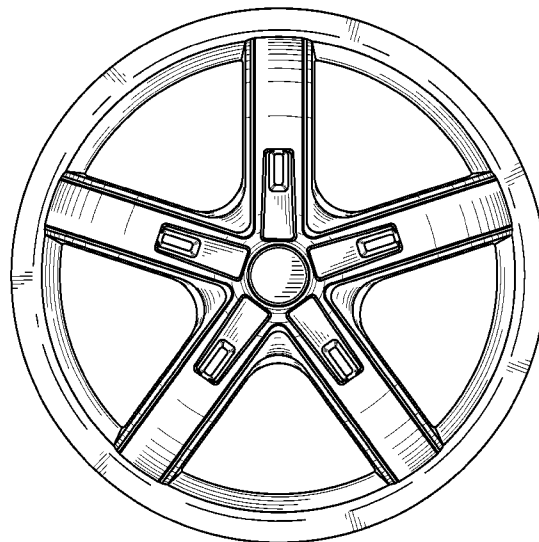
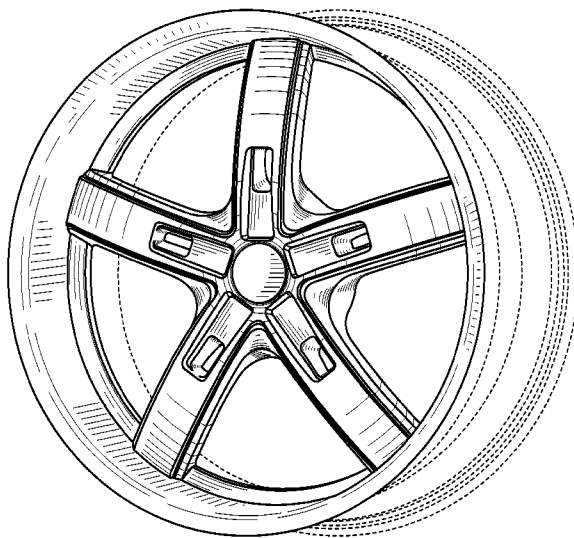
**DESCRIPTION**

FIG. 1 is a perspective view of a front face of a vehicle wheel embodying my new design; and,

FIG. 2 is a front view thereof.

The broken lines are for illustrative purposes only and form no part of the claimed design.

**1 Claim, 2 Drawing Sheets**



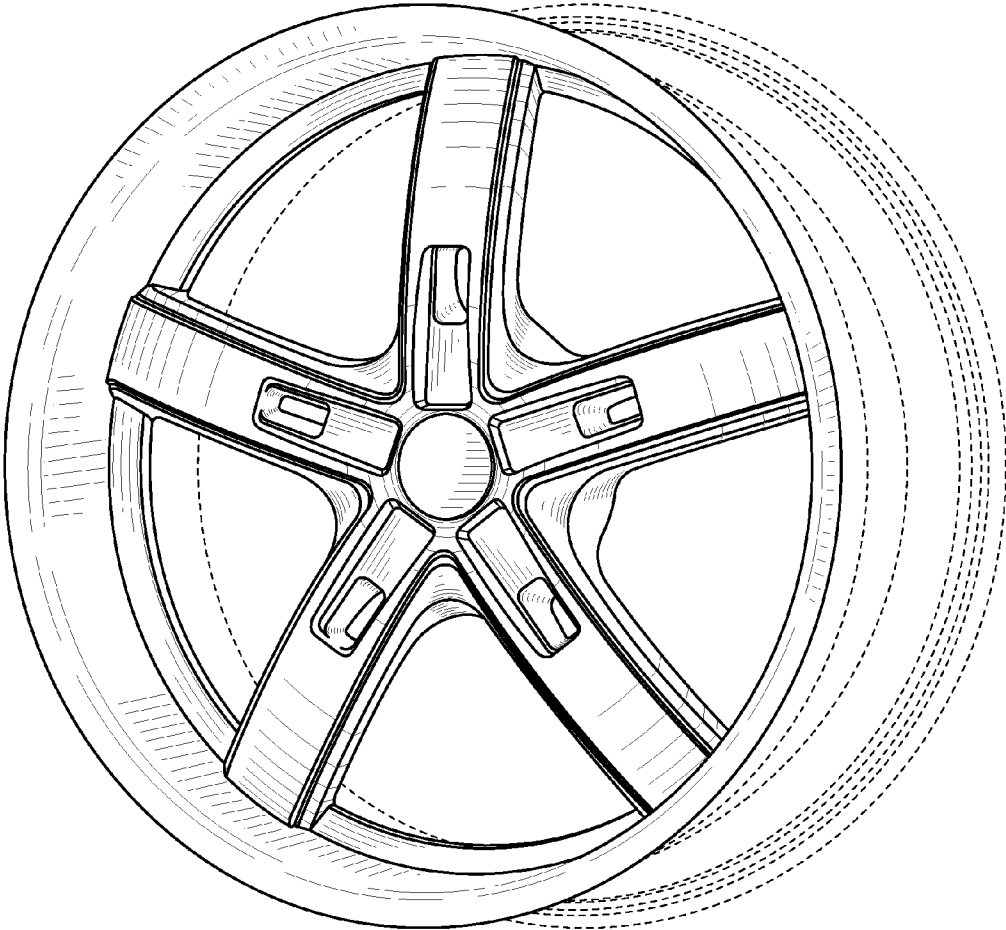
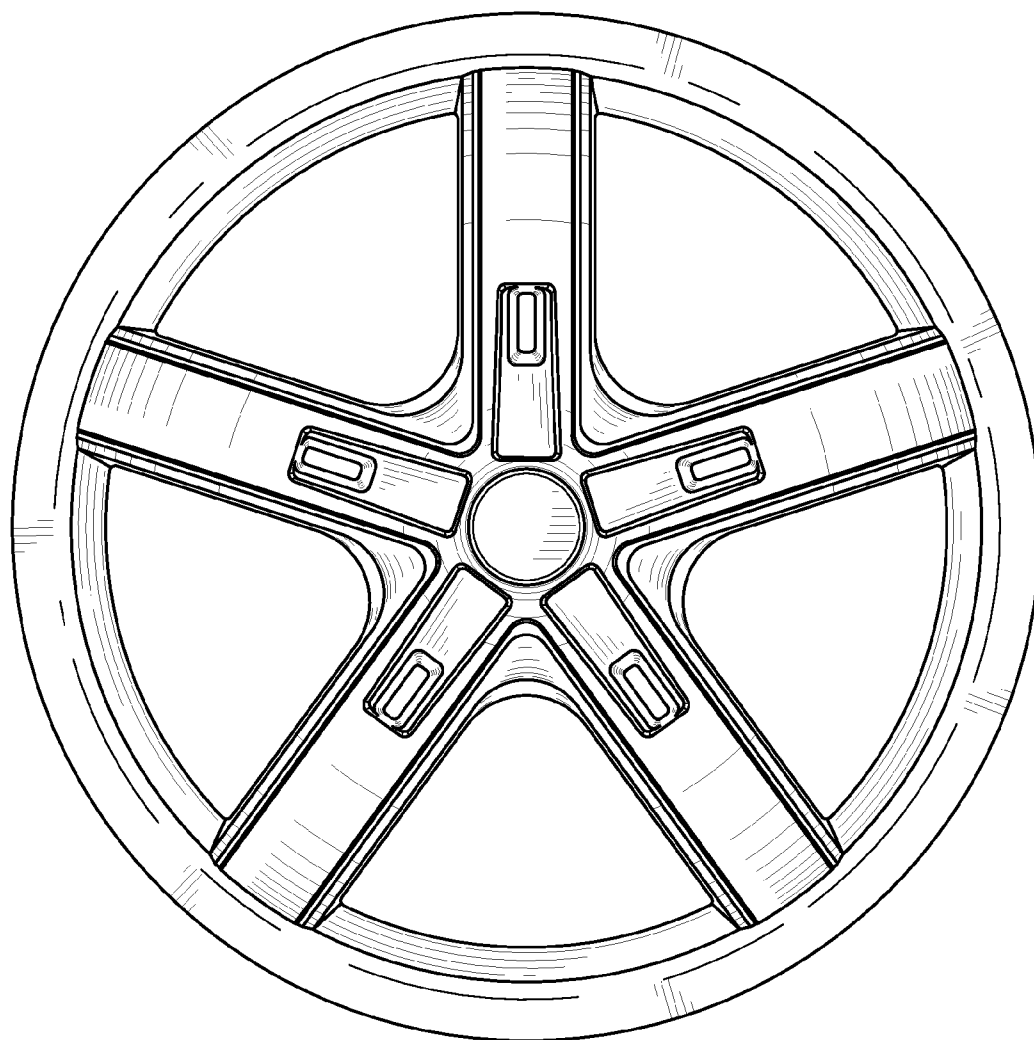


FIG. 1



**FIG. 2**