

US00D390393S

**United States Patent** [19]  
**Sharpe**

[11] **Patent Number: Des. 390,393**  
[45] **Date of Patent: \*\*Feb. 10, 1998**

[54] **SOAP DISH**

[75] **Inventor: Norton Sharpe, Los Angeles, Calif.**

[73] **Assignee: Franklin Brass Manufacturing Company, Rancho Dominguez, Calif.**

[\*\*] **Term: 14 Years**

[21] **Appl. No.: 56,202**

[22] **Filed: Jun. 25, 1996**

**Related U.S. Application Data**

[63] **Continuation of Ser. No. 40,892, Jun. 29, 1995, abandoned.**

[51] **LOC (6) Cl. .... 07-07**

[52] **U.S. Cl. .... D6/540**

[58] **Field of Search ..... D6/536-540; 211/13, 211/86, 88, 126, 134; 248/309.1; 206/77.1**

[56] **References Cited**

**U.S. PATENT DOCUMENTS**

- D. 54,575 3/1920 Baker .
- D. 139,145 3/1944 Sadowski .
- D. 150,751 8/1948 Bozoti .
- D. 182,150 2/1958 Unetic .
- D. 191,781 11/1961 Latham .
- D. 199,924 12/1964 Schlage .
- D. 209,444 12/1967 Dearling .
- D. 218,332 8/1970 Uitz .
- D. 226,350 2/1973 Shames et al. .
- D. 236,323 8/1975 Johnson et al. .... D6/546 X
- D. 256,865 9/1980 Crowe .
- D. 259,754 7/1981 Flesichmann et al. .
- D. 263,990 4/1982 Fleischmann et al. .
- D. 271,464 11/1983 Carlson .
- D. 272,591 2/1984 Connors et al. .
- D. 274,123 6/1984 Tegner .
- D. 281,838 12/1985 Thompson .
- D. 282,591 2/1986 Shames et al. .
- D. 282,885 3/1986 Jarrett .
- D. 286,963 12/1986 Waghorn .
- D. 287,321 12/1986 Bussell .
- D. 291,519 8/1987 Chap .
- D. 294,906 3/1988 Pool .
- D. 294,907 3/1988 Pool .
- D. 295,006 4/1988 Fayerman et al. .

- D. 296,175 6/1988 Fayerman .
- D. 296,637 7/1988 Fayerman .
- D. 298,710 11/1988 Fayerman et al. .
- D. 298,895 12/1988 Sharpe .
- D. 299,095 12/1988 Gresens et al. .... D6/540 X
- D. 299,096 12/1988 Fayerman .
- D. 299,097 12/1988 Fayerman .
- D. 299,098 12/1988 Fayerman .
- D. 299,099 12/1988 Gresens et al. .
- D. 299,397 1/1989 Fayerman et al. .
- D. 299,400 1/1989 Fayerman et al. .
- D. 299,604 1/1989 Fayerman et al. .
- D. 300,998 5/1989 Gresens et al. .
- D. 303,333 9/1989 Fayerman .
- D. 307,992 5/1990 Gresens et al. .
- D. 310,147 8/1990 Aaron .
- D. 317,386 6/1991 McKeone .

(List continued on next page.)

**FOREIGN PATENT DOCUMENTS**

1357111 of 1964 France .

**OTHER PUBLICATIONS**

U.S. patent application Ser. No. 29/041.009, filed Jun. 29, 1995 (PD-4262).

Royal Palm Collection by Harney Mfg. Co., Inc., believed published prior to Jun. 1995.

(List continued on next page.)

*Primary Examiner*—Brian N. Vinson  
*Attorney, Agent, or Firm*—Loeb & Loeb LLP

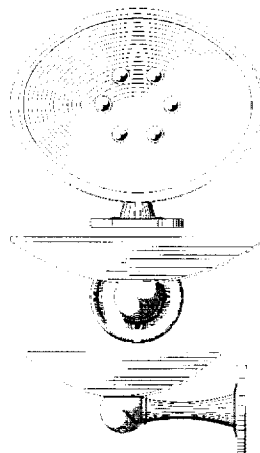
[57] **CLAIM**

The ornamental design for a soap dish, as shown and described.

**DESCRIPTION**

FIG. 1 is a top plan view of a soap dish incorporating my new design;  
FIG. 2 is a front elevational view thereof;  
FIG. 3 is a right side elevational view thereof, the left side being a mirror image of that shown;  
FIG. 4 is a bottom plan view thereof; and,  
FIG. 5 is a rear elevational view thereof.

**1 Claim, 2 Drawing Sheets**



## U.S. PATENT DOCUMENTS

D. 317,692 6/1991 Wang .  
 D. 326,382 5/1992 Ko .  
 D. 329,559 9/1992 Paul .  
 D. 330,636 11/1992 Sharpe .  
 D. 332,824 1/1993 Robbins .  
 D. 334,315 3/1993 Bengtson .  
 D. 337,681 7/1993 Sharpe .  
 D. 349,208 8/1994 Bollenbacher .  
 D. 356,708 3/1995 Shames et al. .... D6/540 X  
 D. 358,070 5/1995 Sharpe .  
 D. 358,287 5/1995 Sharpe .  
 D. 358,517 5/1995 Sharpe .  
 D. 358,518 5/1995 Sharpe ..... D6/545  
 D. 360,792 8/1995 Sharpe .  
 D. 361,006 8/1995 Sharpe .  
 D. 361,671 8/1995 Sharpe .  
 D. 369,931 5/1996 Shames et al. .  
 1,097,496 5/1914 Woodhead .  
 1,186,233 6/1916 Sanderson .  
 1,280,244 10/1918 Kroedel .  
 1,509,657 9/1924 Lachman .  
 1,769,326 9/1930 Weis .  
 4,907,771 3/1990 Wang .  
 5,301,823 4/1994 Kingery .

## OTHER PUBLICATIONS

West Beach brochure by Seachrome, believed published prior to Jun. 1995.

Designer II Collection by Gatco, believed published prior to Jun. 1995.

Cleopatra by Domus Industries, Inc. believed published prior to Jun. 1995.

Classique V by Taymor, believed published prior to Jun. 1995.

Melard "Deluxe Solid Brass" Bath Accessories, No. 9443, believed published prior to Jun. 1995.

Bath Furnishings by Donner, believed published prior to Jun. 1995.

Brochure by Amerock, believed published prior to Jun. 1995.

Period Brass, pp. 1-12, believed published prior to Jun. 1995.

Melard "Royale" Bath Accessories, No. 9350, believed published prior to Jun. 1995.

Melard "Lenox" Bath Accessories, No. 9351, believed published prior to Jun. 1995.

Melard "Park Avenue" Bathroom Accessories, No. 9274, believed published prior to Jun. 1995.

Melard "Ceramic & Brass" Bathroom Accessories, No. 9311, believed published prior to Jun. 1995.

Melard "Solid Brass" Bathroom Accessories No. 9345, believed published prior to Jun. 1995.

Melard "Greenwich" Bathroom Accessories, No. 9454, believed published prior to Jun. 1995.

The Broadway Collection, pp. 1-32, dated 1987.

Christensen Hardware brochure, Maxwell Collection. Believed published prior to the filing date of the present application.

Lenape brochure classic Soap Dish, 0529. Believed published prior to the filing date of the present application.

Lenape brochure Classic wall mounted soap dish, 0521, 0522. Believed published prior to Jun. 1995.

Lenape brochure Classic toothbrush/tumbler holder 0542. Believed published prior to Jun. 1995.

Baldwin Bath "Epic Accessories" catalogue, Georgetown Style fixtures p. 3. Believed published prior to Jun. 1995.

Baldwin Bath Epic Accessories brochure, "Manhattan," New Orleans, Palm Beach, Palm Springs, Atlanta, and Complementary Accessories, believed published prior to the filing date of application.

Catalogue of Baldwin Hardware Corporation, publication date believed to be January, 1992, pages entitled "Lexington," Georgetown, and Chesapeake.

Catalogue entitled "Baltic" by Farnet. Believed published prior to July, 1992.

Catalogue entitled "Chantal" by Farnet. Believed published prior to July, 1992.

Catalogue entitled "Displays" by Ginger. Believed published prior to July, 1992.

Price Pfister catalogue (1990) p. 4, soap dish.

Designer Bathware catalogue (Aug. 1987)—towel ring.

P.A.M.I. catalogue (Aug. 1987)—Catalina toothbrush & tumbler holder #7705.

Catalogue entitled "Harrington Traditional," believed published prior to July, 1992.

Baldwin Hardware Corporation catalog, Dt. Feb. 1985, Utility Hook No. 0757 (top, center), p. a/40.

Baldwin Hardware Corporation, catalog, dt. Feb. 1985, Utility Hook No. 0757 (top, center), p. a/40.

Paul Associates catalogue(1983) Towel Bar #3240.

Baldwin Bath catalogue (1987) p. 4 "Dallas" Towel Rod #3221-030.

"Domus" Special Bath Section, p. 14, May, 1988.

Design, p. 21, Nov. 1979.

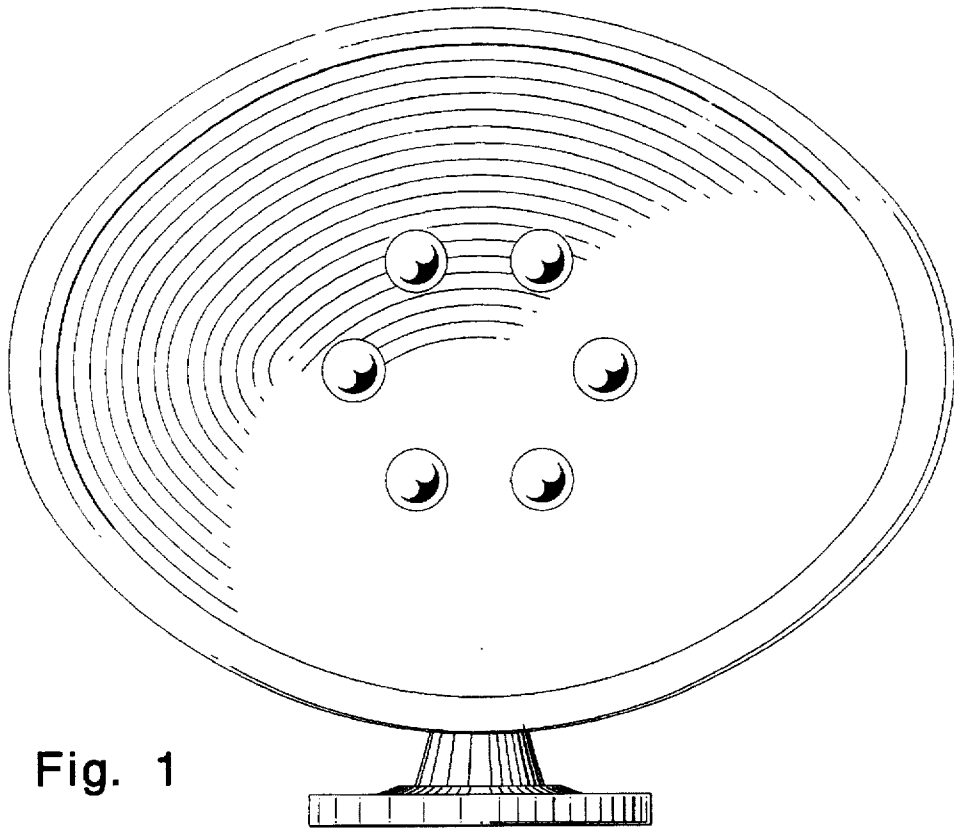


Fig. 1

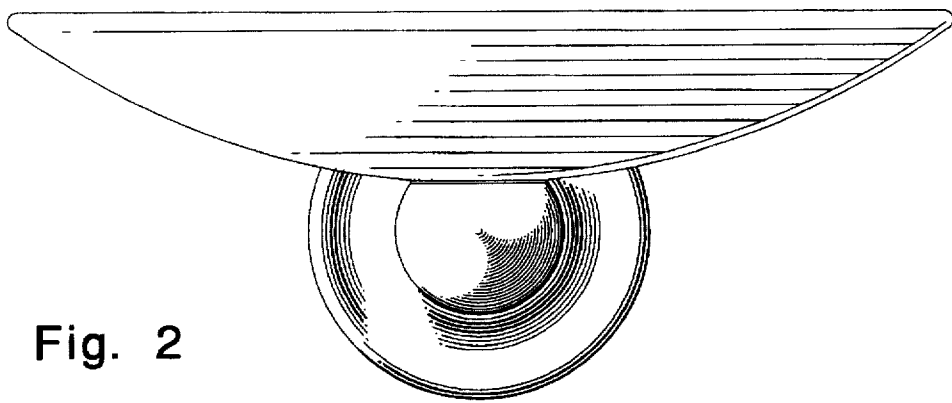


Fig. 2

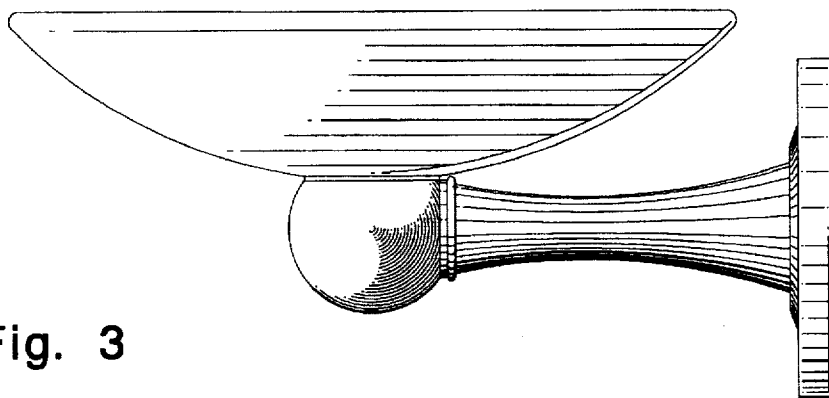


Fig. 3

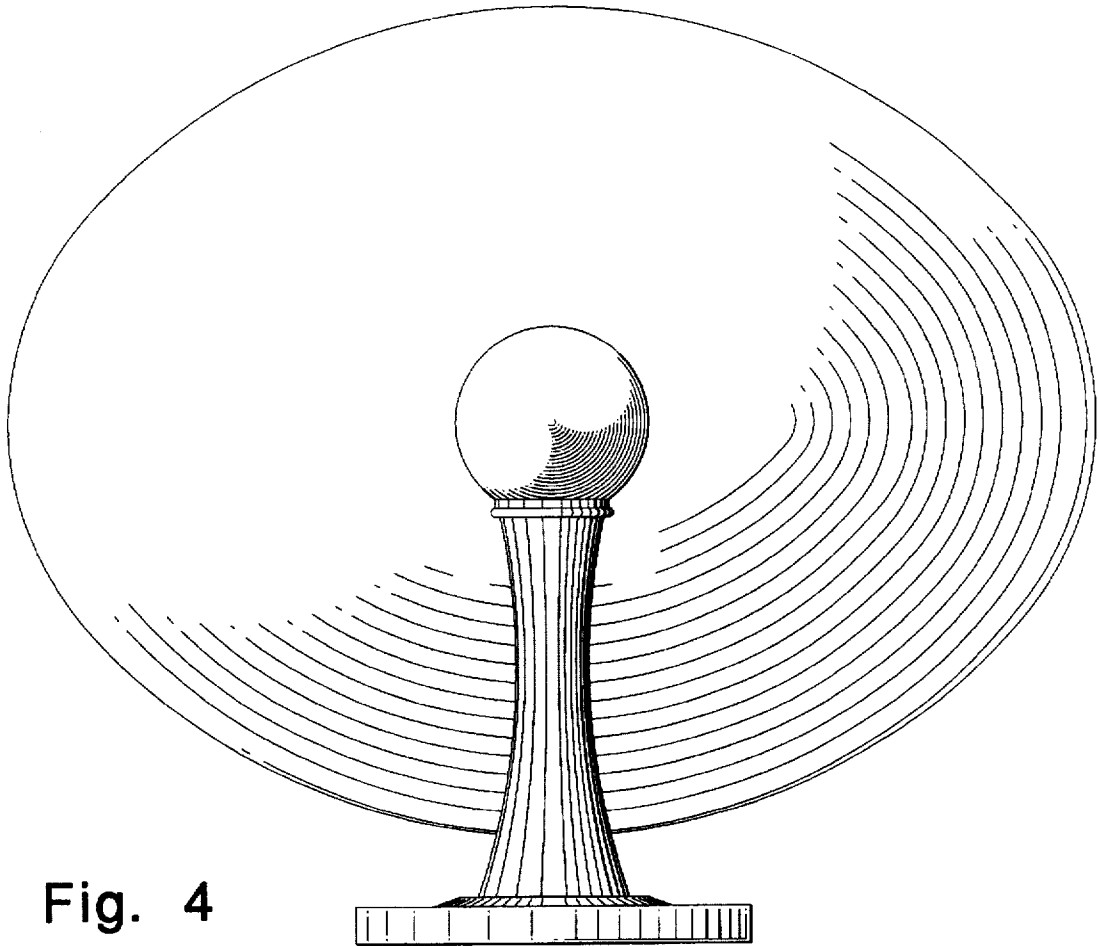


Fig. 4

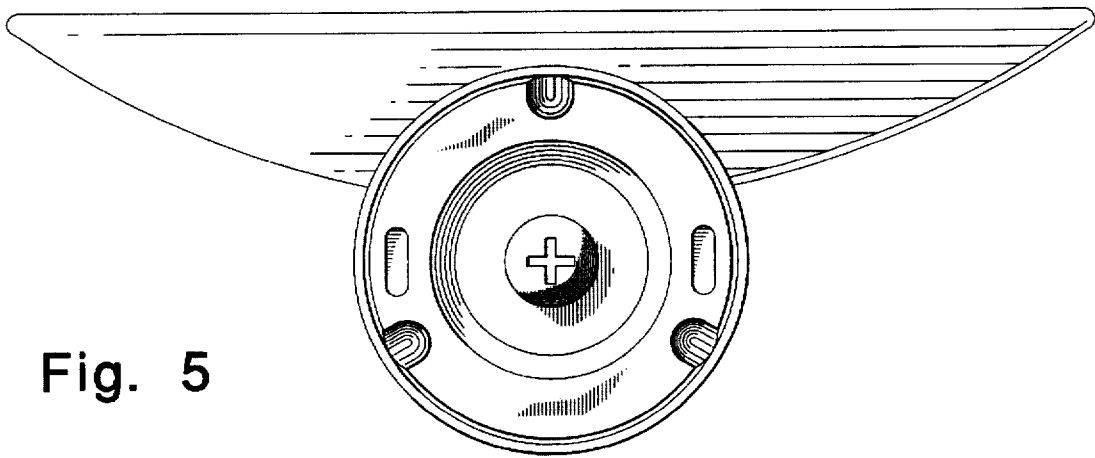


Fig. 5