



US00D433356S

United States Patent [19]

[11] Patent Number: Des. 433,356

Loeffler et al.

[45] Date of Patent: ** Nov. 7, 2000

[54] TIRE TREAD

[75] Inventors: **Ronald Lawrence Loeffler**, Akron, Ohio; **Thomas Timothy Wolski**, Grand Island; **Tatsuya Miyazaki**, East Amherst, both of N.Y.

[73] Assignee: **The Goodyear Tire & Rubber Company**, Akron, Ohio

[**] Term: **14 Years**

[21] Appl. No.: **29/121,005**

[22] Filed: **Mar. 30, 2000**

Related U.S. Application Data

[62] Division of application No. 29/108,503, Jul. 28, 1999, Pat. No. Des. 427,952.

[51] **LOC (7) Cl.** **12-15**

[52] **U.S. Cl.** **D12/147**

[58] **Field of Search** **D12/134-152;**
152/209.1, 209.8, 209.9, 209.11, 209.12,
209.13, 209.28, 900, 901, 902, 903

[56] **References Cited**

U.S. PATENT DOCUMENTS

D. 283,698	5/1986	Kawabata et al.	D12/147
D. 284,275	6/1986	Candiliotis	D12/142
D. 284,562	7/1986	Kojima et al.	D12/147
D. 296,199	6/1988	Tansei et al.	D12/145
D. 296,544	7/1988	Matsushita et al.	D12/147
D. 301,133	5/1989	Tsuda et al.	D12/145
D. 304,557	11/1989	Ochiai	D12/146
D. 304,558	11/1989	Fukumoto	D12/146
D. 313,211	12/1990	Minamitani et al.	D12/147
D. 313,383	1/1991	Enoki	D12/142
D. 326,251	5/1992	Aoki et al.	D12/141
D. 328,580	8/1992	Killian	D12/147
D. 333,286	2/1993	Rogers et al.	D12/146
D. 334,362	3/1993	Stone et al.	D12/147
D. 335,109	4/1993	Serpaggi	D12/143
D. 340,892	11/1993	Loeffler	D12/146
D. 344,053	2/1994	Attinello et al.	D12/147

D. 346,775	5/1994	Loser	D12/146
D. 355,151	2/1995	Hagmaier	D12/146
D. 366,233	1/1996	Lassan et al.	D12/147
D. 368,687	4/1996	Hayashi	D12/147
D. 379,339	5/1997	Guspodin et al.	D12/147
D. 379,954	6/1997	Matsuda et al.	D12/147
D. 380,181	6/1997	Maruyama et al.	D12/146
D. 380,710	7/1997	McKisson	D12/147
D. 384,612	10/1997	Young et al.	D12/146
D. 384,919	10/1997	Hermann	D12/146
D. 385,237	10/1997	Schuster	D12/146
D. 386,452	11/1997	Tsakagoshi	D12/141
D. 386,725	11/1997	Matsuda et al.	D12/147
D. 392,230	3/1998	Heinen	D12/147
D. 397,653	9/1998	Heinen	D12/147
D. 405,034	2/1999	Takada	D12/146
4,736,783	4/1988	Motomura et al.	152/209 A
4,913,208	4/1990	Anderson et al.	152/209 R
5,012,847	5/1991	Fukumoto et al.	152/209 R
5,127,455	7/1992	Remick	152/209 R
5,154,216	10/1992	Ochiai et al.	152/209 R
5,353,855	10/1994	Kajiwara et al.	152/209 R
5,571,351	11/1996	Hatakenaka et al.	152/209 R
5,795,415	8/1998	Campana et al.	152/209 R

Primary Examiner—Robert M. Spear
Attorney, Agent, or Firm—T P Lewandowski

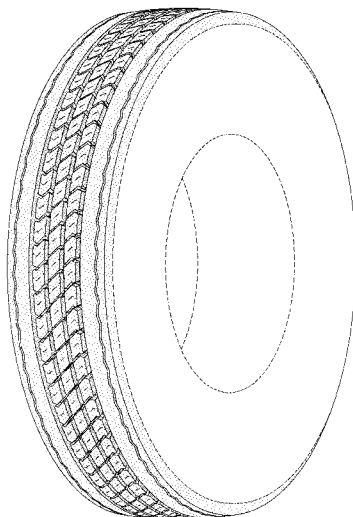
[57] **CLAIM**

The ornamental Design for a tire tread, as shown and described.

DESCRIPTION

FIG. 1 is a perspective view of a tire tread showing our new design, it being understood that the pattern repeats uniformly throughout the circumference of the tread; FIG. 2 is a front elevational view thereof; FIG. 3 is a side elevational view thereof, the opposite side elevational view being identical thereto; and, FIG. 4 is an enlarged fragmentary perspective view. In the drawings, the broken lines defining the inner bead of the sidewall and the peripheral boundary between the tire tread and the sidewall are for illustrative purposes only and form no part of the claimed design.

1 Claim, 4 Drawing Sheets



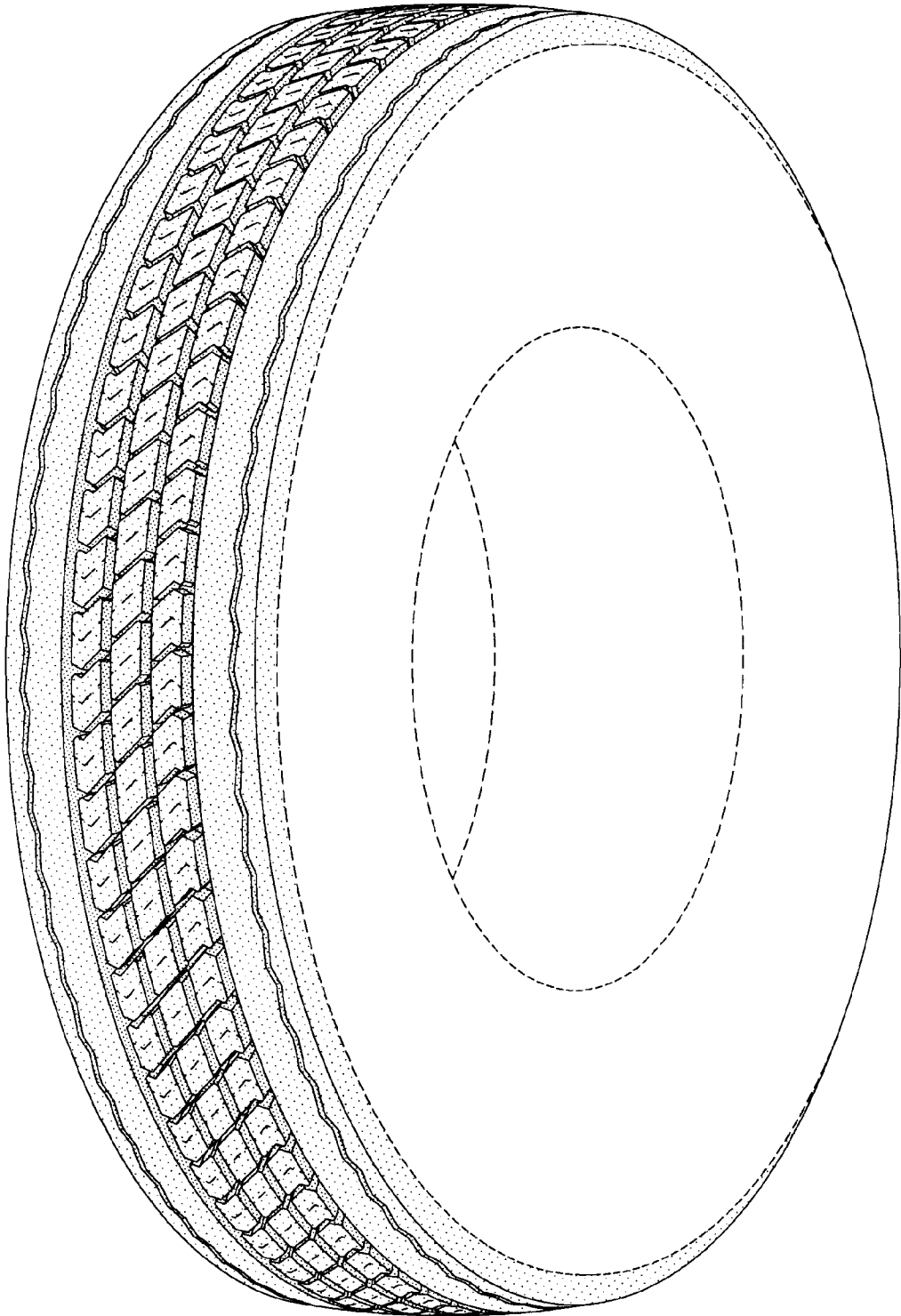


FIG-1

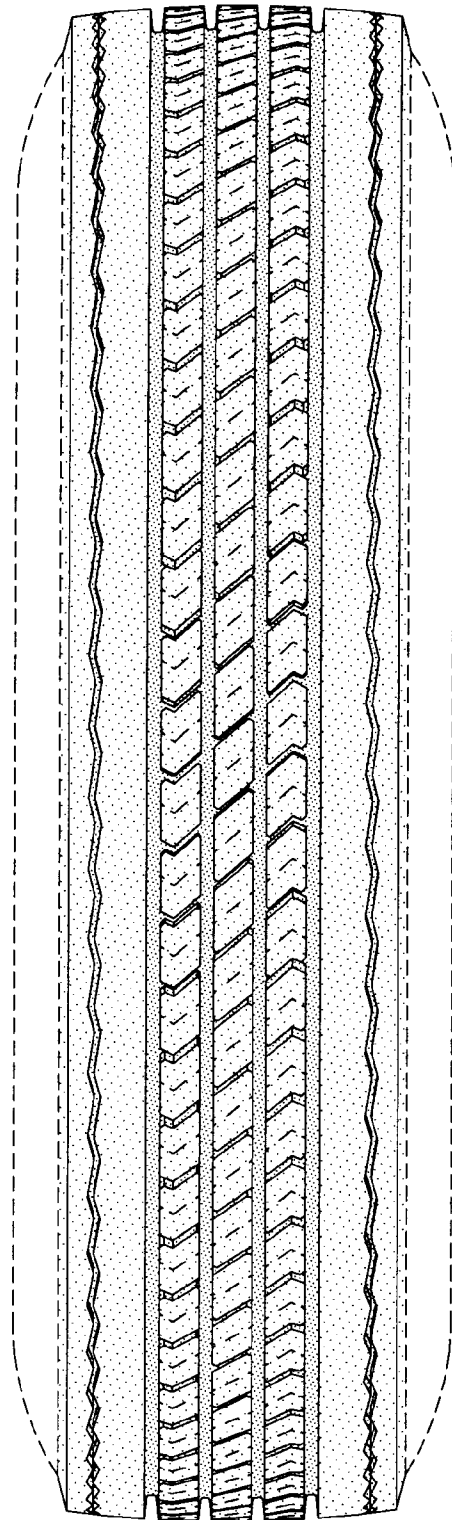


FIG-2

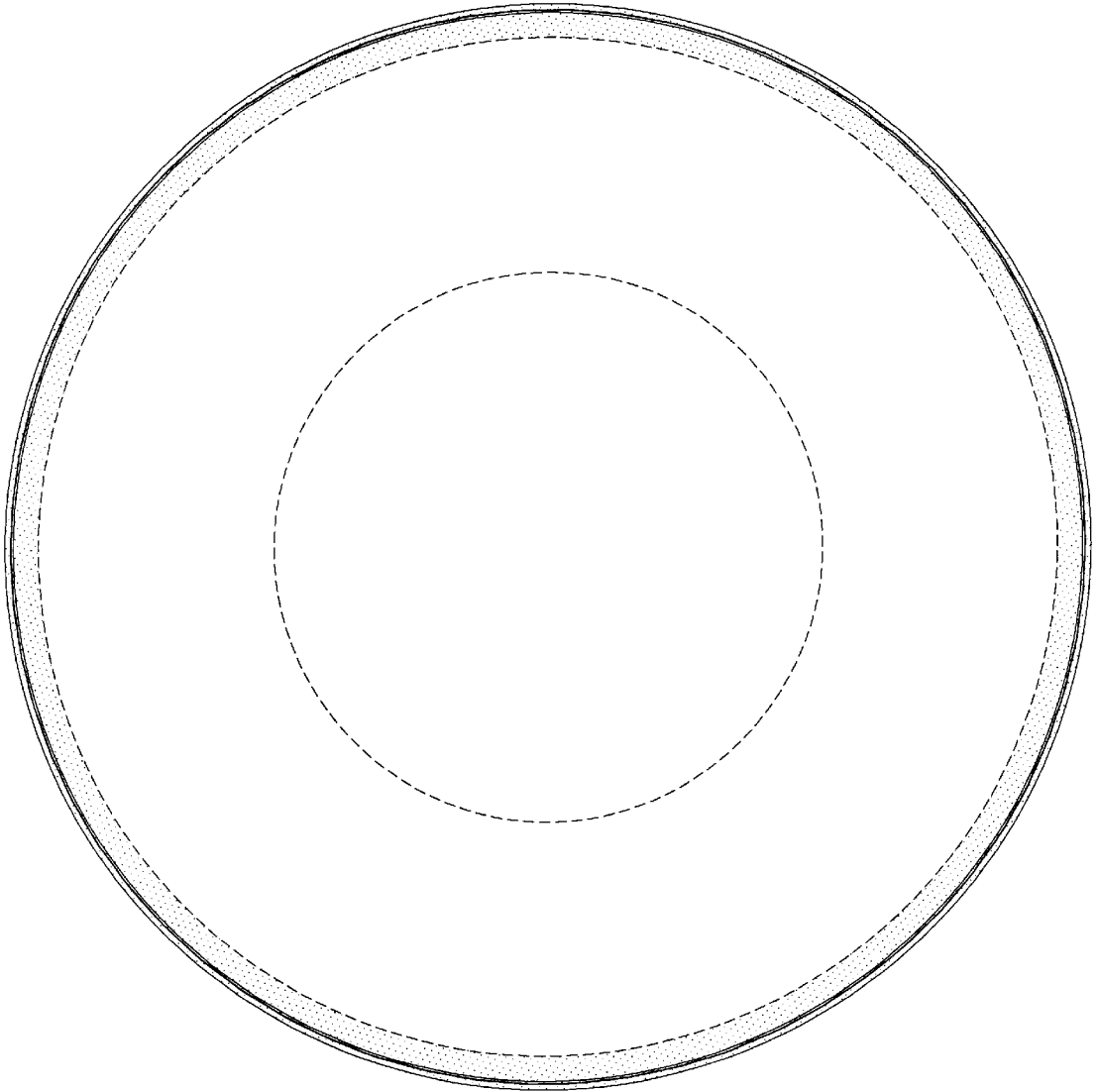


FIG-3

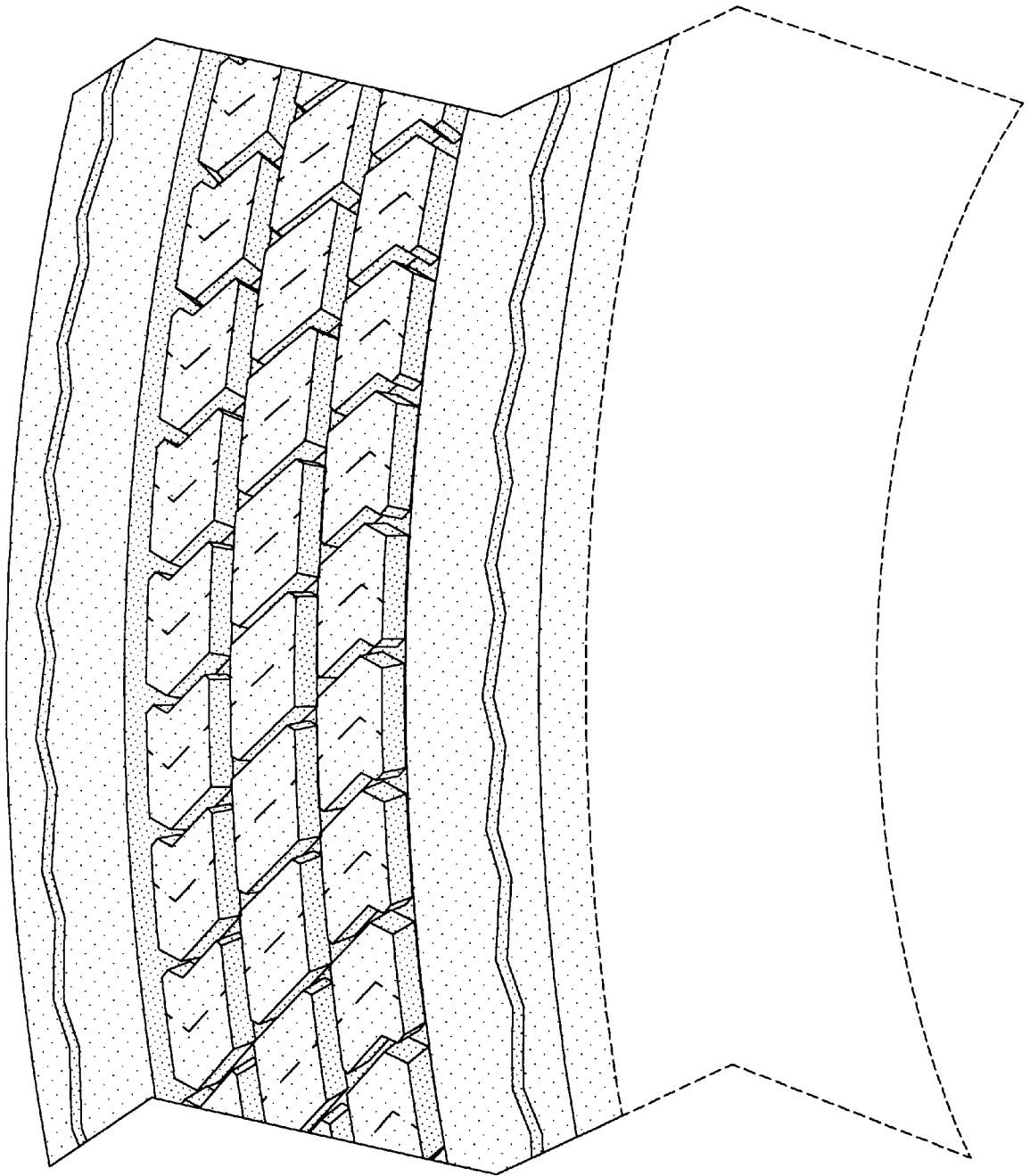


FIG-4