



US00D915554S

(12) **United States Design Patent**
Gessi

(10) **Patent No.:** **US D915,554 S**

(45) **Date of Patent:** **** Apr. 6, 2021**

(54) **MIXER TAP**

(71) Applicant: **GESSI S.P.A.**, Serravalle Sesia (IT)

(72) Inventor: **Gian Luca Gessi**, Serravalle Sesia (IT)

(73) Assignee: **GESSI S.P.A.**, Serravalle Sesia (IT)

(**) Term: **15 Years**

(21) Appl. No.: **29/702,068**

(22) Filed: **Aug. 16, 2019**

(30) **Foreign Application Priority Data**

Mar. 7, 2019 (IT) 402019000000439

(51) **LOC (13) CL.** **23-01**

(52) **U.S. Cl.**
USPC **D23/238**

(58) **Field of Classification Search**
USPC D23/238, 239, 240, 241, 242, 243, 249,
D23/250, 255, 256, 257; D6/524
CPC E03C 1/04; E03C 1/0401; E03C 1/0402;
E03C 1/0404; E03C 1/0405; E03C
1/0412; Y10T 137/9464
See application file for complete search history.

(56) **References Cited**

U.S. PATENT DOCUMENTS

D466,977 S * 12/2002 Cummings D23/238
D555,771 S * 11/2007 Noth D23/238
8,235,431 B2 * 8/2012 Williamson E05B 15/02
292/357

D684,666 S * 6/2013 Lord D23/238
D802,101 S * 11/2017 Kirar D23/257
D811,529 S * 2/2018 Schoenherr D23/238
D827,779 S * 9/2018 Soulier D23/238
D846,701 S * 4/2019 Liu D23/238
D862,649 S * 10/2019 Meyers D23/238
D862,650 S * 10/2019 Meyers D23/238
D873,964 S * 1/2020 Soulier D23/238
D892,273 S * 8/2020 Rummel D23/238

* cited by examiner

Primary Examiner — John A Voytek

(74) *Attorney, Agent, or Firm* — Underwood & Associates, LLC

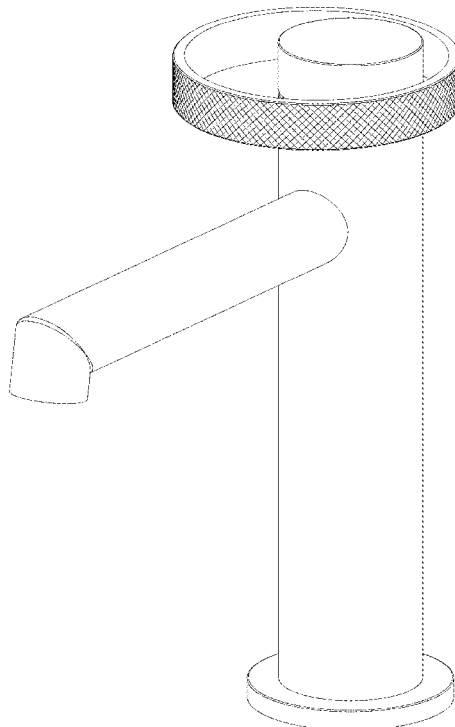
(57) **CLAIM**

The ornamental design for a mixer tap, as shown and described.

DESCRIPTION

FIG. 1 is a perspective view of a mixer tap;
FIG. 2 is a front elevation view thereof;
FIG. 3 is a rear elevation view thereof;
FIG. 4 is a top plan view thereof;
FIG. 5 is a bottom plan view thereof;
FIG. 6 is a left side elevation view thereof;
FIG. 7 is a right side elevation view thereof; and,
FIG. 8 is a magnified view of the handle portion bounded by the dashed-line rectangle in FIG. 3.
The dashed-line rectangle shown in FIG. 3 forms no part of the claimed design.
The broken line showing of the spout (FIGS. 2 and 5) and the handle (FIG. 8) is for the purpose of illustrating portions of the mixer tap and forms no part of the claimed design.

1 Claim, 8 Drawing Sheets



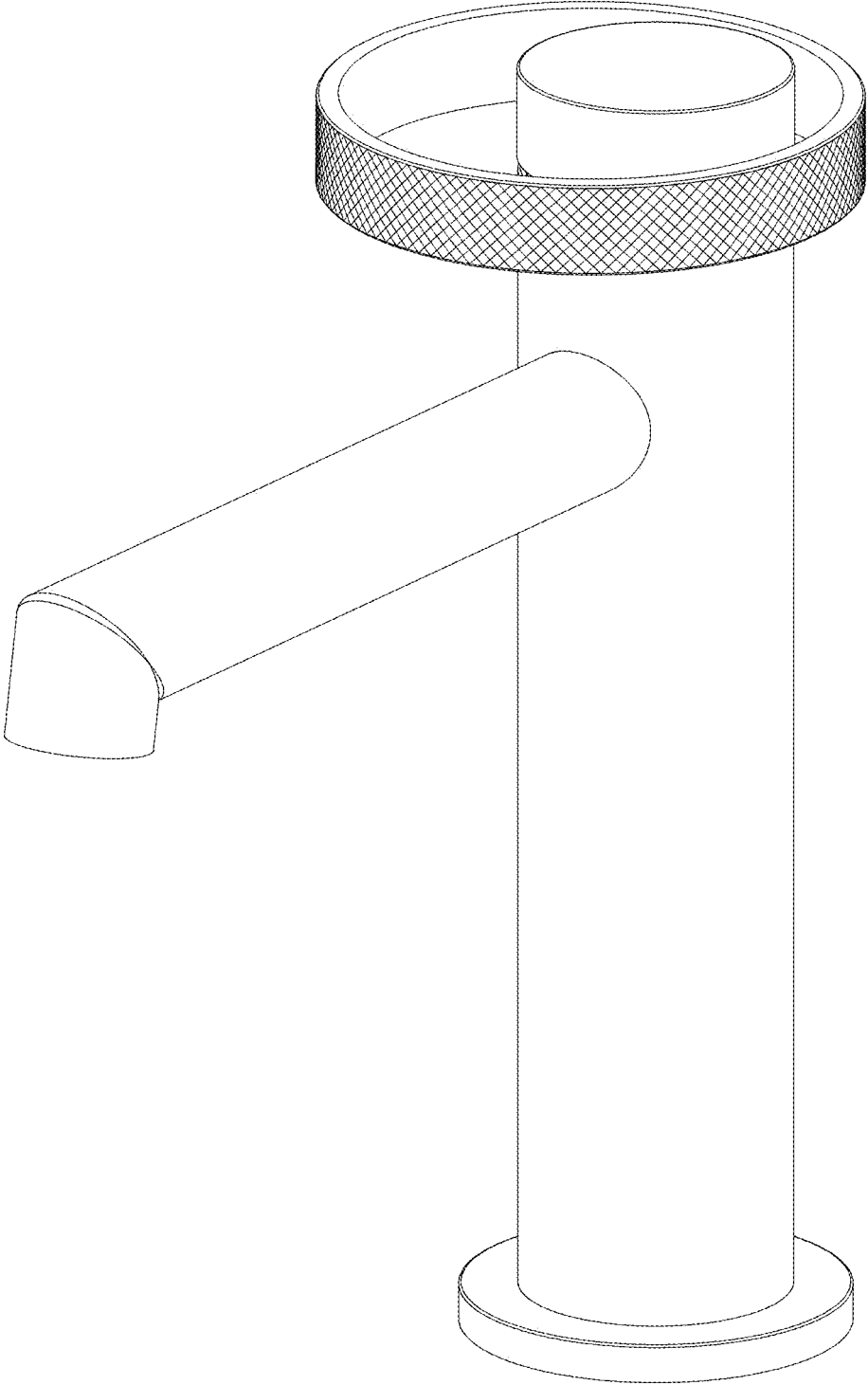


FIG. 1

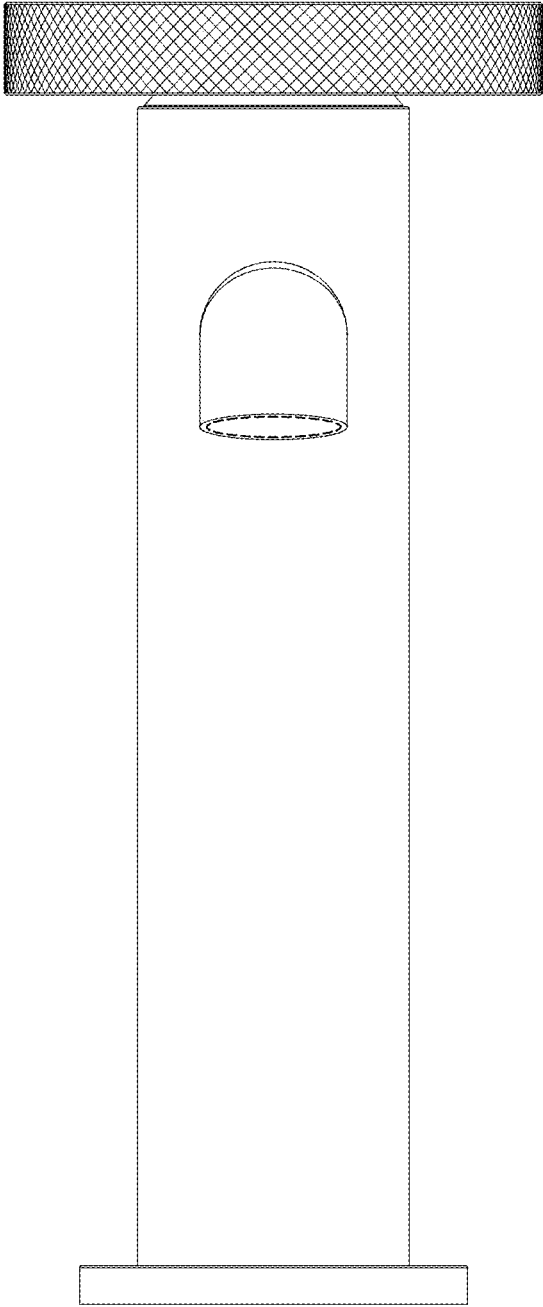


FIG. 2

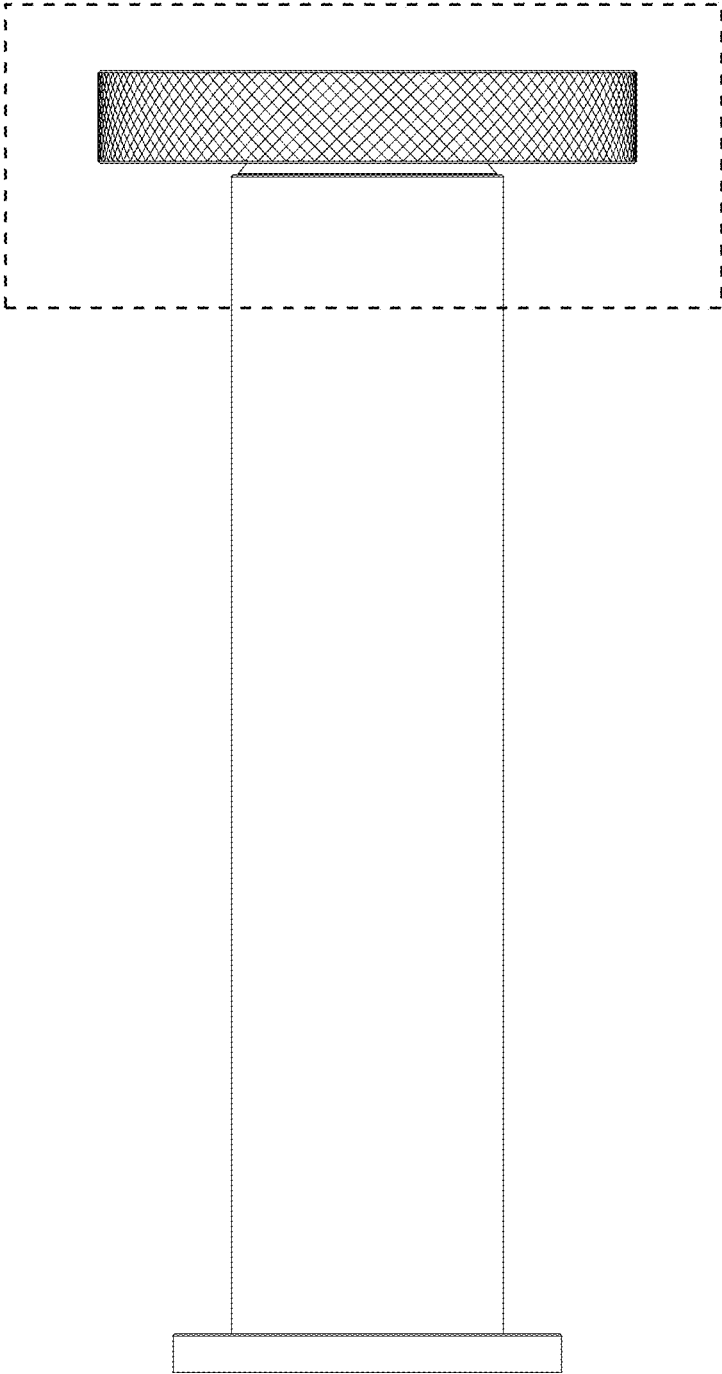


FIG. 3

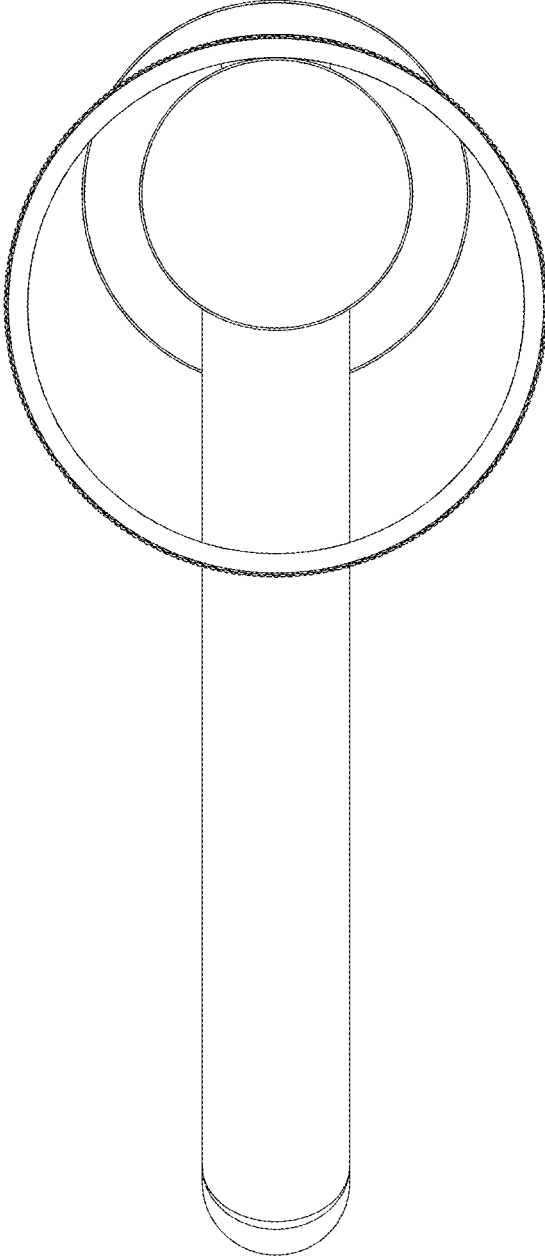


FIG. 4

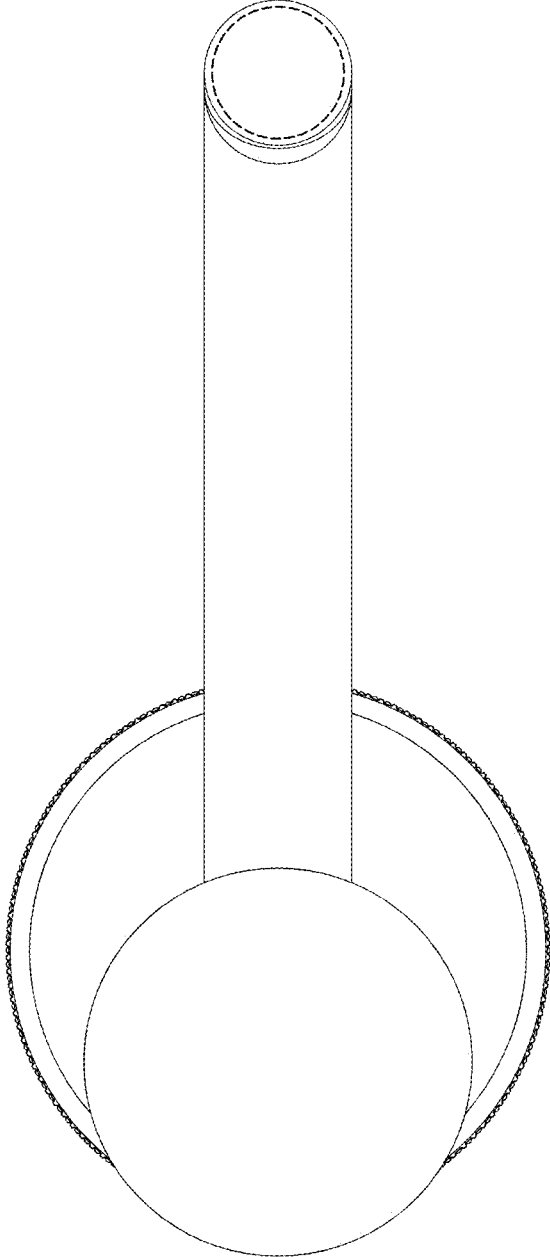


FIG. 5

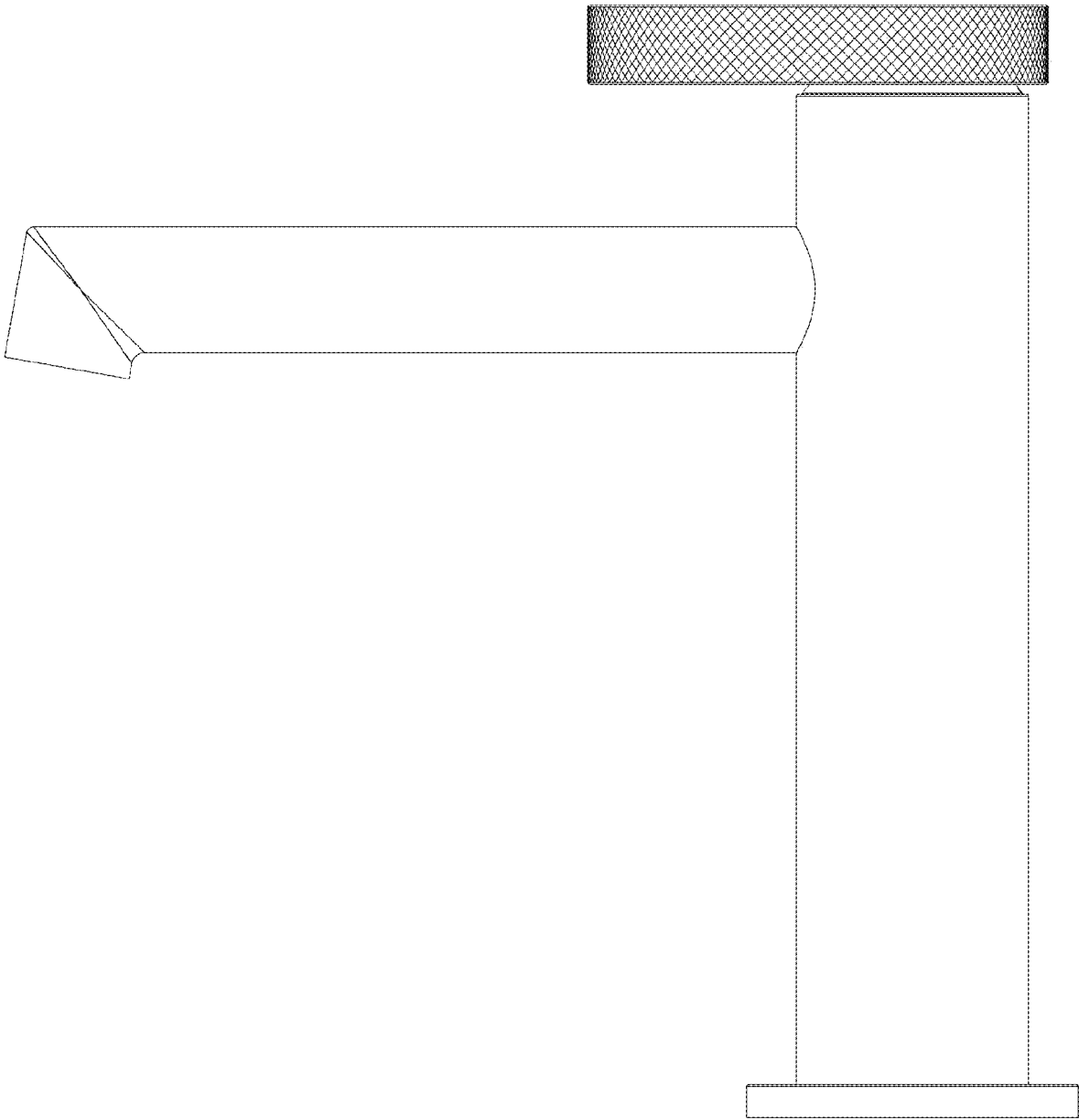


FIG. 6

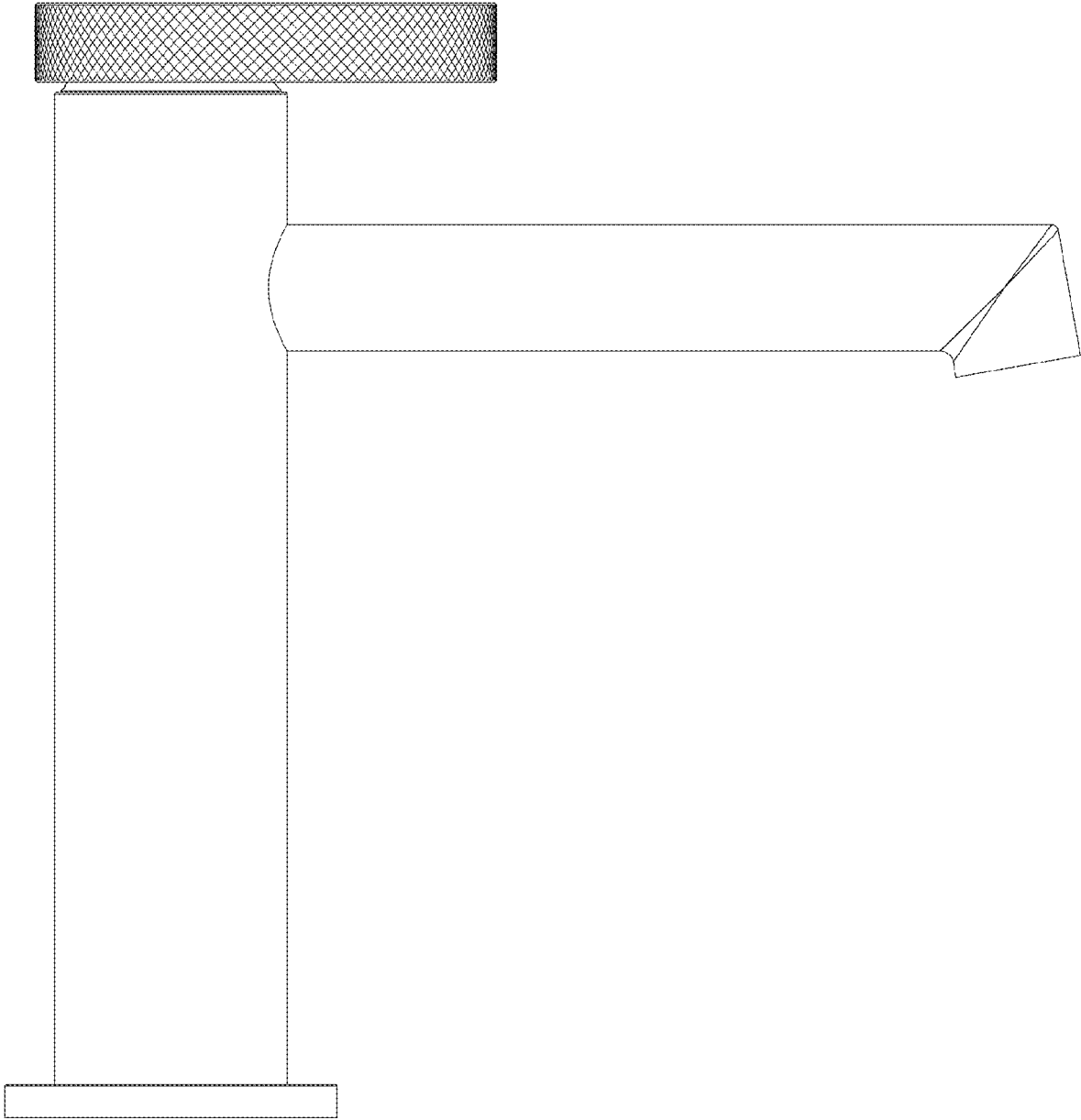


FIG. 7

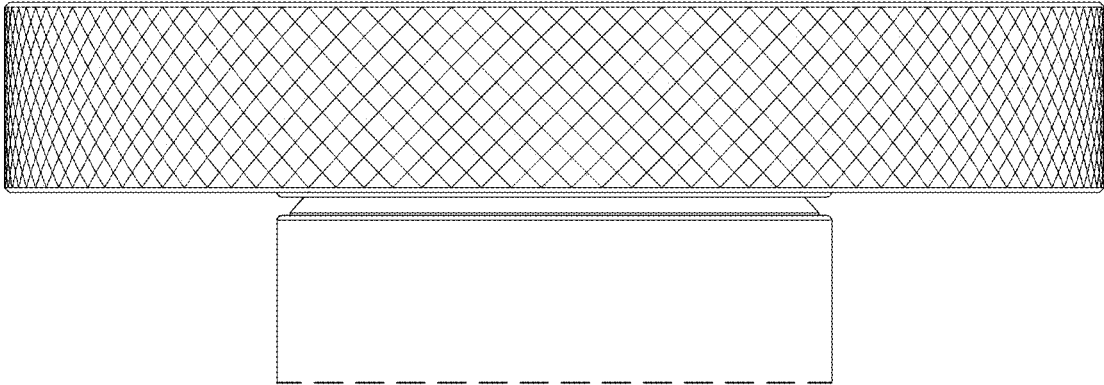


FIG. 8