



US00D532802S

(12) **United States Design Patent**
Liu et al.

(10) **Patent No.:** **US D532,802 S**

(45) **Date of Patent:** **** Nov. 28, 2006**

(54) **SAWING MACHINE**

(75) Inventors: **Chia-Sheng Liu**, Chiayi County (TW);
Yu-Feng Chan, Kaohsiung County (TW)

(73) Assignee: **DURQ Machinery Corp.** (TW)

(**) Term: **14 Years**

(21) Appl. No.: **29/258,138**

(22) Filed: **Apr. 18, 2006**

(30) **Foreign Application Priority Data**

Mar. 15, 2006 (TW) 95301311

(51) **LOC (8) Cl.** **15-09**

(52) **U.S. Cl.** **D15/133**

(58) **Field of Classification Search** D8/20;
D15/133; 30/377-378, 388-391, 517-525;
83/471.2, 471.3, 472, 477.1, 477.2, 581
See application file for complete search history.

(56) **References Cited**

U.S. PATENT DOCUMENTS

D299,925 S * 2/1989 Brickner et al. D15/133

6,508,281 B1 * 1/2003 Wang 83/477.2
D469,789 S * 2/2003 Cooper et al. D15/133
D486,504 S * 2/2004 Huang D15/133
D520,775 S * 5/2006 Liu et al. D15/141
2005/0217446 A1 * 10/2005 Brazell et al. 83/477.2

* cited by examiner

Primary Examiner—Antoine D. Davis

Assistant Examiner—Patricia Palasik

(74) *Attorney, Agent, or Firm*—Browdy and Neimark, PLLC

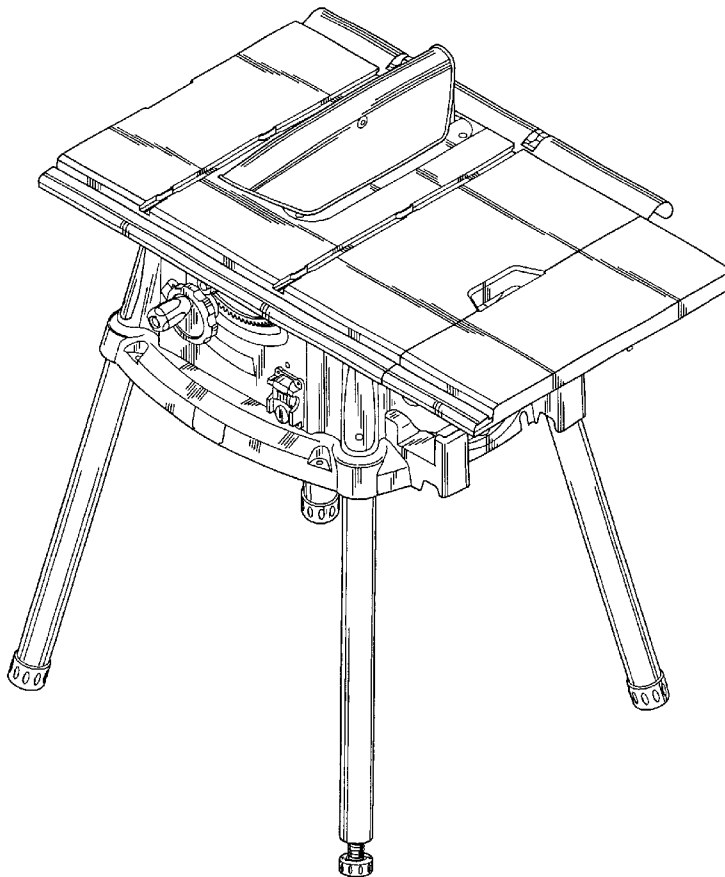
(57) **CLAIM**

The ornamental design for a sawing machine, as shown.

DESCRIPTION

FIG. 1 shows a perspective view of the present design.
FIG. 2 shows a right side elevational view of the present design.
FIG. 3 shows a top plan view of the present design.
FIG. 4 shows a front elevational view of the present design.
FIG. 5 shows a bottom plan view of the present design.
FIG. 6 shows a left side elevational view of the present design; and,
FIG. 7 shows a rear elevational view of the present design.

1 Claim, 7 Drawing Sheets



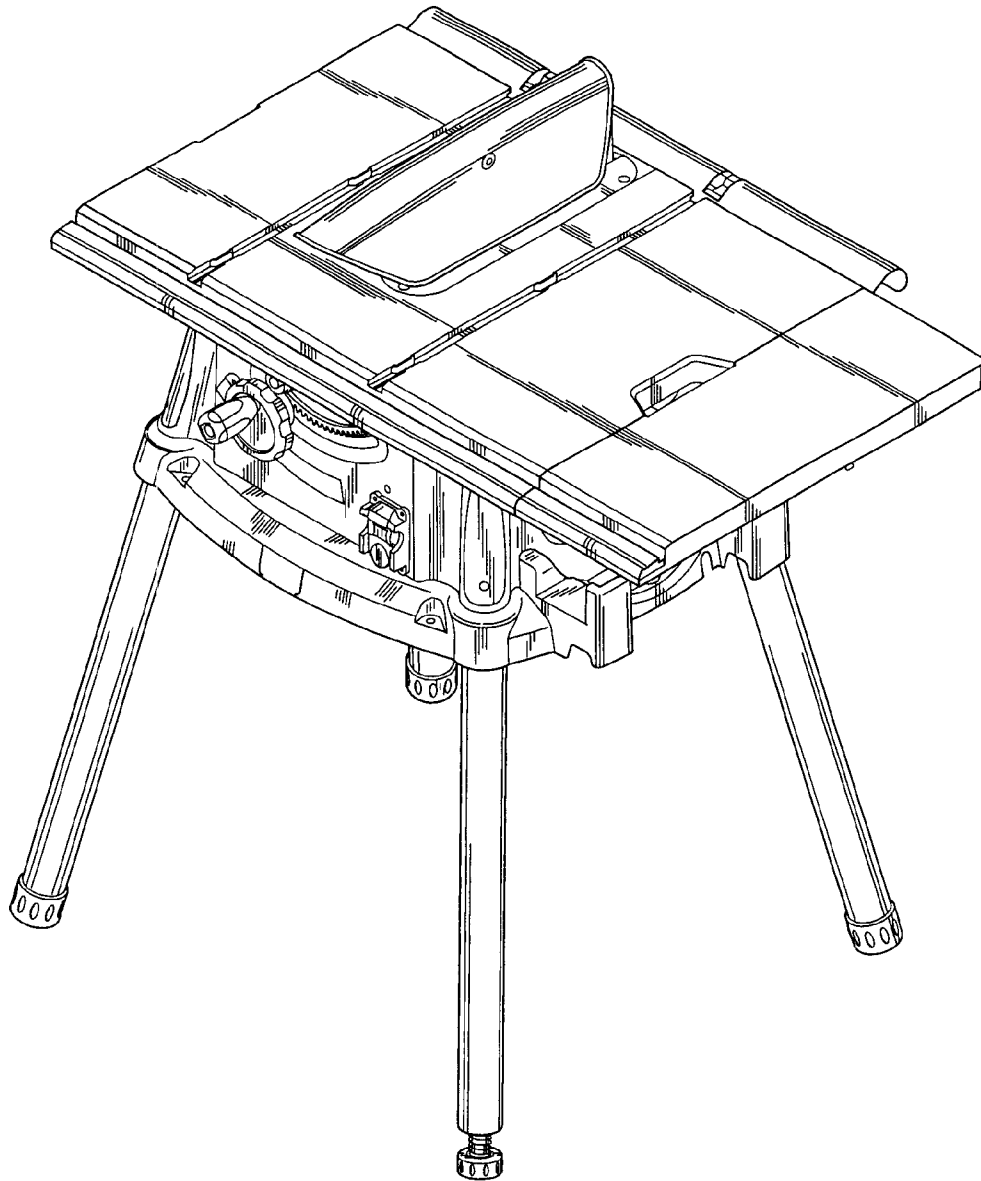


FIG. 1

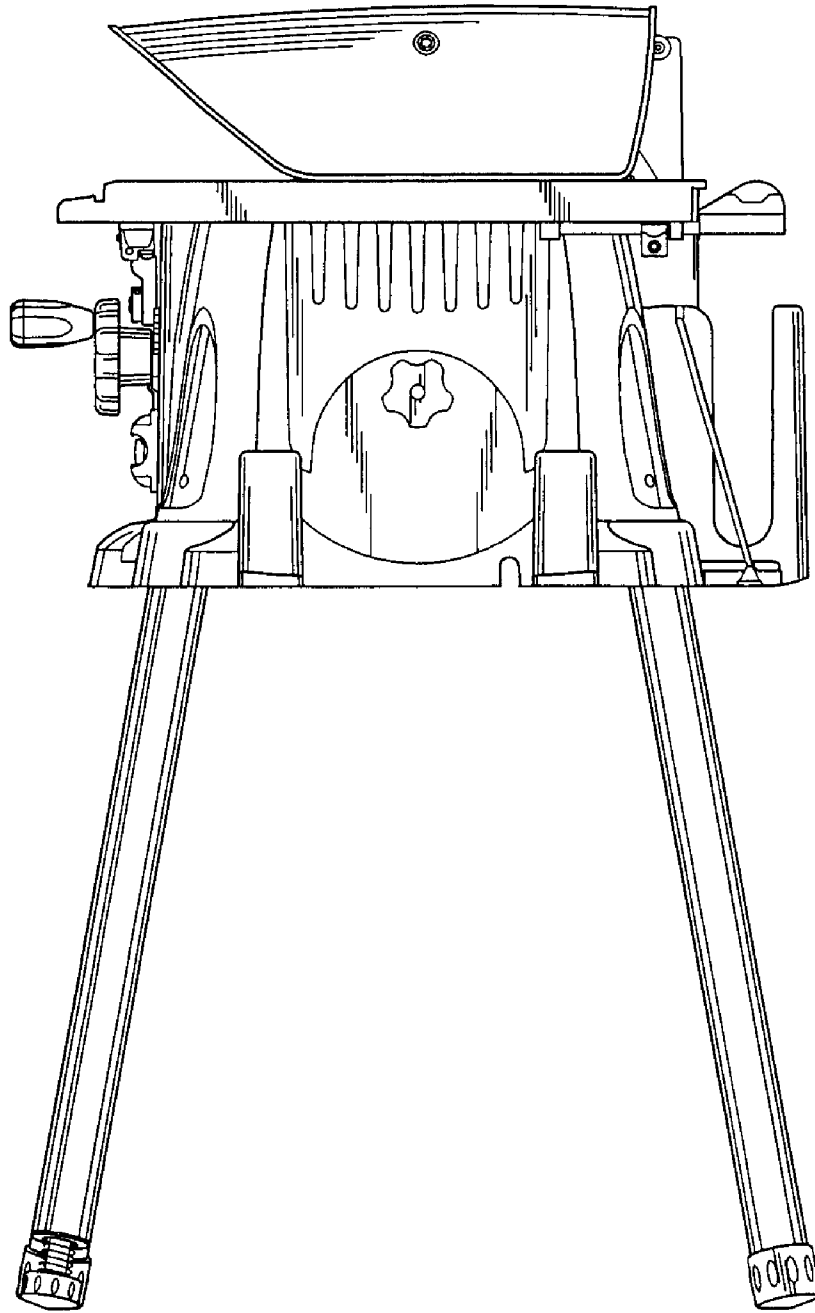


FIG. 2

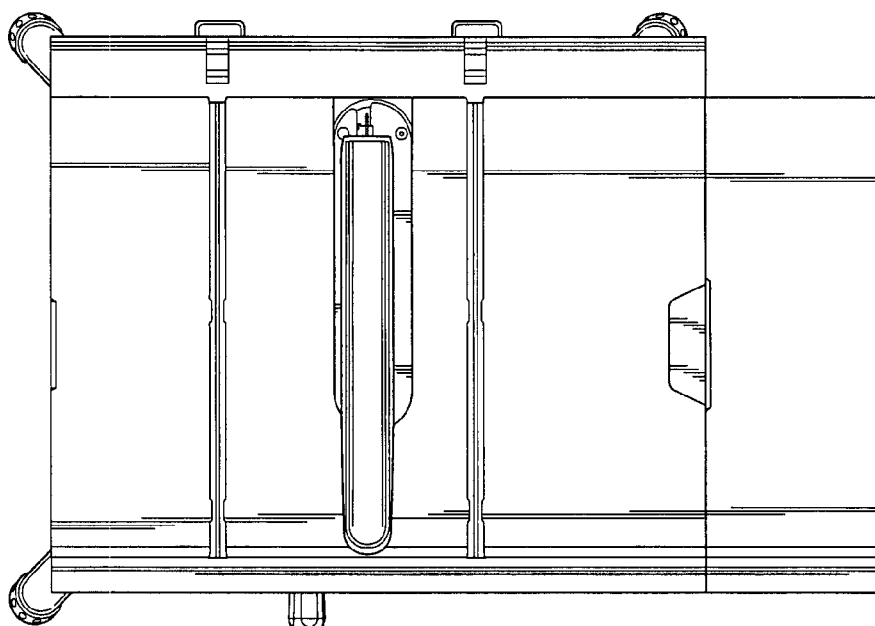


FIG. 3

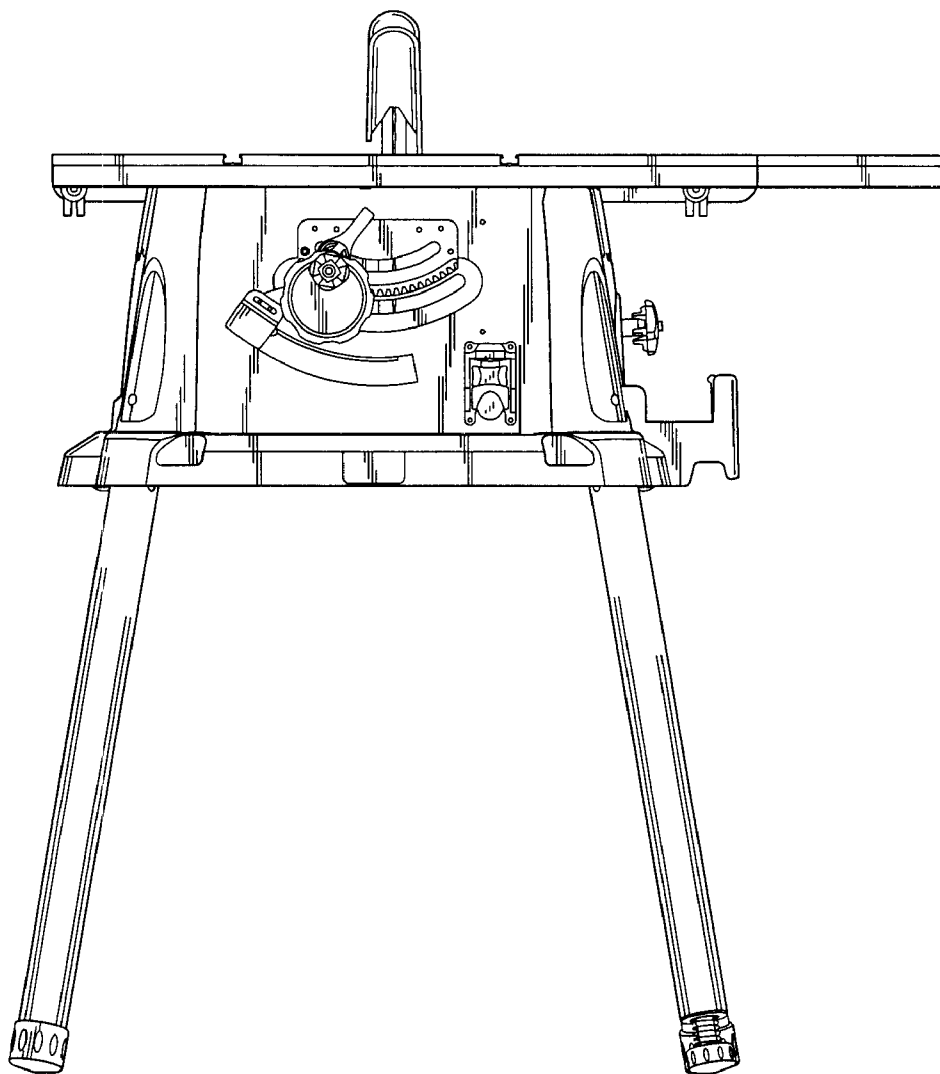


FIG. 4

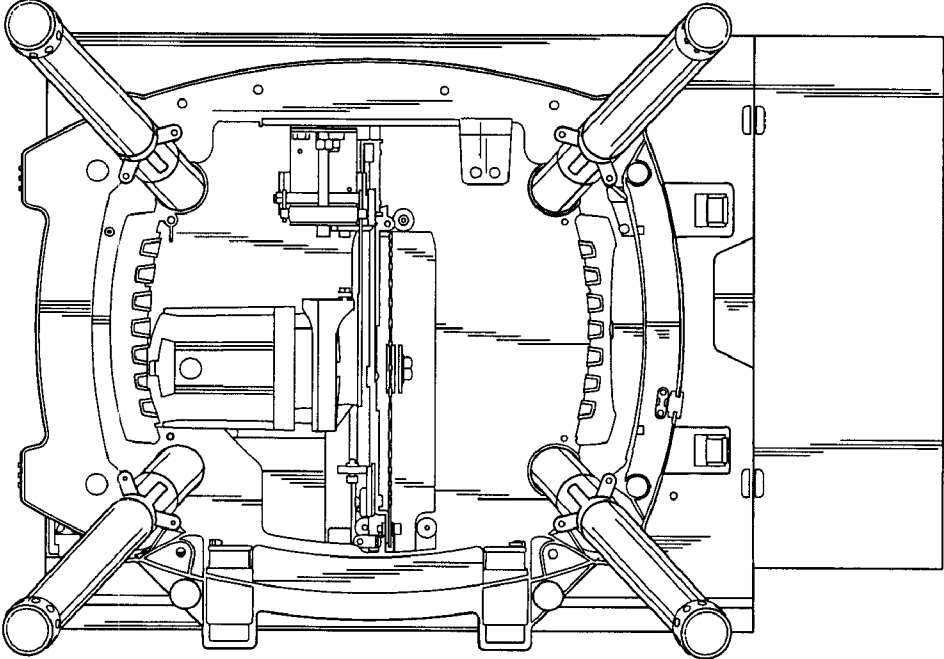


FIG. 5

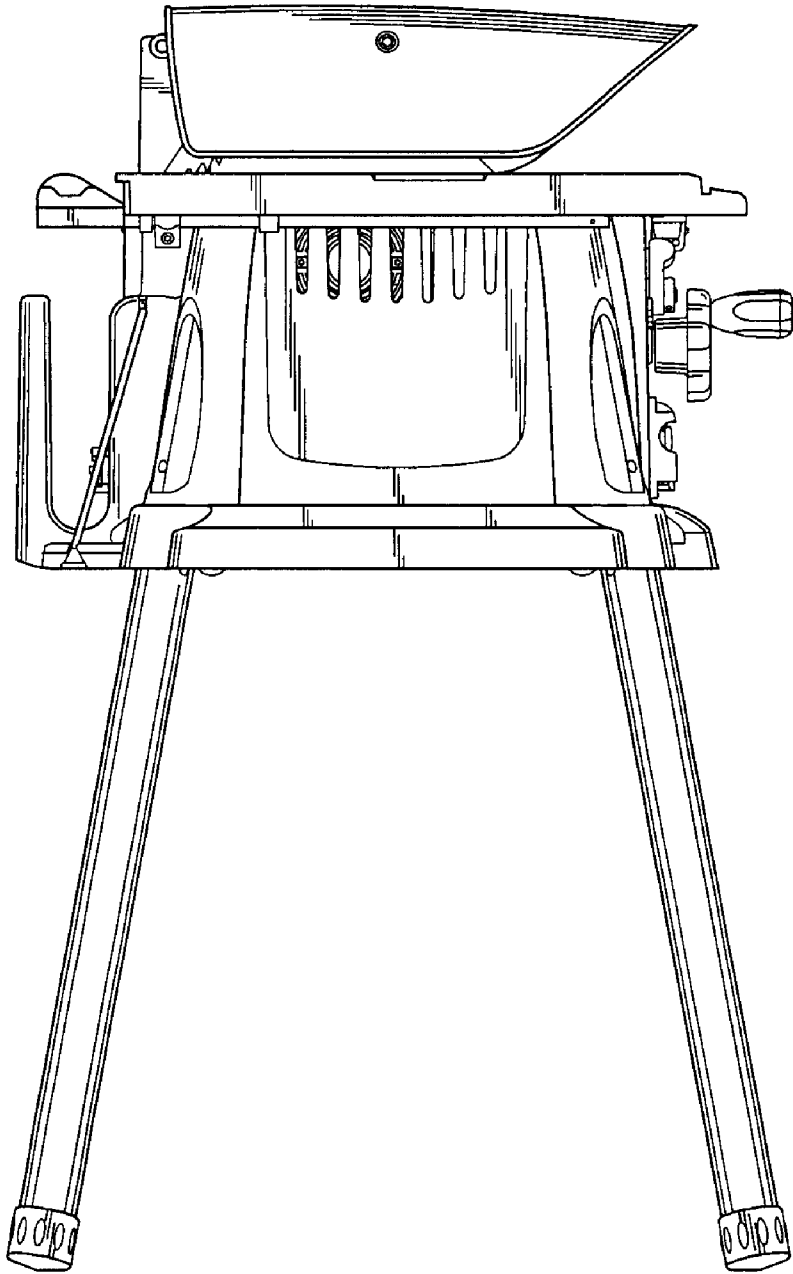


FIG. 6

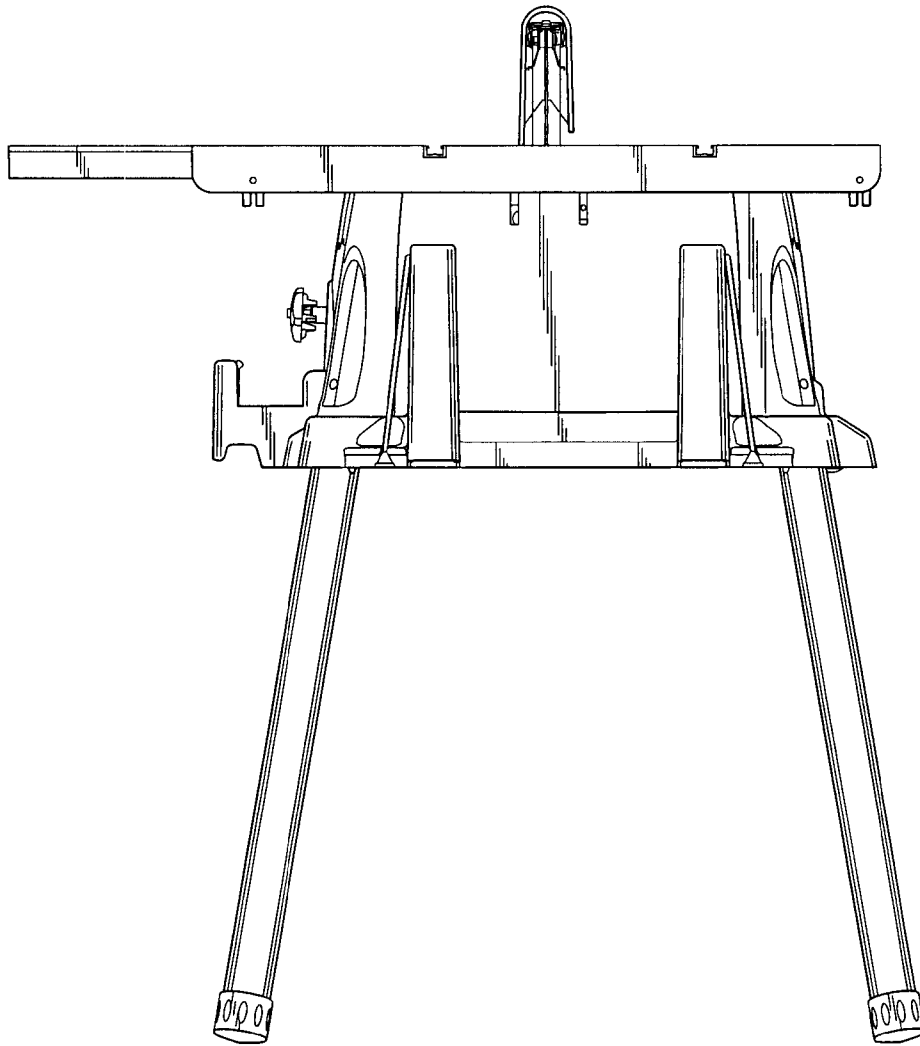


FIG. 7