

(12) **United States Design Patent** (10) **Patent No.:** **US D926,015 S**  
**Bublitz et al.** (45) **Date of Patent:** **\*\* Jul. 27, 2021**

(54) **SOLDERING TOOL GRIP**

(71) Applicant: **APEX BRANDS, INC.**, Apex, NC (US)  
 (72) Inventors: **Scott Daniel Bublitz**, Denver, NC (US); **Ralf Zerweck**, Bönningheim (DE); **Bernhard Eigen**, Murr (DE)  
 (73) Assignee: **APEX BRANDS, INC.**, Apex, NC (US)  
 (\*\*) Term: **15 Years**  
 (21) Appl. No.: **29/661,603**  
 (22) Filed: **Aug. 29, 2018**  
 (51) **LOC (13) Cl.** ..... **08-06**  
 (52) **U.S. Cl.**  
 USPC ..... **D8/303**  
 (58) **Field of Classification Search**  
 USPC ..... D8/107, 300, 303, 307, 310, 321, 322; D23/250-254; D7/393, 394, 395, 396  
 (Continued)

(56) **References Cited**

U.S. PATENT DOCUMENTS

D324,473 S \* 3/1992 Chen ..... D8/80  
 D352,443 S \* 11/1994 Chen ..... D8/303  
 (Continued)

*Primary Examiner* — Lauren R Calve

(74) *Attorney, Agent, or Firm* — Burr & Forman, LLP

(57) **CLAIM**

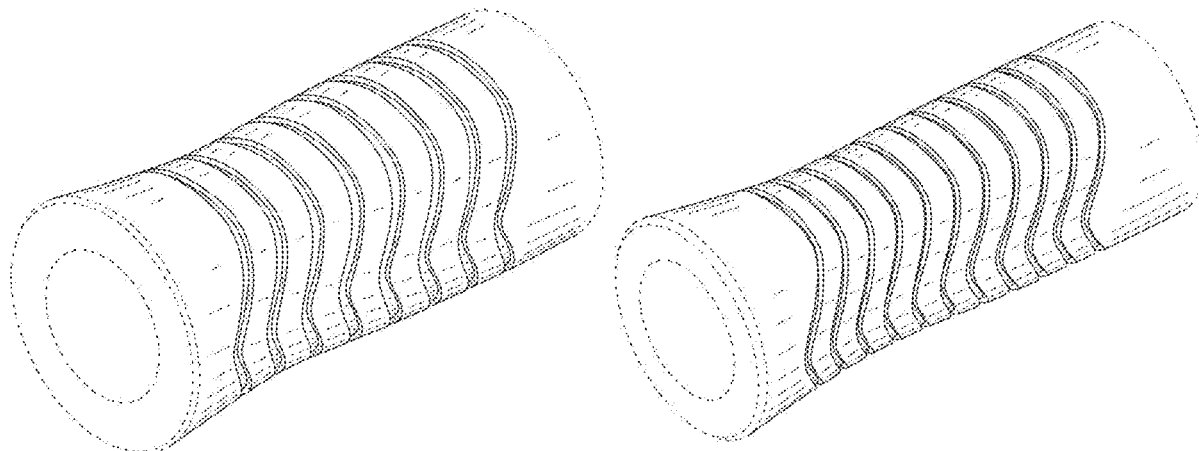
The ornamental design for a soldering tool grip, as shown and described.

**DESCRIPTION**

FIG. 1 is a perspective view of a soldering tool grip according to a first embodiment;

FIG. 2 is a top view of the soldering tool grip of FIG. 1; FIG. 3 is a bottom view of the soldering tool grip of FIG. 1; FIG. 4 is a left side view of the soldering tool grip of FIG. 1; FIG. 5 is a right side view of the soldering tool grip of FIG. 1; FIG. 6 is a front view of the soldering tool grip of FIG. 1; FIG. 7 is a rear view of the soldering tool grip of FIG. 1; FIG. 8 is a perspective view of a soldering tool grip of FIG. 1 shown in use on a soldering tool; FIG. 9 is a perspective view of a soldering tool grip according to a second embodiment; FIG. 10 is a top view of the soldering tool grip of FIG. 9; FIG. 11 is a bottom view of the soldering tool grip of FIG. 9; FIG. 12 is a left side view of the soldering tool grip of FIG. 9; FIG. 13 is a right side view of the soldering tool grip of FIG. 9; FIG. 14 is a front view of the soldering tool grip of FIG. 9; FIG. 15 is a rear view of the soldering tool grip of FIG. 9; FIG. 16 is a perspective view of a soldering tool grip of FIG. 9 shown in use on a soldering tool; FIG. 17 is a perspective view of a soldering tool grip according to a third embodiment; FIG. 18 is a top view of soldering tool grip of FIG. 17; FIG. 19 is a bottom view of soldering tool grip of FIG. 17; FIG. 20 is a left side view of soldering tool grip of FIG. 17; FIG. 21 is a right side view of soldering tool grip of FIG. 17; FIG. 22 is a front view of soldering tool grip of FIG. 17; FIG. 23 is a rear view of soldering tool grip of FIG. 17; and, FIG. 24 is a perspective view of a soldering tool grip of FIG. 17 shown in use on a soldering tool. The broken lines shown represent environmental subject matter and portions of the soldering tool grip that form no part of the claimed design.

**1 Claim, 15 Drawing Sheets**



(58) **Field of Classification Search**

CPC ..... Y10T 16/469; Y10T 16/44; Y10T 16/466;  
Y10T 16/4713; Y10T 16/459; Y10T  
74/20828; Y10T 29/49826; Y10T  
74/20732; Y10T 16/4559; Y10T  
74/20864; Y10T 74/20822; A46B 5/026;  
A46B 2200/302; A46B 5/021; A47L  
13/022; A47L 1/06; A47L 13/20; A47L  
11/4075; B25G 1/10; B25G 1/00; B25G  
3/04; B25G 3/00; Y10S 16/12; Y10S  
16/19; Y10S 16/41; Y10S 16/90; Y10S  
16/40

See application file for complete search history.

(56) **References Cited**

U.S. PATENT DOCUMENTS

D381,887 S \* 8/1997 Chen ..... D8/300  
D396,625 S \* 8/1998 Vasudeva ..... D8/107  
D429,990 S \* 8/2000 Kunkler ..... D8/303  
D651,056 S \* 12/2011 Robinson ..... D8/25  
D657,652 S \* 4/2012 Lin ..... D8/303  
D723,791 S \* 3/2015 Headley ..... D3/12  
D807,134 S \* 1/2018 Hughes ..... D8/45  
D886,314 S \* 6/2020 Morris ..... D24/211  
2014/0338245 A1\* 11/2014 Lanasa ..... F41C 23/16  
42/72  
2019/0343713 A1\* 11/2019 Boghosian ..... A61H 15/0092

\* cited by examiner

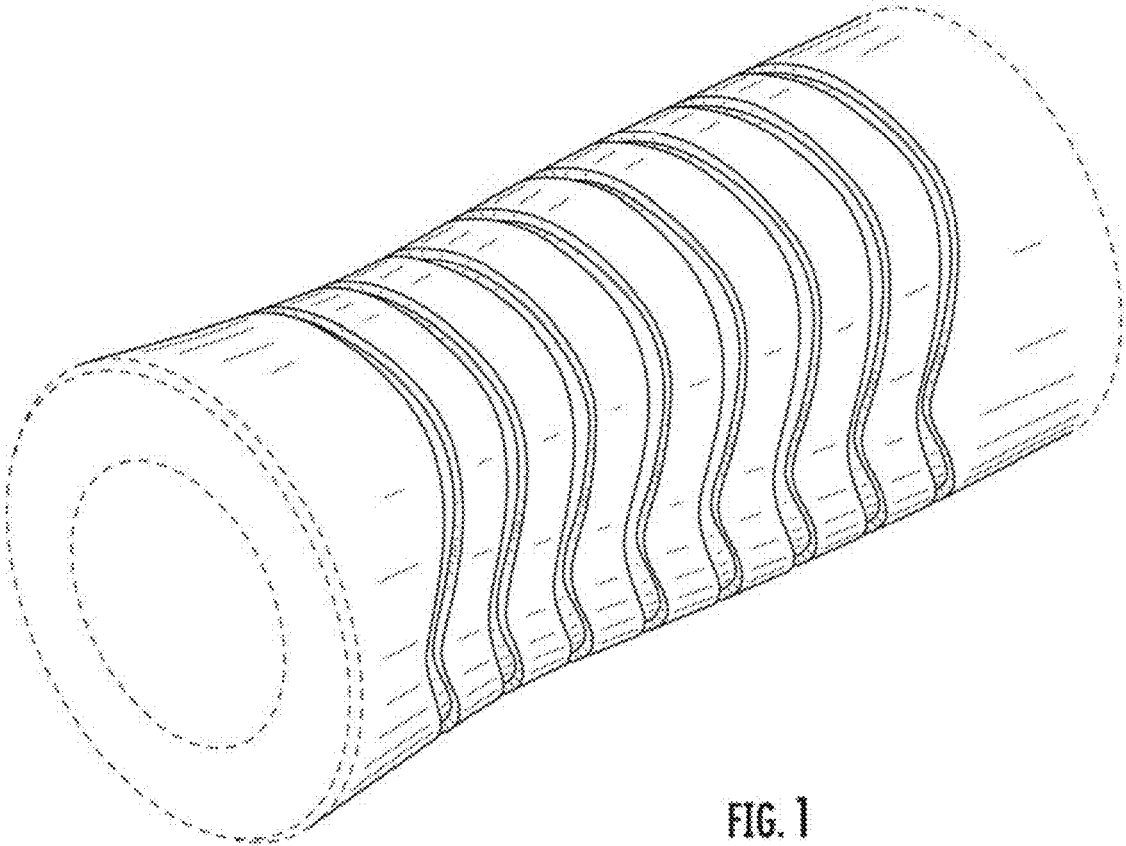


FIG. 1

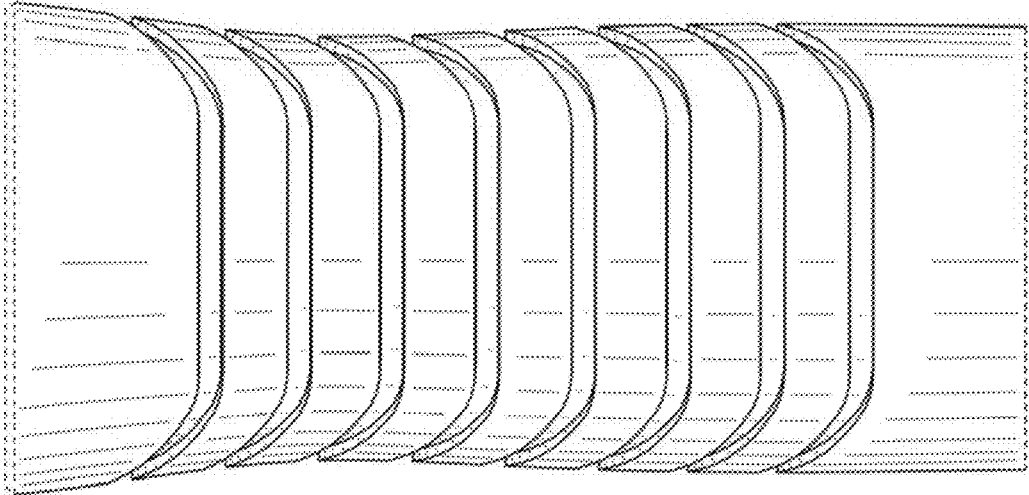


FIG. 2

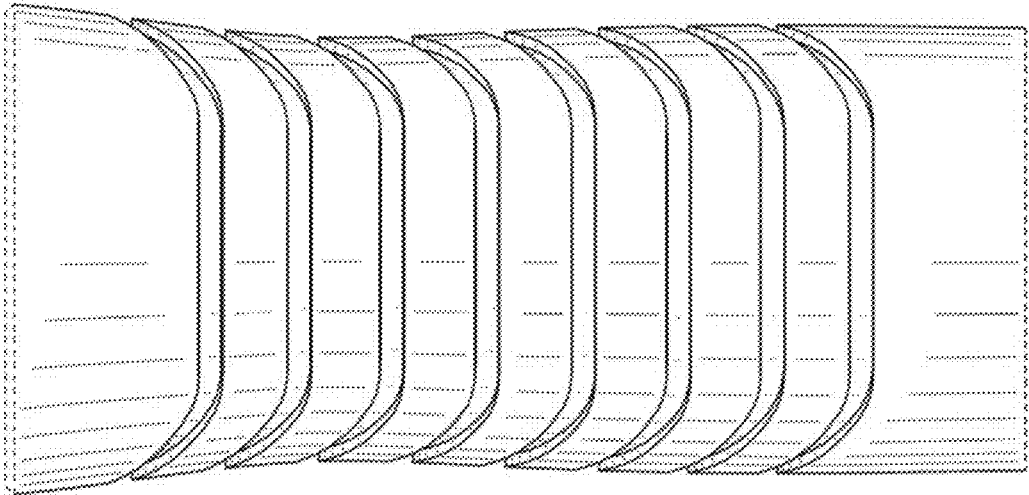


FIG. 3

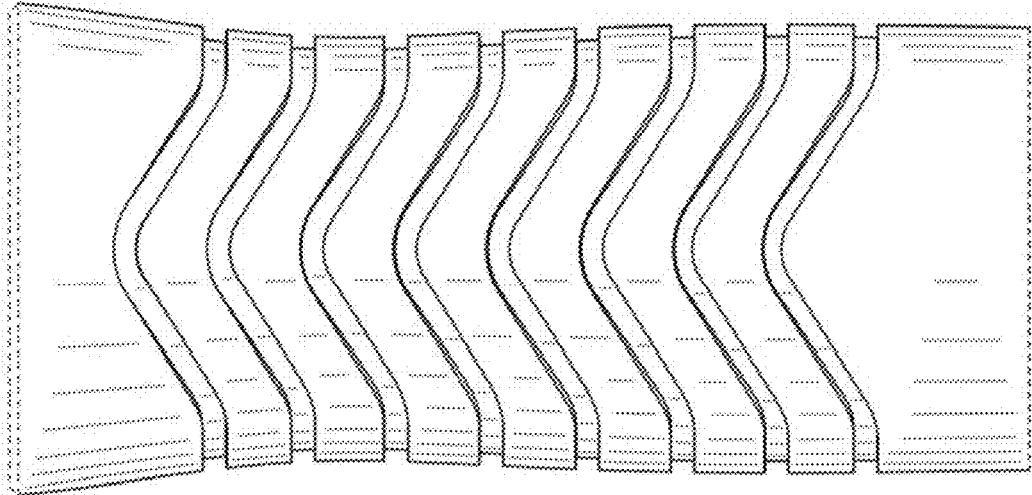


FIG. 4

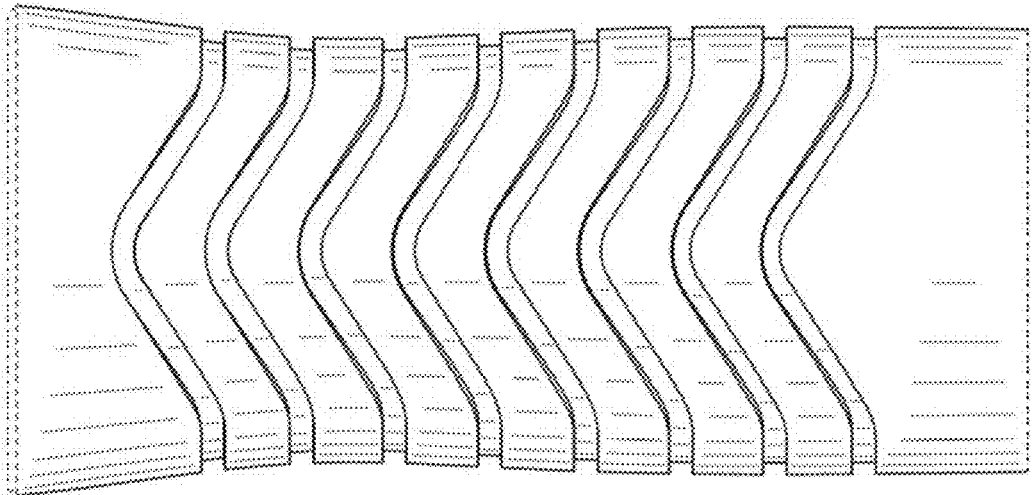


FIG. 5

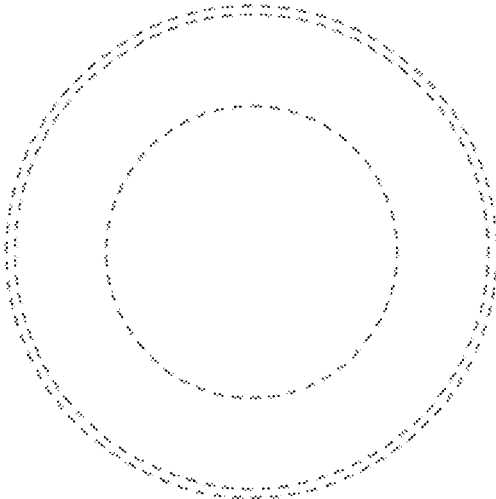


FIG. 6

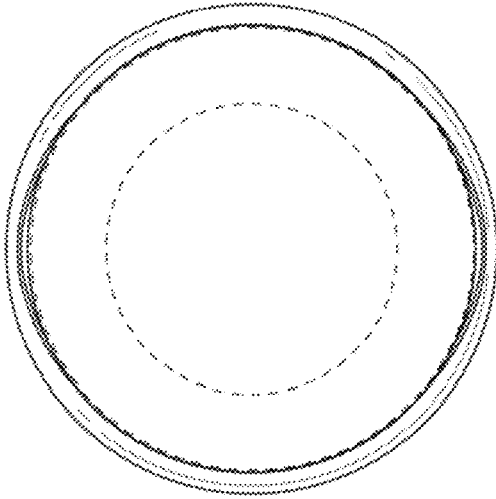


FIG. 7

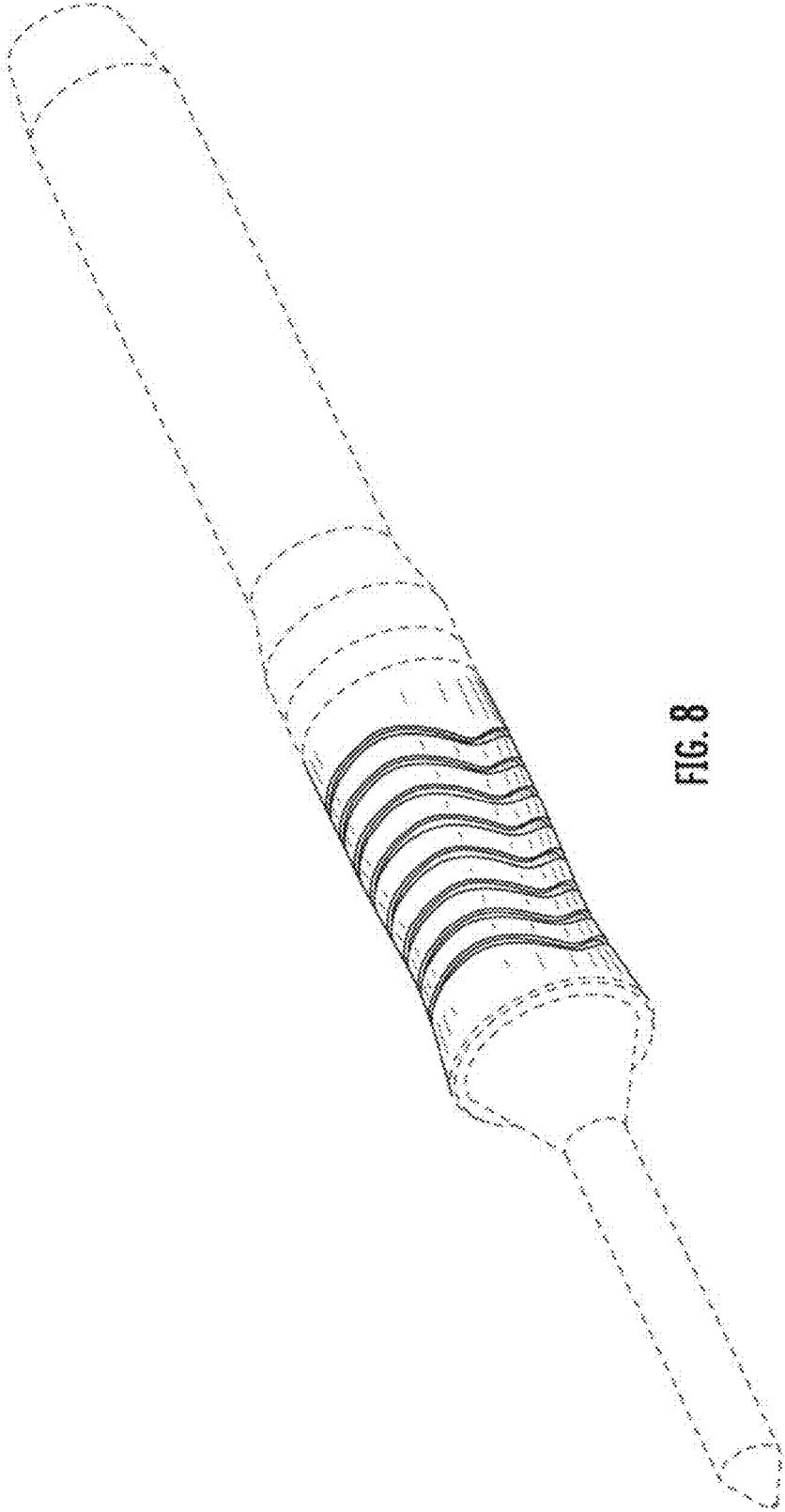


FIG. 8

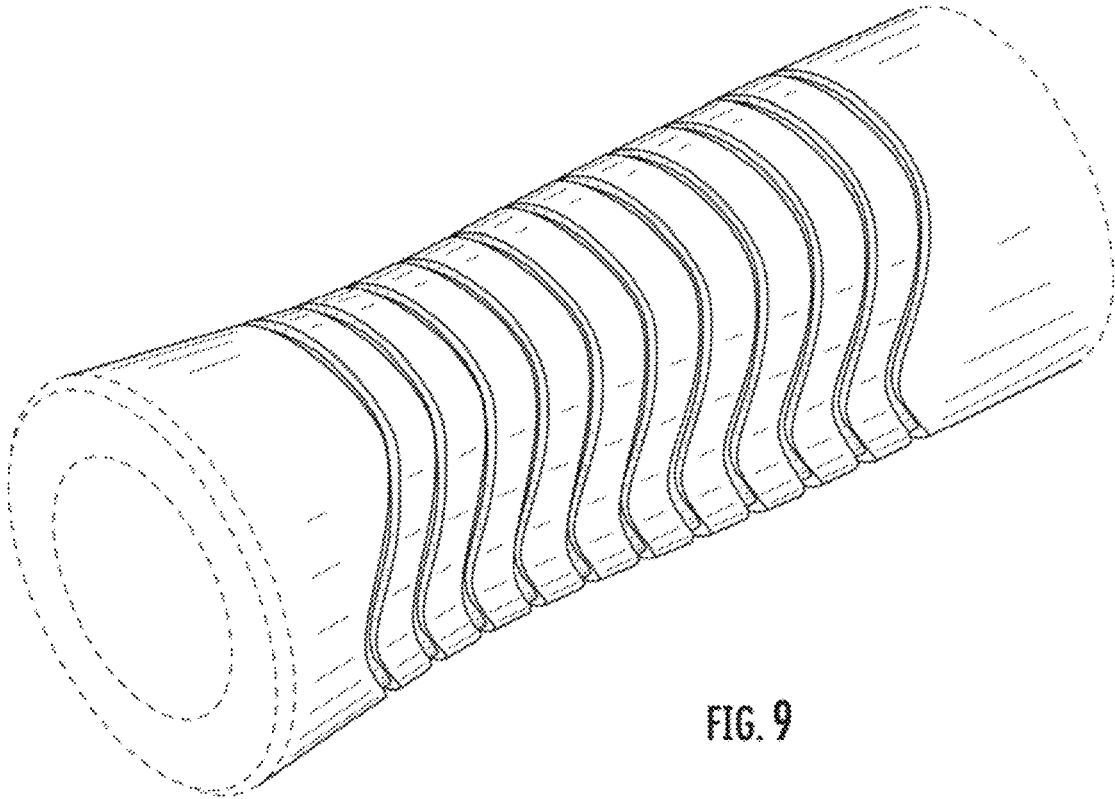


FIG. 9



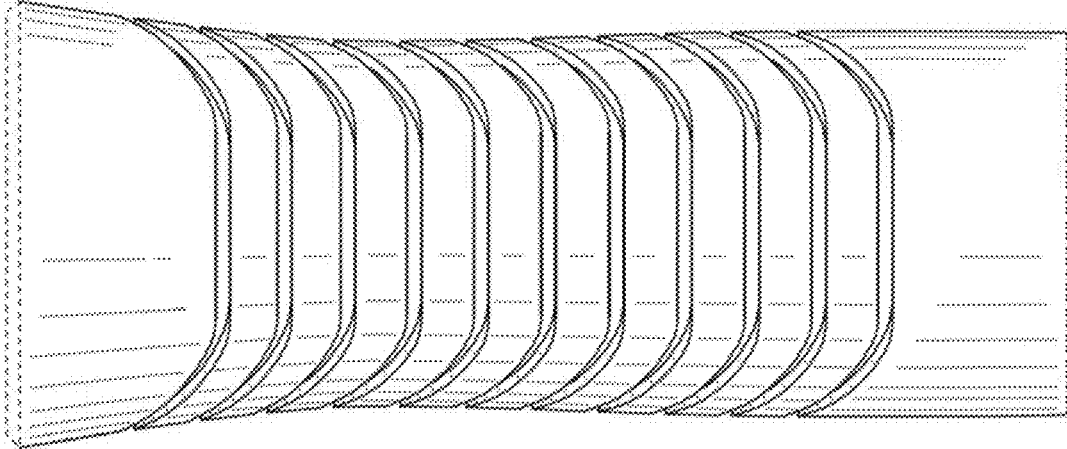


FIG. 10

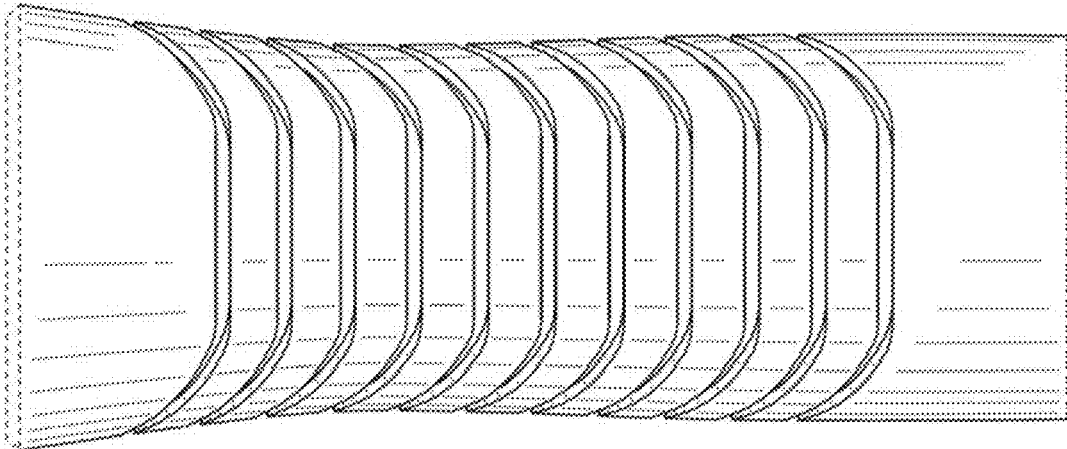


FIG. 11

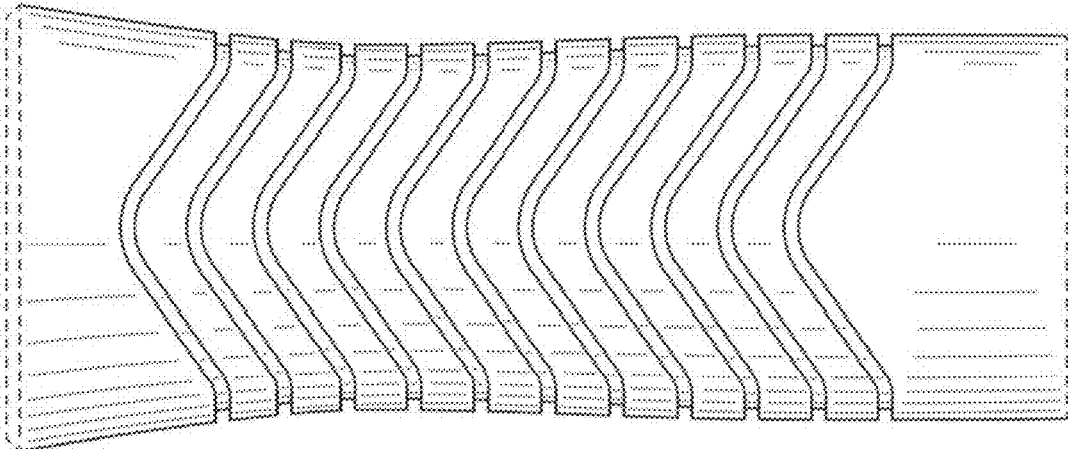


FIG. 12

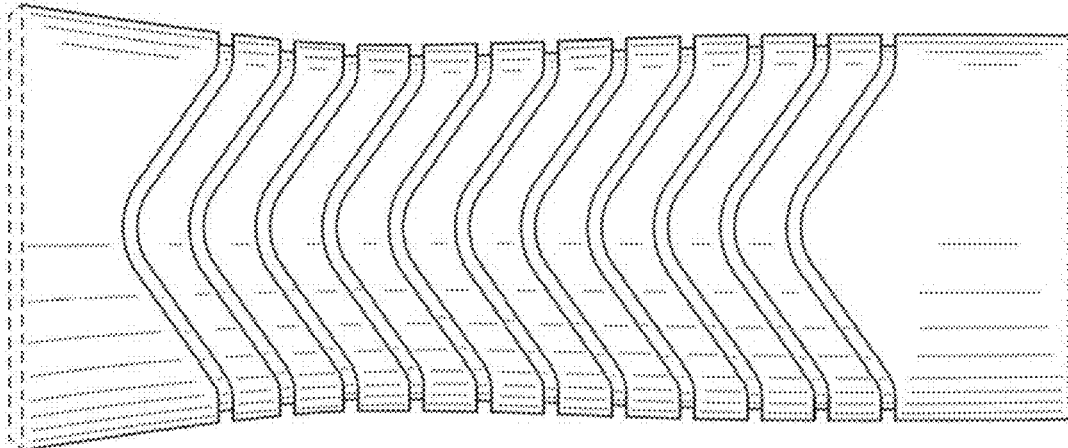


FIG. 13

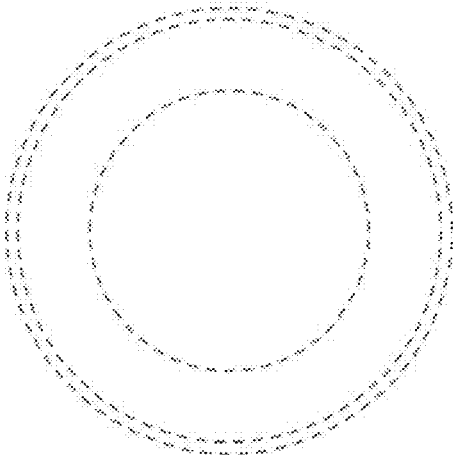


FIG. 14

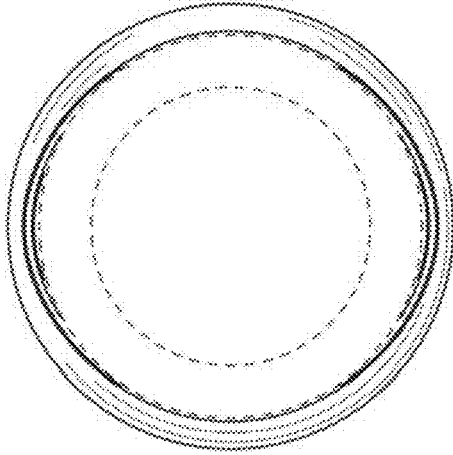


FIG. 15

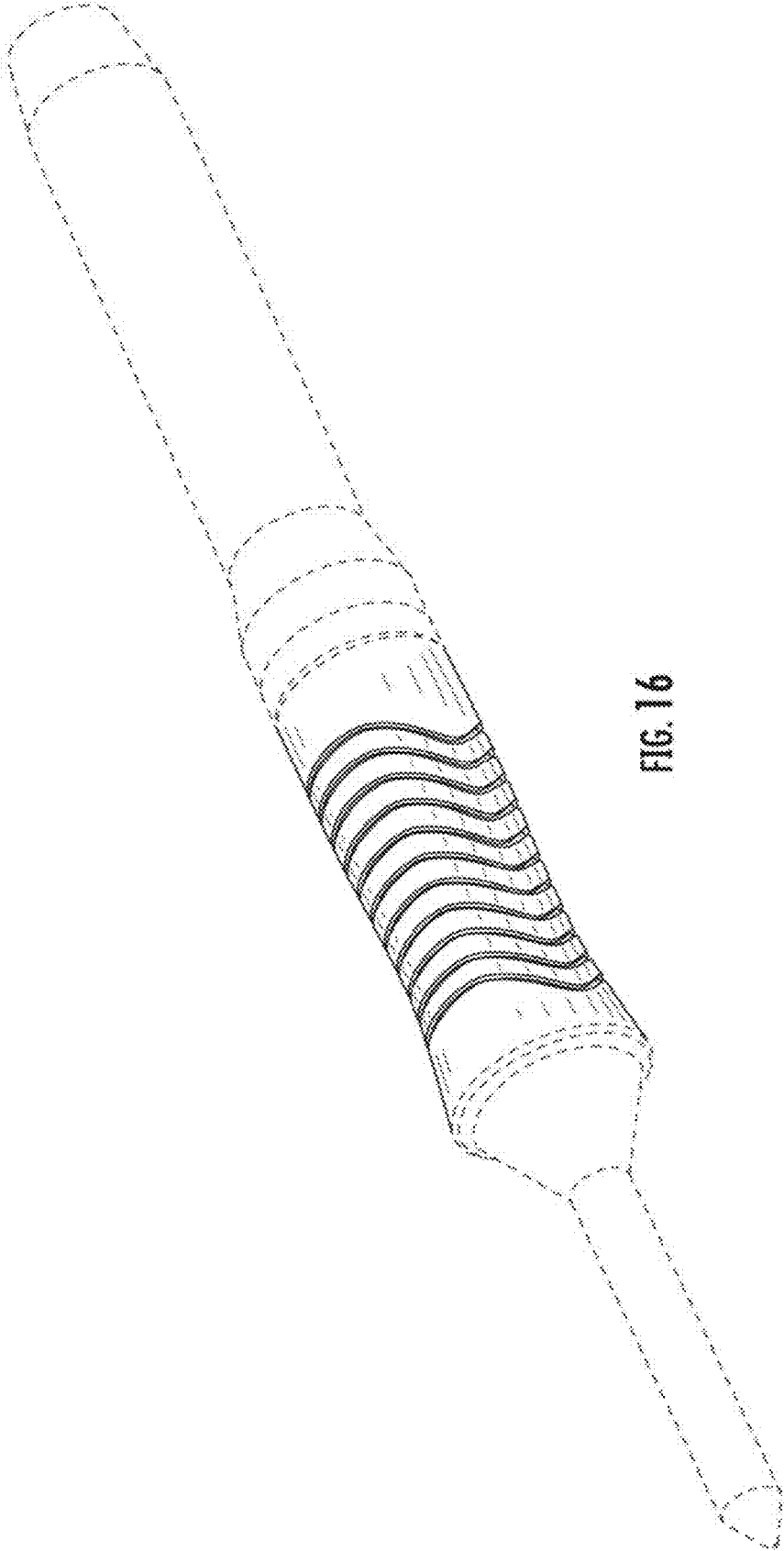


FIG. 16

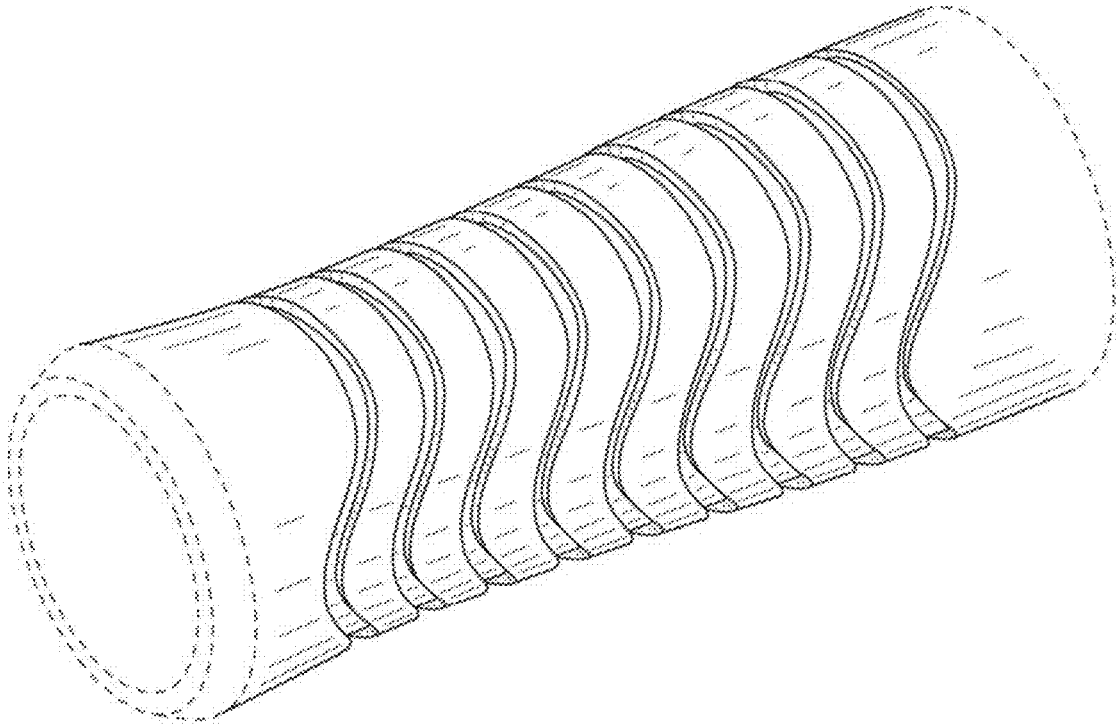


FIG. 17

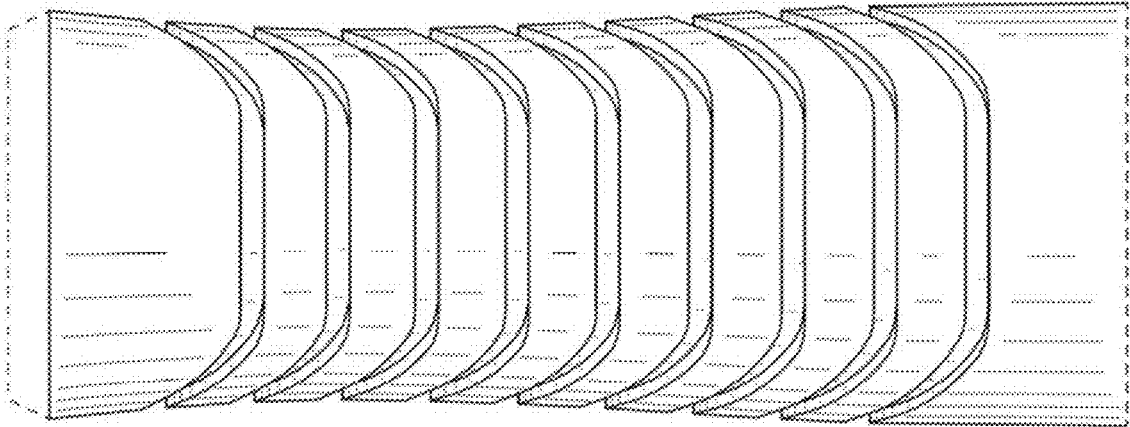


FIG. 18

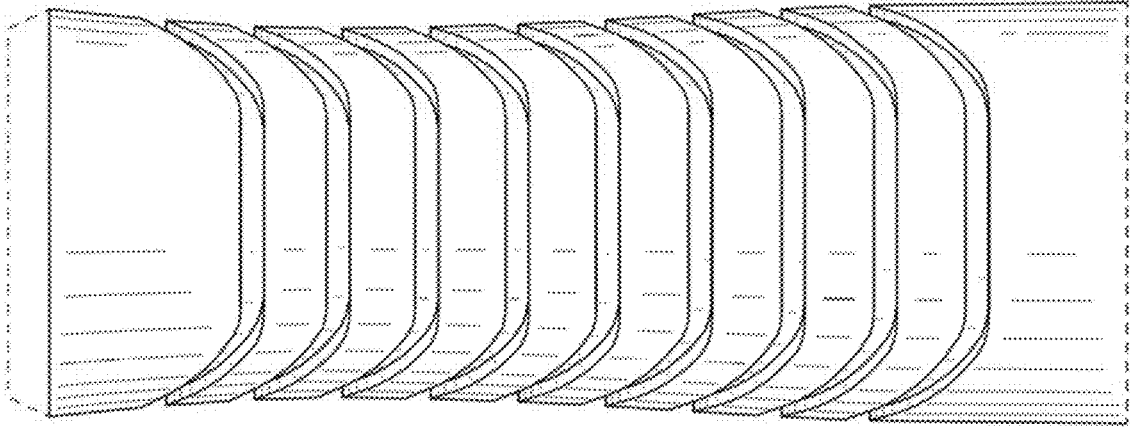


FIG. 19

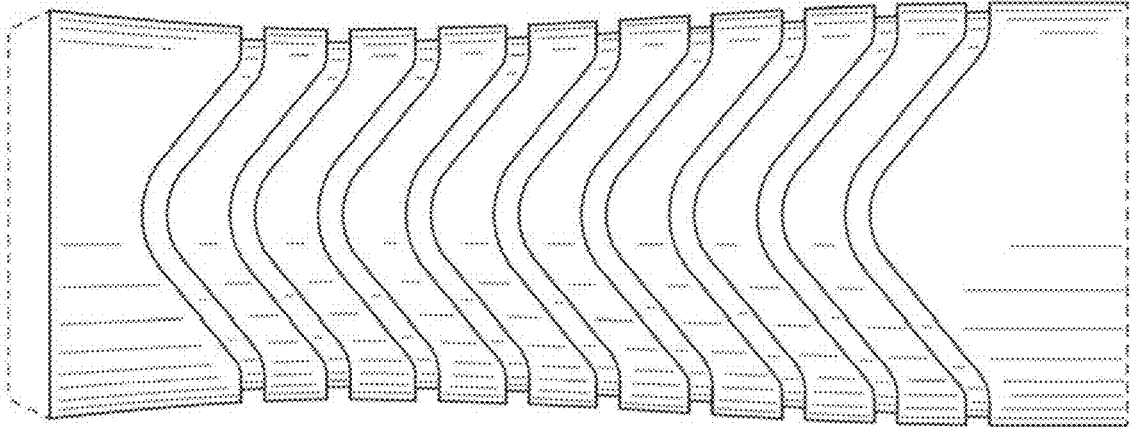


FIG. 20

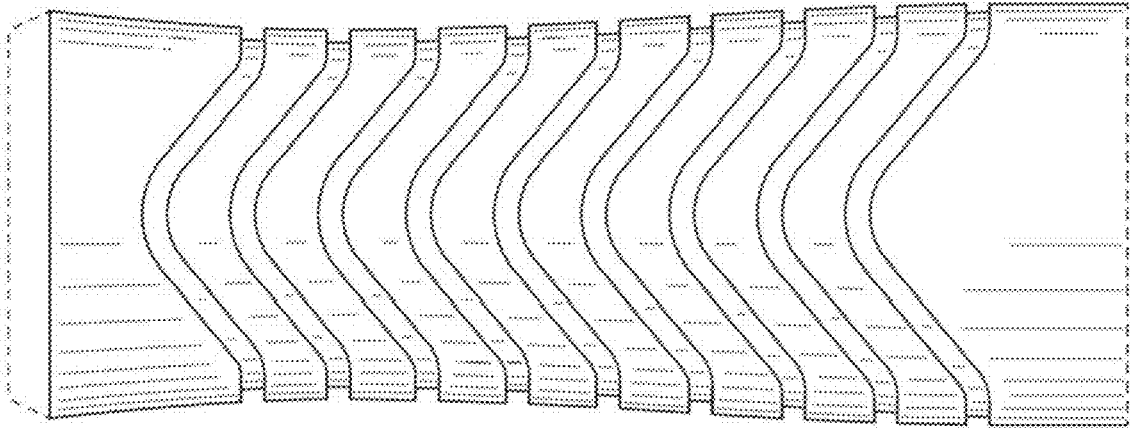


FIG. 21

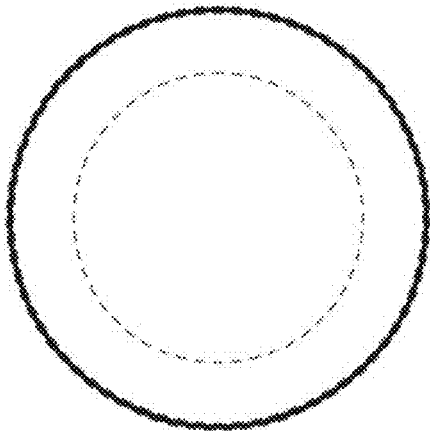


FIG. 22

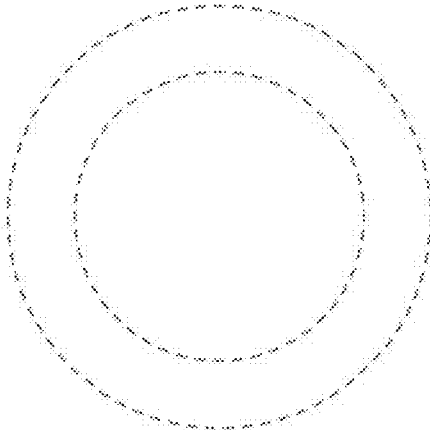


FIG. 23



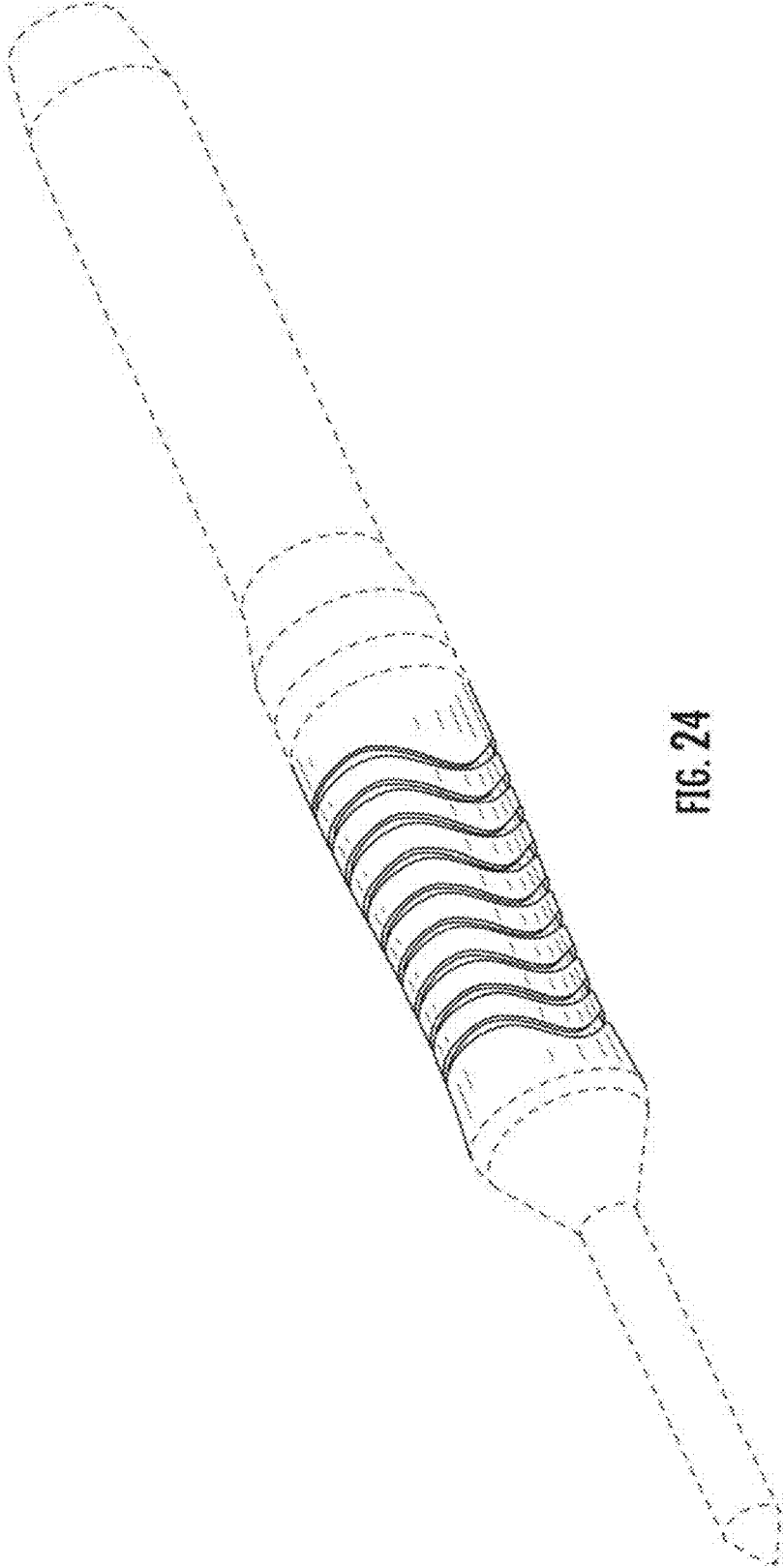


FIG. 24