



US00D959764S

(12) **United States Design Patent**  
**Golec**

(10) **Patent No.:** **US D959,764 S**

(45) **Date of Patent:** **\*\* Aug. 2, 2022**

(54) **COMBINED PET LITTER BOX AND SCOOP**

(71) Applicant: **Rodney Ray Golec**, Plymouth, MI (US)

(72) Inventor: **Rodney Ray Golec**, Plymouth, MI (US)

(\*\*) Term: **15 Years**

(21) Appl. No.: **29/732,722**

(22) Filed: **Apr. 27, 2020**

(51) **LOC (13) Cl.** ..... **30-99**

(52) **U.S. Cl.**  
USPC ..... **D30/161**

(58) **Field of Classification Search**  
USPC ..... D3/299; D9/414, 432, 433; D30/108,  
D30/109, 161, 162

(Continued)

(56) **References Cited**

**U.S. PATENT DOCUMENTS**

3,154,052 A \* 10/1964 Sweeney ..... B65D 5/6626  
119/168  
3,246,829 A \* 4/1966 Sexton ..... B65D 5/247  
229/228

(Continued)

**FOREIGN PATENT DOCUMENTS**

CN 305494722 \* 12/2019  
EM 000251251-0001 \* 5/2007

(Continued)

**OTHER PUBLICATIONS**

Cat Box Eco Cat Toilet for Four Weeks, available in Amazon.com, date first available Jul. 1, 2019 [online], [site visited Dec. 22, 2021], Available from the internet URL: [https://www.amazon.com/dp/B07TV6MNX7/ref=cm\\_sw\\_em\\_r\\_mt\\_dp\\_SEHJWTOJ7SM68S1011X2](https://www.amazon.com/dp/B07TV6MNX7/ref=cm_sw_em_r_mt_dp_SEHJWTOJ7SM68S1011X2) (Year: 2019).\*

(Continued)

*Primary Examiner* — Jennifer L Rempfer

*Assistant Examiner* — Elizabeth Anne Glassberg

(74) *Attorney, Agent, or Firm* — Quinn IP Law

(57) **CLAIM**

The ornamental design for a combined pet litter box and scoop, as shown and described.

**DESCRIPTION**

FIG. 1 is a perspective view of a combined pet litter box and scoop showing my new design.

FIG. 2 is a perspective view thereof, shown without the scoop for ease of illustration.

FIG. 3 is a top view thereof, shown without the scoop for ease of illustration.

FIG. 4 is a bottom view thereof, shown without the scoop for ease of illustration.

FIG. 5 is a right side elevation view thereof, shown without the scoop for ease of illustration.

FIG. 6 is a left side elevation view thereof, shown without the scoop for ease of illustration.

FIG. 7 is a rear view thereof, shown without the scoop for ease of illustration.

FIG. 8 is front view of the carton blank for the pet waste tray of the pet waste kit.

FIG. 9 is a perspective view thereof, shown without the pet litter box for ease of illustration, shown in enlarged scale.

FIG. 10 is a top view thereof, shown without the pet litter box for ease of illustration, shown in enlarged scale.

FIG. 11 is a bottom view thereof, shown without the pet litter box for ease of illustration, shown in enlarged scale.

FIG. 12 is a right side elevation view thereof, shown without the pet litter box for ease of illustration, shown in enlarged scale.

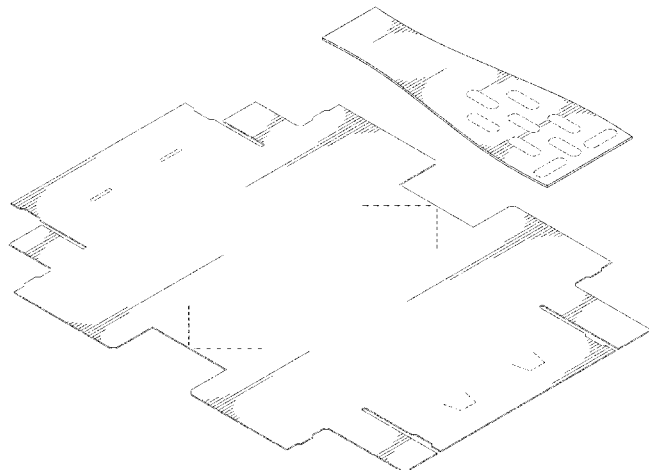
FIG. 13 is a left side elevation view thereof, shown without the pet litter box for ease of illustration, shown in enlarged scale.

FIG. 14 is a rear view thereof, shown without the pet litter box for ease of illustration, shown in enlarged scale; and,

FIG. 15 is a front view thereof, shown without the pet litter box for ease of illustration, shown in enlarged scale.

All broken lines in the figures illustrate portions of the combined pet litter box and scoop to which the design is applied that form no part of the claim. The short-dashed lines

(Continued)



are perforation lines that form no part of the claim—the surfaces within the perforated portions also form no part of the claim. The long-dashed fold lines shown in FIGS. 1-4 form no part of the claim.

**1 Claim, 9 Drawing Sheets**

(58) **Field of Classification Search**

CPC ..... A01K 1/01; A01K 1/0107; A01K 1/0111;  
 A01K 1/0114; A01K 1/0117; A01K  
 1/0121; A01K 1/0125; A01K 1/0128;  
 A01K 1/0132; A01K 1/0135; A01K  
 1/0139; A01K 1/0142; A01K 1/0151;  
 A01K 1/0155; A01K 23/005; E01H  
 2001/128; E01H 2001/1286; E01H  
 1/1206; B65D 5/26; B65D 5/4295; B65D  
 5/4204

See application file for complete search history.

(56) **References Cited**

U.S. PATENT DOCUMENTS

D244,833 S \* 6/1977 Persson ..... A01K 1/0114  
 D9/423  
 4,136,816 A \* 1/1979 Gardner ..... B65D 5/6664  
 229/144  
 4,807,563 A \* 2/1989 Berry ..... A01K 1/0125  
 119/168  
 5,144,914 A \* 9/1992 Giannakopoulos .. A01K 1/0107  
 119/168  
 5,332,146 A \* 7/1994 Brauner ..... B65D 5/029  
 229/116.1  
 6,382,131 B1 \* 5/2002 McGivern ..... A01K 1/0125  
 119/165

D583,662 S \* 12/2008 Luciano, Jr. .... B65D 5/6664  
 D9/433  
 2006/0260554 A1 \* 11/2006 Lau ..... E01H 1/1206  
 119/161  
 2013/0112149 A1 \* 5/2013 Robbins ..... A01K 1/0114  
 119/166

FOREIGN PATENT DOCUMENTS

EM 002634303-0001 \* 6/2015  
 GB 5002735 \* 5/2016  
 KR 301128693 \* 9/2021

OTHER PUBLICATIONS

Kitty Kan Quality Disposable Enclosed Litter Box, available in Amazon.com, date first available May 22, 2012 [online], [site visited Dec. 22, 2021], Available from the internet URL: [https://www.amazon.com/dp/B0084AQRS2/ref=cm\\_sw\\_em\\_r\\_mt\\_dp\\_723ETTDH1KCMNRHV5EDH](https://www.amazon.com/dp/B0084AQRS2/ref=cm_sw_em_r_mt_dp_723ETTDH1KCMNRHV5EDH) (Year: 2012).\*

Litter One Biodegradable Cat Litter, available in Amazon.com, date first available Nov. 29, 2012 [online], [site visited Dec. 22, 2021], Available from the internet URL: [https://www.amazon.com/dp/B00AFDJSUU/ref=cm\\_sw\\_em\\_r\\_mt\\_dp\\_B5KN6SNS1V1E0QN5VHDX](https://www.amazon.com/dp/B00AFDJSUU/ref=cm_sw_em_r_mt_dp_B5KN6SNS1V1E0QN5VHDX) (Year: 2012).\*

PetSafe Disposable Cat Litter Box, available in Amazon.com, date first available Apr. 21, 2017 [online], [site visited Dec. 22, 2021], Available from the internet URL: [https://www.amazon.com/dp/B06XY9D4TY/ref=cm\\_sw\\_em\\_r\\_mt\\_dp\\_K7CD0QG9WSW2DSMDSRK2](https://www.amazon.com/dp/B06XY9D4TY/ref=cm_sw_em_r_mt_dp_K7CD0QG9WSW2DSMDSRK2) (Year: 2017).\*

Skoon All-Natural Cat Litter Disposable Litter Box, available in Amazon.com, date first available Feb. 11, 2019 [online], [site visited Dec. 22, 2021], Available from the internet URL: [https://www.amazon.com/dp/B07W4666MX/ref=cm\\_sw\\_em\\_r\\_mt\\_dp\\_4NV7JNEZXWFK61GHRD76](https://www.amazon.com/dp/B07W4666MX/ref=cm_sw_em_r_mt_dp_4NV7JNEZXWFK61GHRD76) (Year: 2019).\*

Ten Second Litter Boxes, available in Amazon.com, date first available Aug. 18, 2015 [online], [site visited Dec. 22, 2021], Available from the internet URL: [https://www.amazon.com/dp/B0143J7G5U/ref=cm\\_sw\\_em\\_r\\_mt\\_dp\\_CKDXXY7ZHSXH9PW0GHPEA](https://www.amazon.com/dp/B0143J7G5U/ref=cm_sw_em_r_mt_dp_CKDXXY7ZHSXH9PW0GHPEA) (Year: 2015).\*

\* cited by examiner

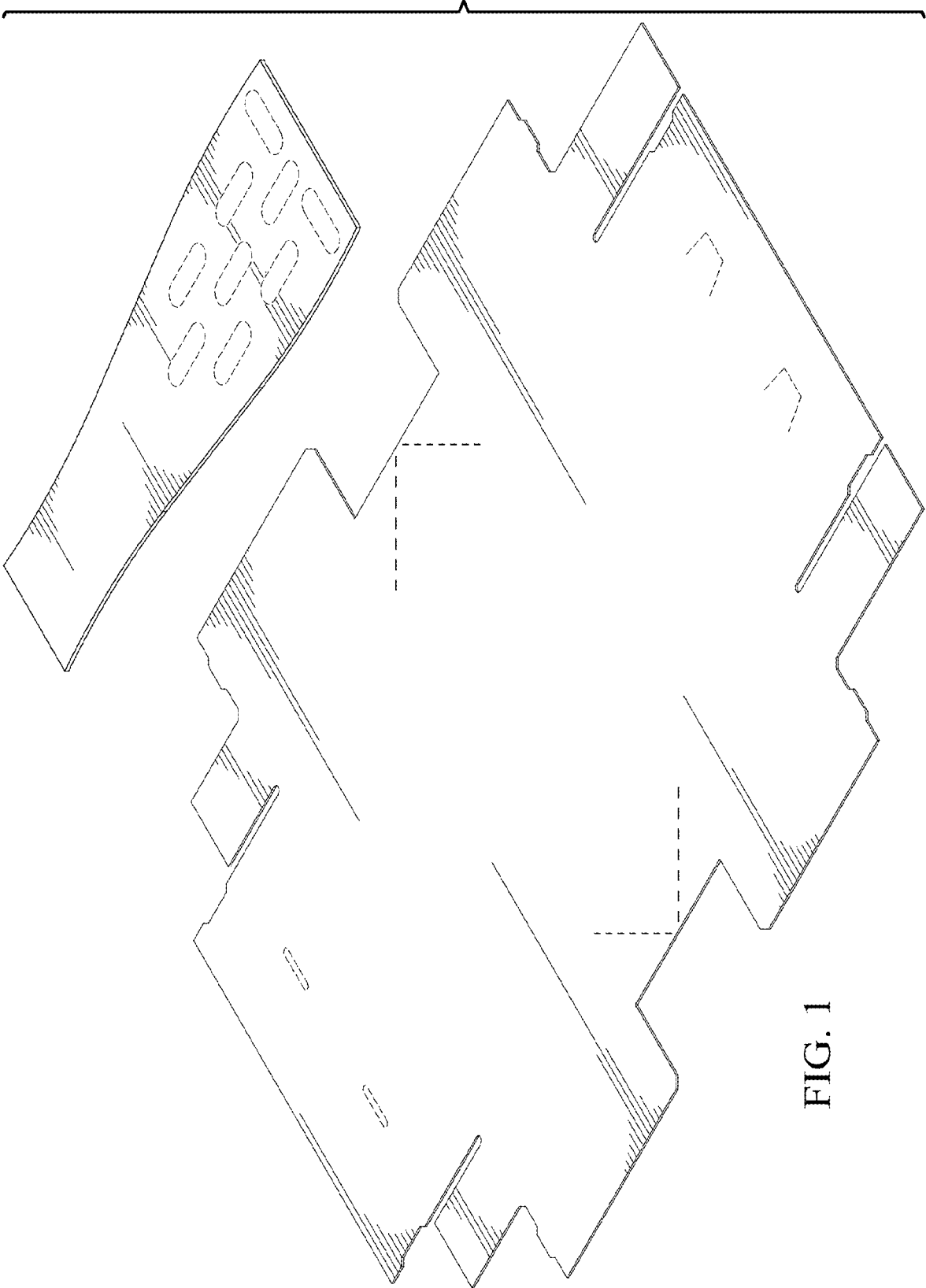


FIG. 1

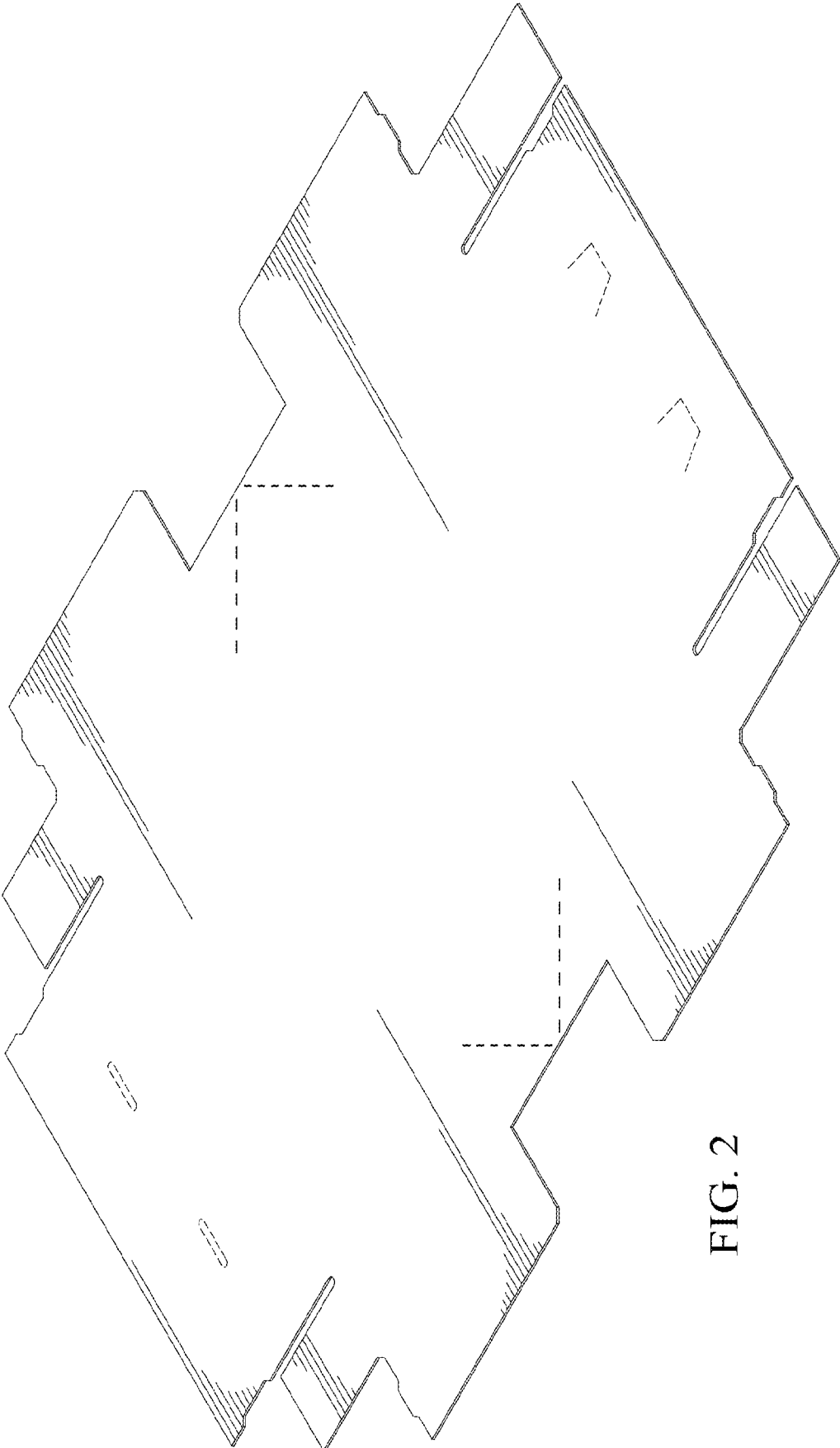


FIG. 2

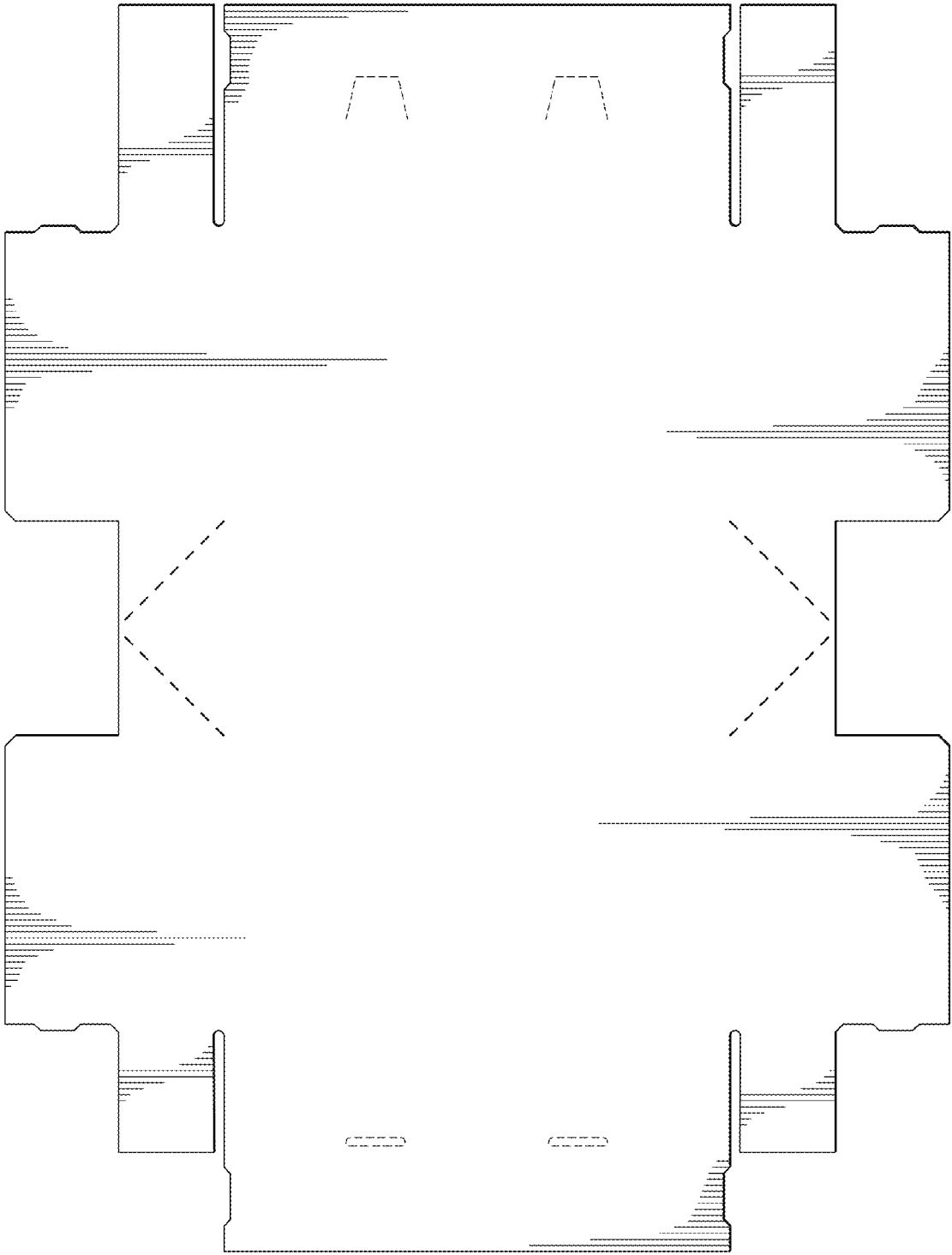


FIG. 3

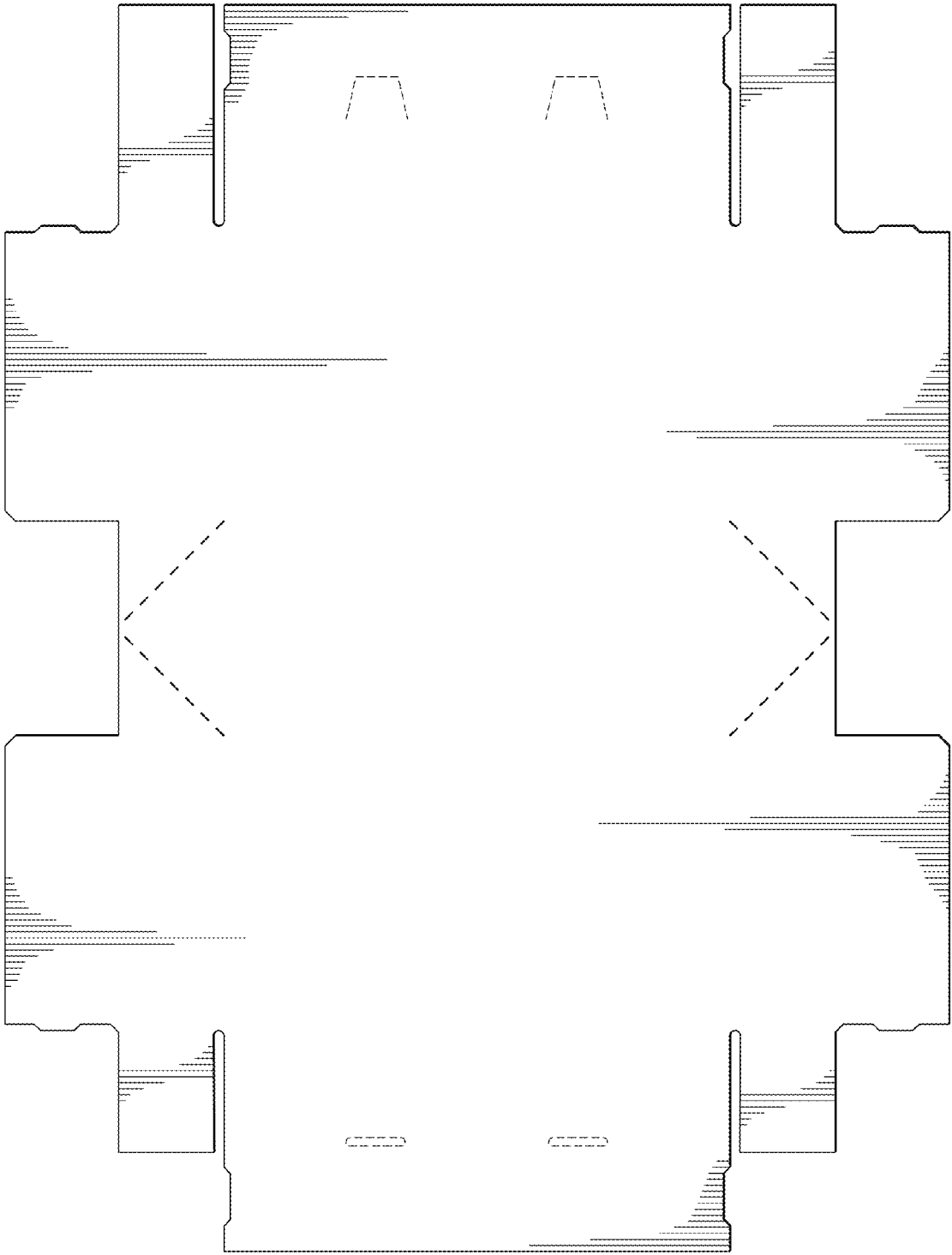


FIG. 4



FIG. 5



FIG. 6



FIG. 7



FIG. 8

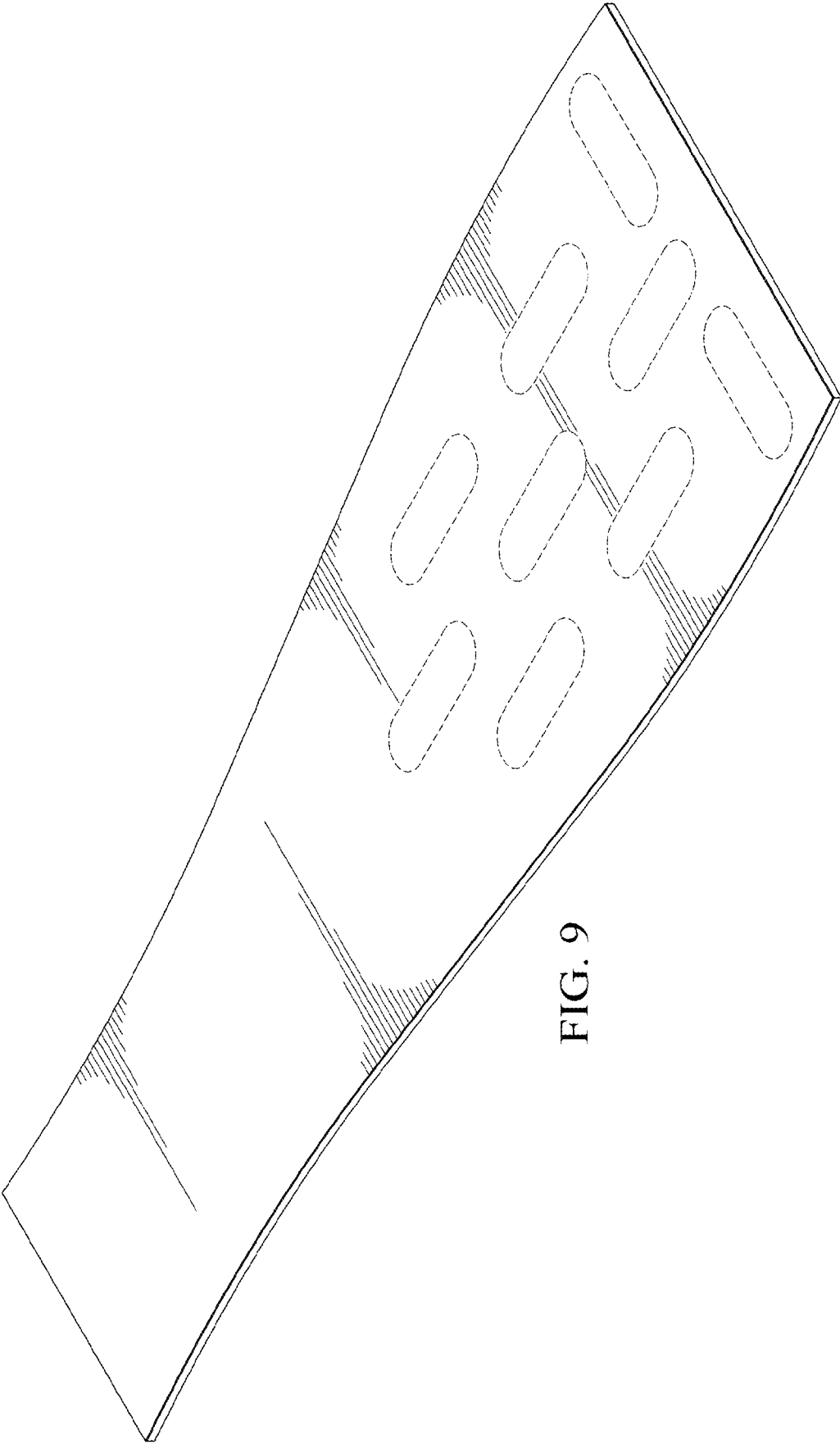


FIG. 9



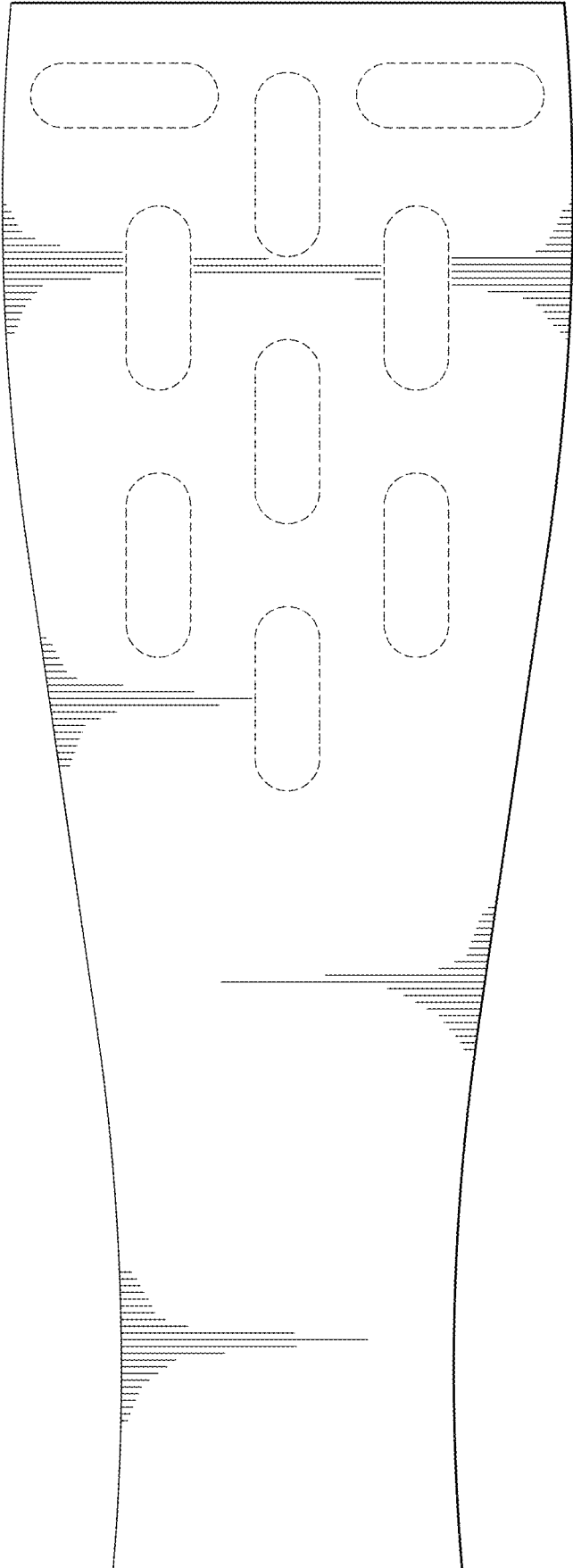


FIG. 10

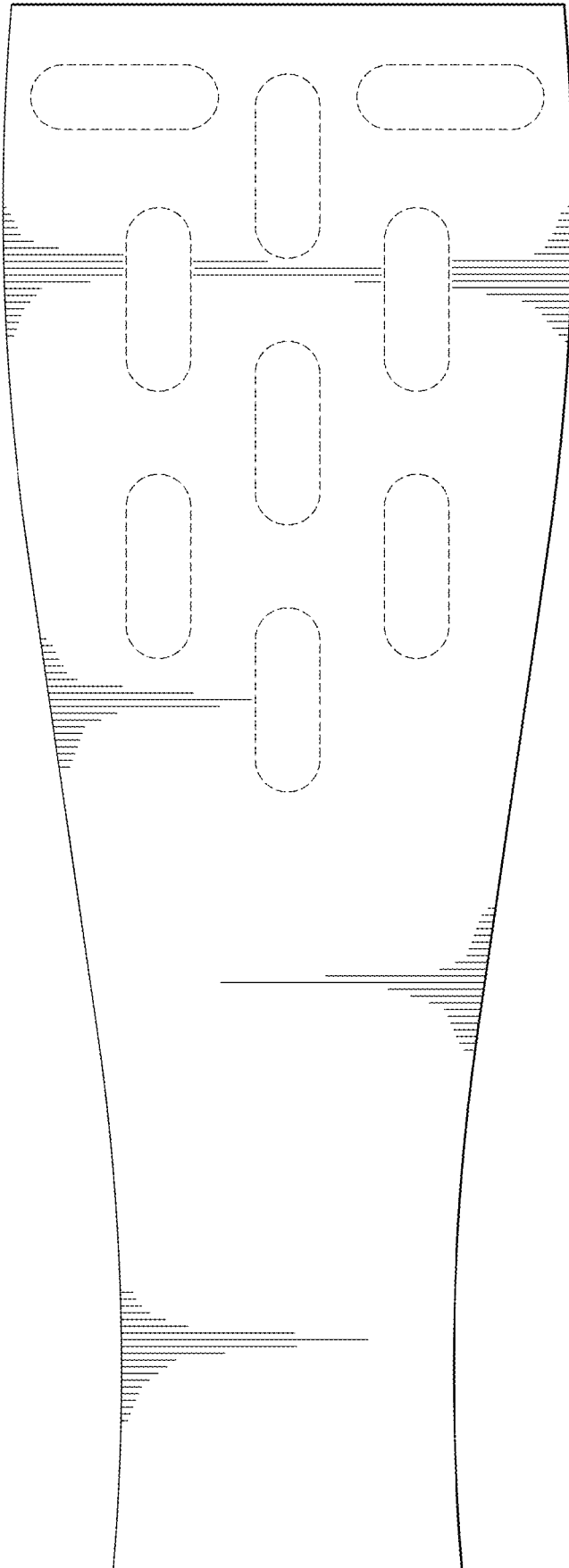


FIG. 11



FIG. 12



FIG. 13



FIG. 15

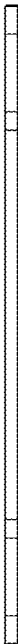


FIG. 14