



US00D902804S

(12) **United States Design Patent** (10) **Patent No.:** **US D902,804 S**
Guille (45) **Date of Patent:** **** Nov. 24, 2020**

(54) **FRONT BUMPER FOR A VEHICLE**

FOREIGN PATENT DOCUMENTS

(71) Applicant: **Bayerische Motoren Werke Aktiengesellschaft**, Munich (DE)

WO WO DM/099883 8/2018
WO WO DM/201042 6/2019
WO WO DM/200928 10/2019

(72) Inventor: **Nicolas Guille**, Munich (DE)

* cited by examiner

(73) Assignee: **Bayerische Motoren Werke Aktiengesellschaft**, Munich (DE)

Primary Examiner — Melody N Brown

(74) *Attorney, Agent, or Firm* — Crowell & Moring LLP

(**) Term: **15 Years**

(21) Appl. No.: **29/705,756**

(57) **CLAIM**

The ornamental design for a front bumper for a vehicle, as shown and described.

(22) Filed: **Sep. 16, 2019**

(30) **Foreign Application Priority Data**

Mar. 25, 2019 (DE) 40 2019 100 370

(51) **LOC (12) CL.** **12-16**

(52) **U.S. CL.**
USPC **D12/169**

(58) **Field of Classification Search**

USPC D12/169, 196, 86, 90-92, 163, 190, 98,
D12/164; 293/102, 113, 115, 117, 120,
293/193.11; 296/180.1, 180.2; 180/68.1,
180/68.6
CPC B60R 19/52; B60K 11/08; B62D 25/08;
B62B 9/16

See application file for complete search history.

DESCRIPTION

This application contains subject matter related to the following co-pending U.S. design patent applications: Application Ser. No. 29/637,227, filed Feb. 15, 2018 and entitled "FRONT BUMPER FOR A VEHICLE"; Application Ser. No. 29/676,461, filed Jan. 11, 2019 and entitled "FRONT BUMPER FOR A VEHICLE"; Application Ser. No. 29/689,420, filed Apr. 30, 2019 and entitled "FRONT BUMPER FOR A VEHICLE"; Application Ser. No. 29/705,755, filed herewith and entitled "VEHICLE, TOY, AND/OR REPLICAS THEREOF"; and Application Ser. No. 29/705,762, filed herewith and entitled "FRONT BUMPER FOR A VEHICLE".

FIG. 1 is a front view of a front bumper for a vehicle according to the design;

FIG. 2 is a right, front perspective view thereof;

FIG. 3 is a left, bottom perspective view thereof;

FIG. 4 is a right side view thereof;

FIG. 5 is a left side view thereof;

FIG. 6 is a top view thereof;

FIG. 7 is a bottom view thereof; and,

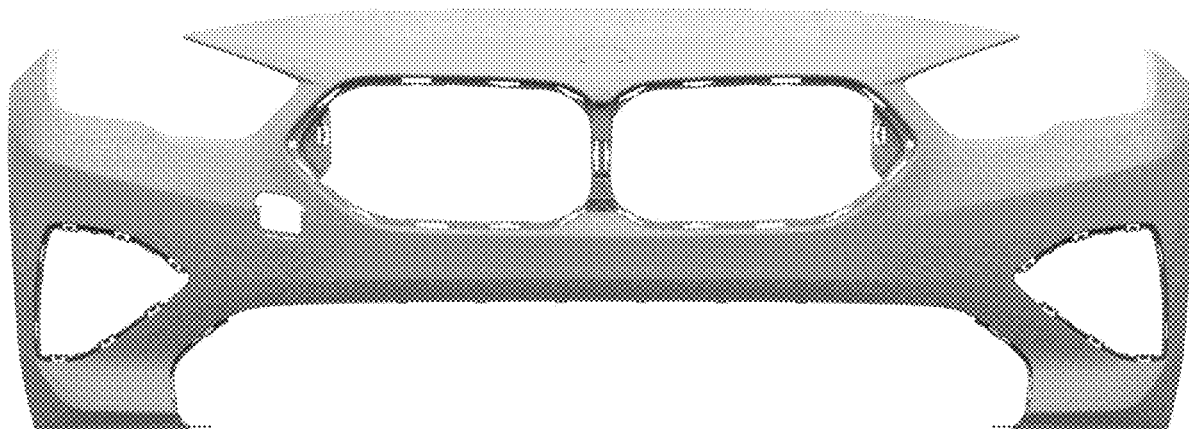
FIG. 8 is a rear view thereof.

(56) **References Cited**

U.S. PATENT DOCUMENTS

D820,743 S * 6/2018 Attar D12/169
D825,412 S 8/2018 Luk
D848,326 S 5/2019 Ojea
D877,668 S * 3/2020 Bucher et al. D12/169
D885,267 S * 5/2020 Tanghe D12/169
D889,330 S * 7/2020 Patel et al. D12/169
D890,649 S * 7/2020 Kang D12/169
D890,650 S * 7/2020 Kang D12/169

1 Claim, 8 Drawing Sheets



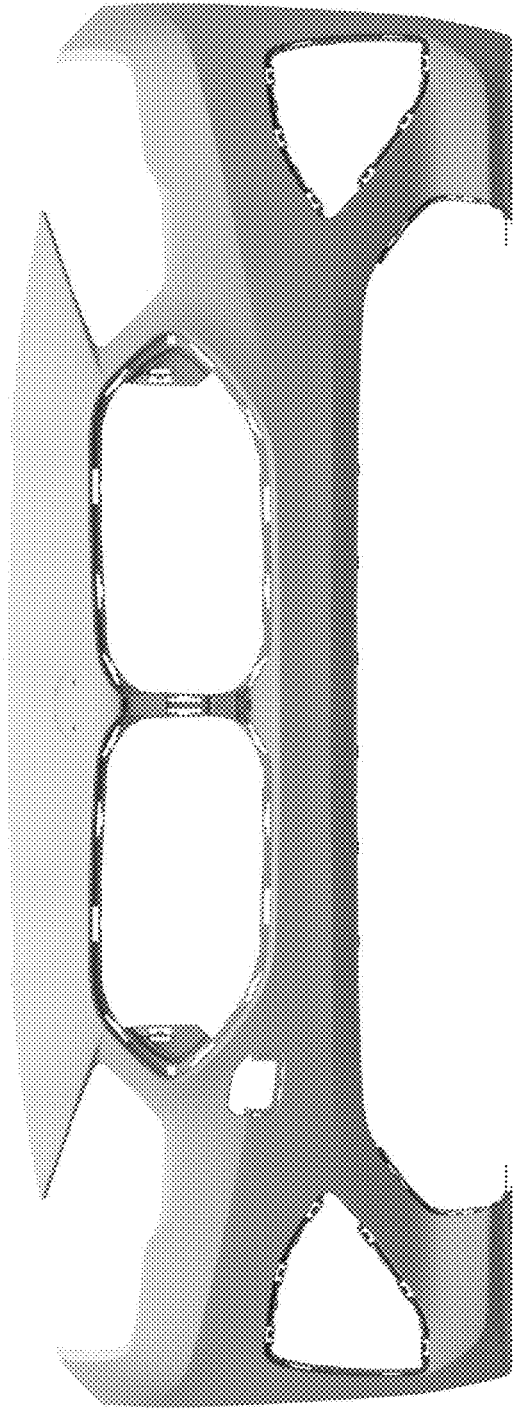


Fig. 1

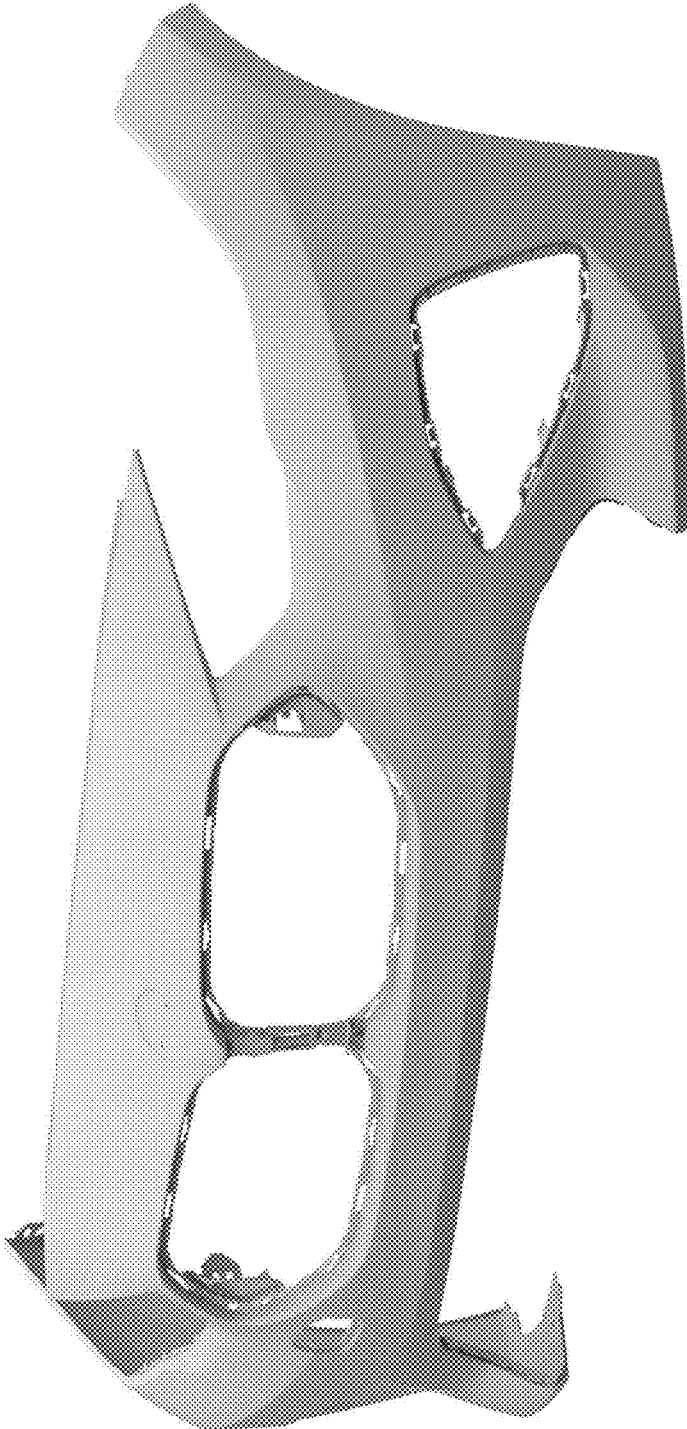


Fig. 2

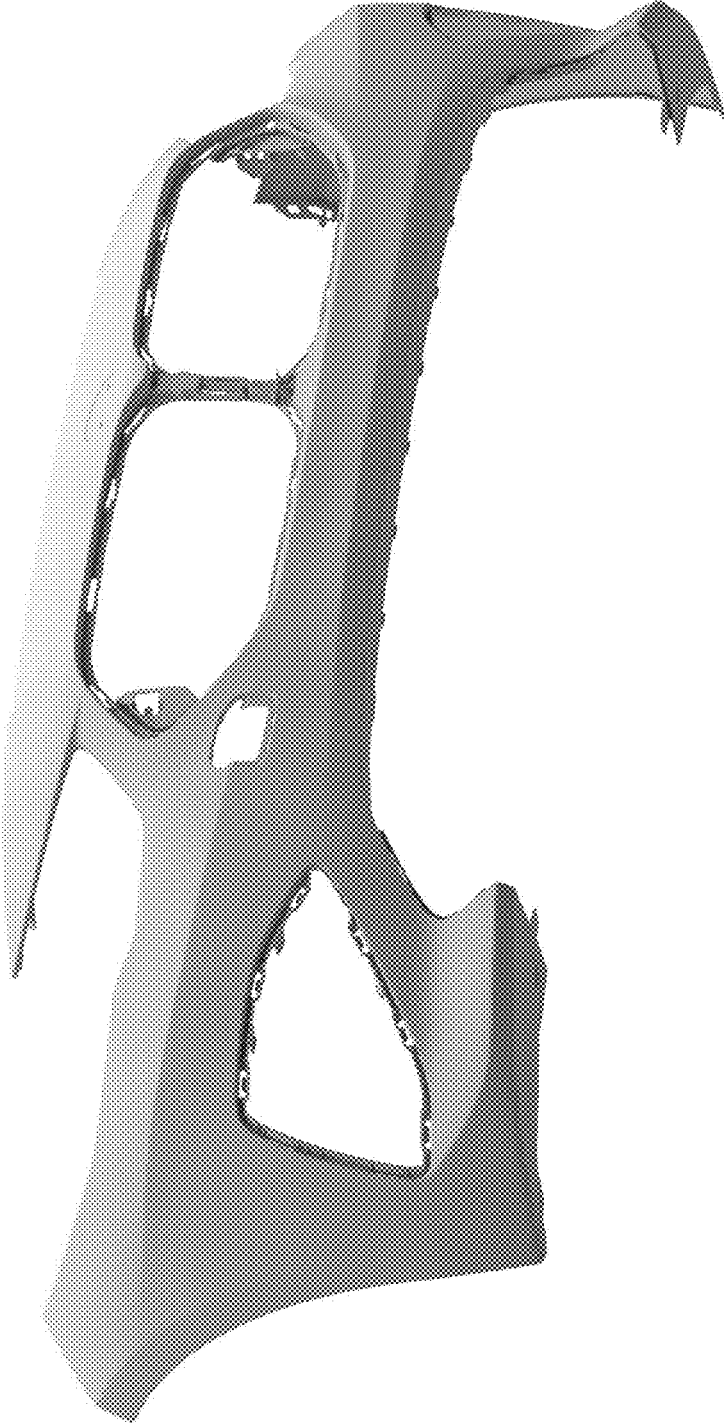


Fig. 3

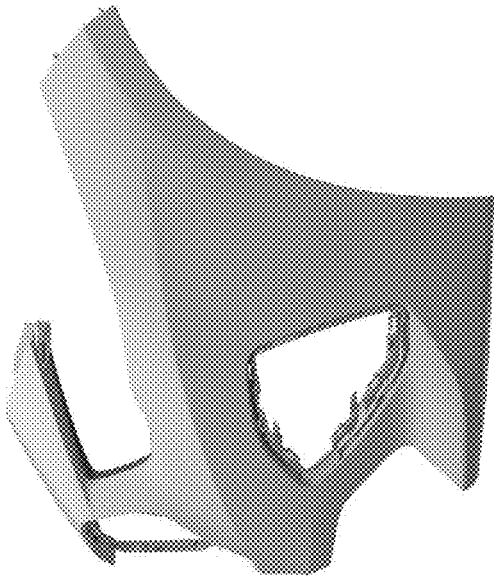


Fig. 4

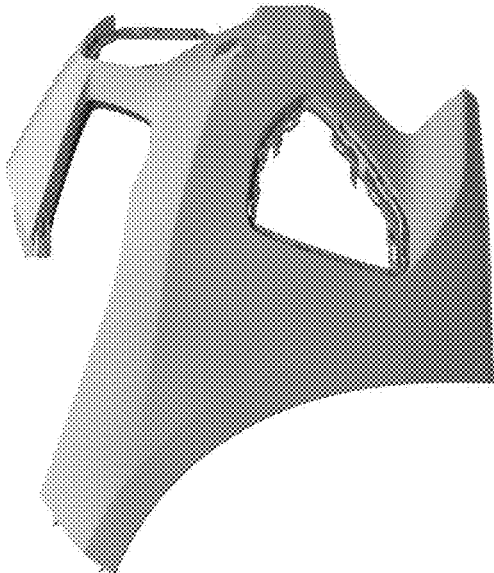


Fig. 5

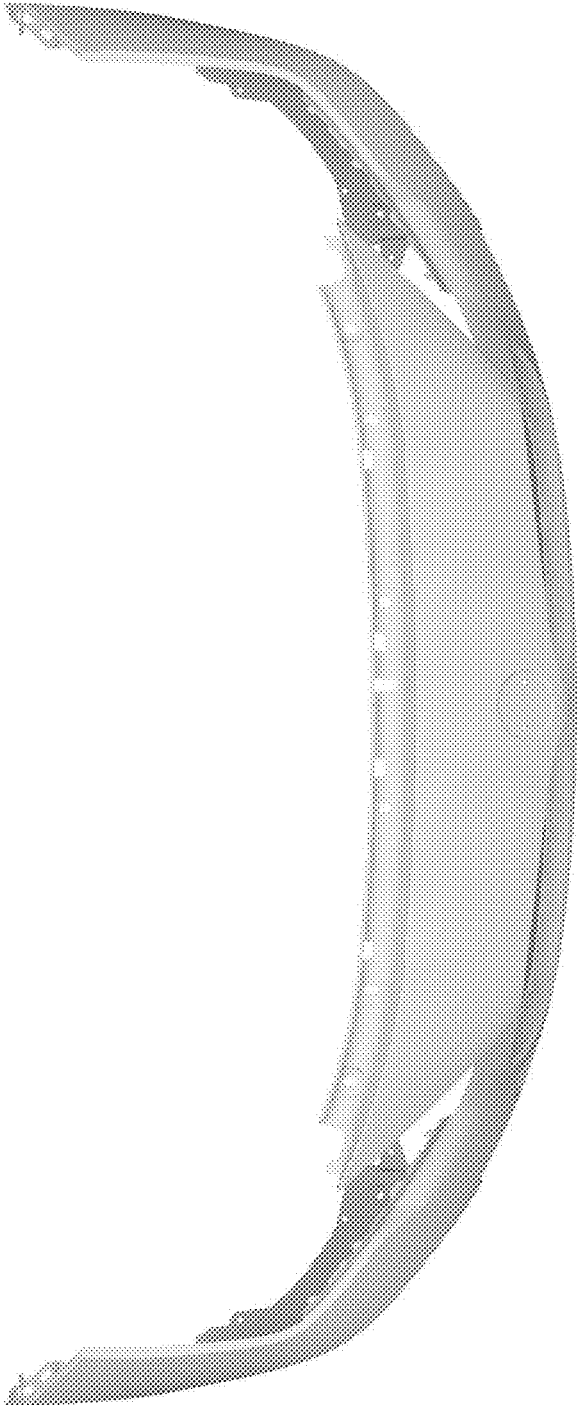


Fig. 6

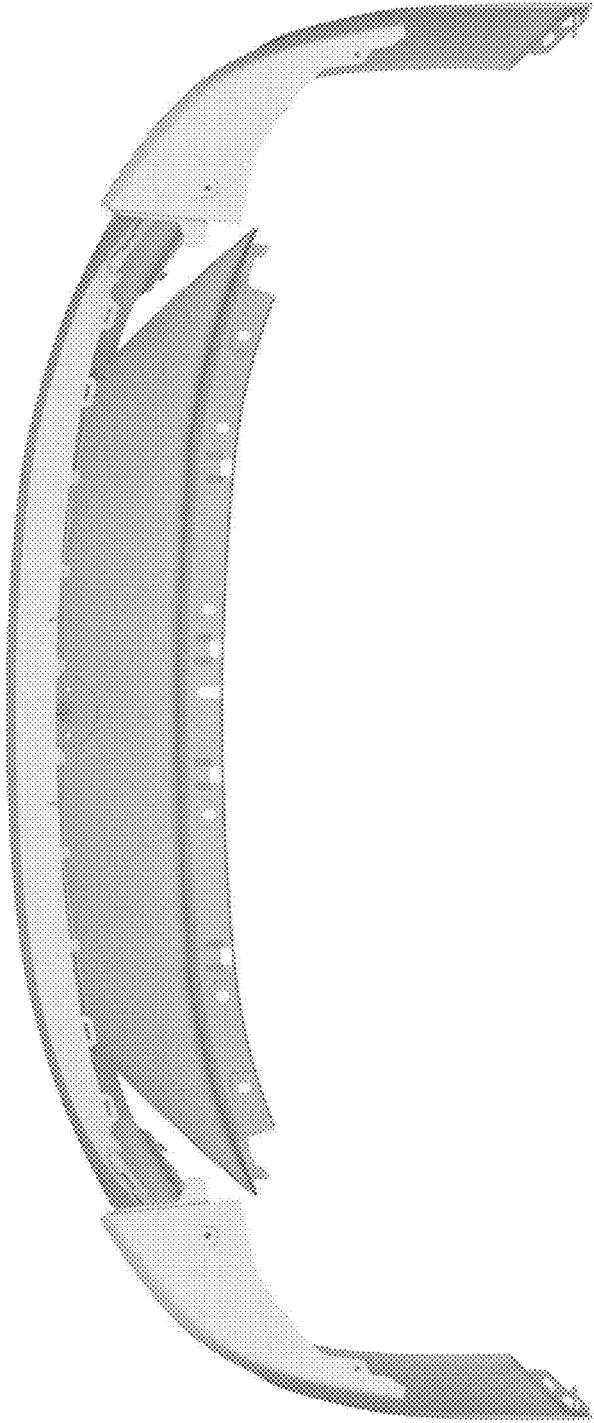


Fig. 7

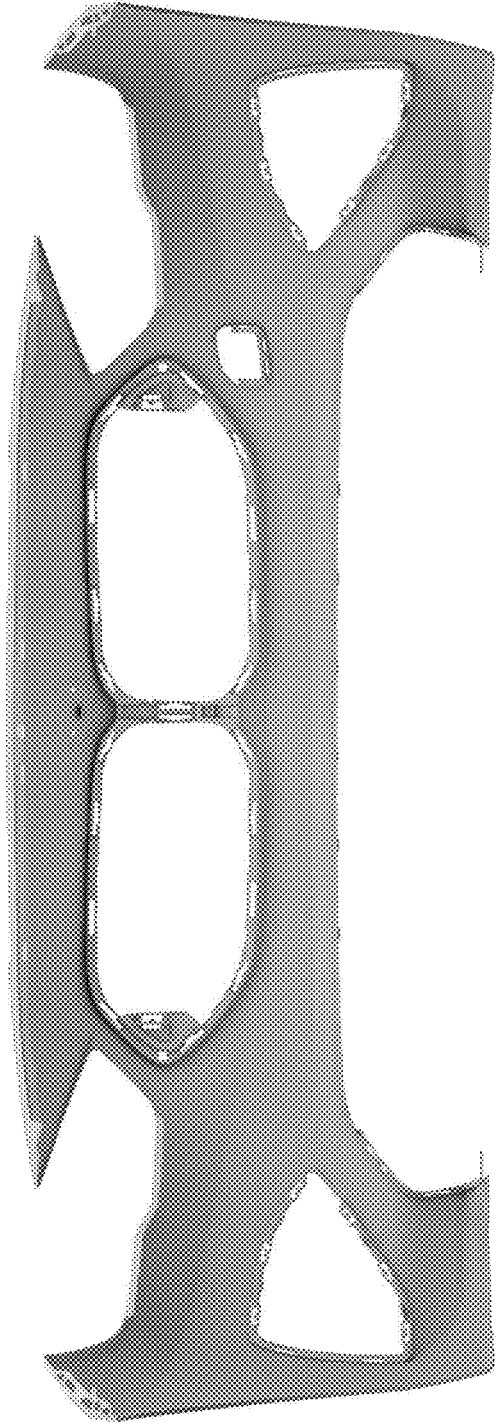


Fig. 8