



US00D971012S

(12) **United States Design Patent**  
**Weitsman et al.**

(10) **Patent No.:** **US D971,012 S**

(45) **Date of Patent:** **\*\* Nov. 29, 2022**

(54) **MARKING APPARATUS**

(71) Applicant: **CW Consulting Associates, LLC,**  
Saratoga, CA (US)

(72) Inventors: **Kevin L. Weitsman,** Saratoga, CA  
(US); **Ronald L. Johnson,** San Jose,  
CA (US); **Yugen Patrick Lockhart,**  
Palo Alto, CA (US)

(73) Assignee: **CW Consulting Associates, LLC,**  
Saratoga, CA (US)

(\*\*) Term: **15 Years**

(21) Appl. No.: **29/842,628**

(22) Filed: **Jun. 14, 2022**

**Related U.S. Application Data**

(63) Continuation of application No. 17/589,870, filed on  
Jan. 31, 2022, now Pat. No. 11,399,642, which is a  
continuation of application No. 17/425,938, filed as  
application No. PCT/US2020/015469 on Jan. 28,  
2020, now Pat. No. 11,291,317.

(51) **LOC (13) Cl.** ..... **08-05**

(52) **U.S. Cl.**  
USPC ..... **D8/380**

(58) **Field of Classification Search**  
USPC ..... D8/380, 381  
CPC ..... A47G 1/205; B25H 7/045; B25H 7/04;  
B43K 23/001; B43K 23/016; F16B  
19/109; F16B 21/09; F16M 11/041;  
F16M 13/00; F16M 13/02  
See application file for complete search history.

(56) **References Cited**

**U.S. PATENT DOCUMENTS**

2,343,499 A 3/1944 Edwards  
4,202,108 A 5/1980 Adams, Jr. et al.  
4,382,337 A 5/1983 Bendick

4,392,425 A 7/1983 Capezzuto et al.  
4,466,193 A 8/1984 Astle  
4,512,084 A 4/1985 Lieberman  
4,794,857 A 1/1989 Waters, Sr.  
4,837,942 A 6/1989 Watts  
5,477,620 A 12/1995 Barnett  
5,927,919 A 7/1999 Blankenship et al.  
6,360,661 B1 3/2002 Cheung  
6,574,880 B2 6/2003 Lombardo  
6,848,192 B2 2/2005 Partin  
6,908,270 B1 6/2005 Iwata  
6,952,887 B2 10/2005 Muchnik

(Continued)

**FOREIGN PATENT DOCUMENTS**

WO 2017053636 A1 3/2017

**OTHER PUBLICATIONS**

Oct. 24, 2014 Internet Archive screen capture of Home Depot web  
page for 20 lb. Large Keyhole Hangers, Model #50236.

(Continued)

*Primary Examiner* — Antoine Duval Davis

(74) *Attorney, Agent, or Firm* — Lance M. Pritikin

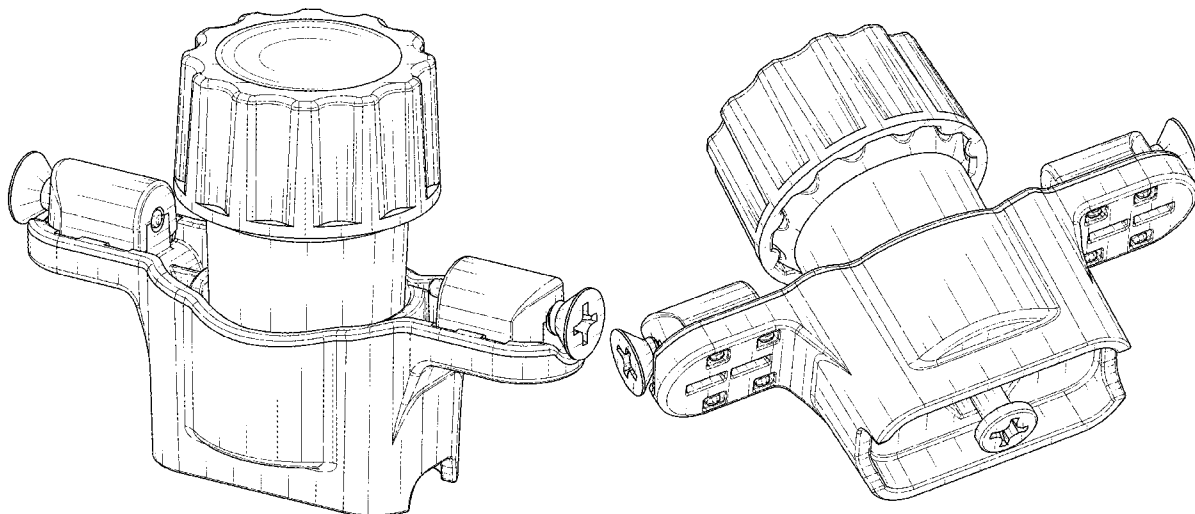
(57) **CLAIM**

The ornamental design for a marking apparatus, as shown  
and described.

**DESCRIPTION**

FIG. 1 is a front perspective view of a marking apparatus,  
showing my new design;  
FIG. 2 is a front elevational view thereof, the rear elevational  
view being a mirror image thereof;  
FIG. 3 is a left side elevational view thereof, the right side  
elevational view being a mirror image thereof;  
FIG. 4 is a top plan view thereof;  
FIG. 5 is a bottom plan view thereof; and,  
FIG. 6 is a bottom perspective view thereof.

**1 Claim, 4 Drawing Sheets**



(56)

**References Cited**

## U.S. PATENT DOCUMENTS

6,971,184	B2	12/2005	Prevost	
6,978,551	B2	12/2005	Krake et al.	
6,983,691	B2	1/2006	Shih	
7,032,872	B2	4/2006	Sullivan	
7,185,442	B2	3/2007	Grillo	
7,293,925	B1	11/2007	Sanseviero	
7,350,312	B1	4/2008	Grillo	
7,497,028	B2	3/2009	Nevers et al.	
8,458,979	B2	6/2013	Ebner et al.	
9,555,540	B1	1/2017	Weitsman	
2002/0083612	A1	7/2002	Prather	
2004/0098875	A1	5/2004	Gould	
2006/0075650	A1	4/2006	Tatum	
2007/0119068	A1	5/2007	Horst	
2007/0283588	A1	12/2007	Gardner et al.	
2008/0315063	A1	12/2008	Gallien	
2009/0193674	A1	8/2009	Megahed	
2011/0174953	A1	7/2011	Ruiz et al.	
2015/0034794	A1	2/2015	Durante	
2015/0144756	A1	5/2015	Miller	
2017/0008161	A1*	1/2017	Weitsman	B25H 7/045
2017/0273479	A1	9/2017	Snyder	
2017/0303709	A1	10/2017	Ulloa et al.	
2018/0370017	A1*	12/2018	Weitsman	F16M 13/02
2019/0070877	A1	3/2019	Flores	
2022/0039567	A1*	2/2022	Weitsman	A47G 1/205

## OTHER PUBLICATIONS

Mar. 12, 2015 Internet Archive screen capture of Parts Express web page for Keyhole Speaker Hanging Kit, Hangman Model KSH4-B.  
Sep. 2, 2013 Internet Archive screen capture of E-VisionUK Hotel Solutions web page for Keyhole Brackets.

\* cited by examiner

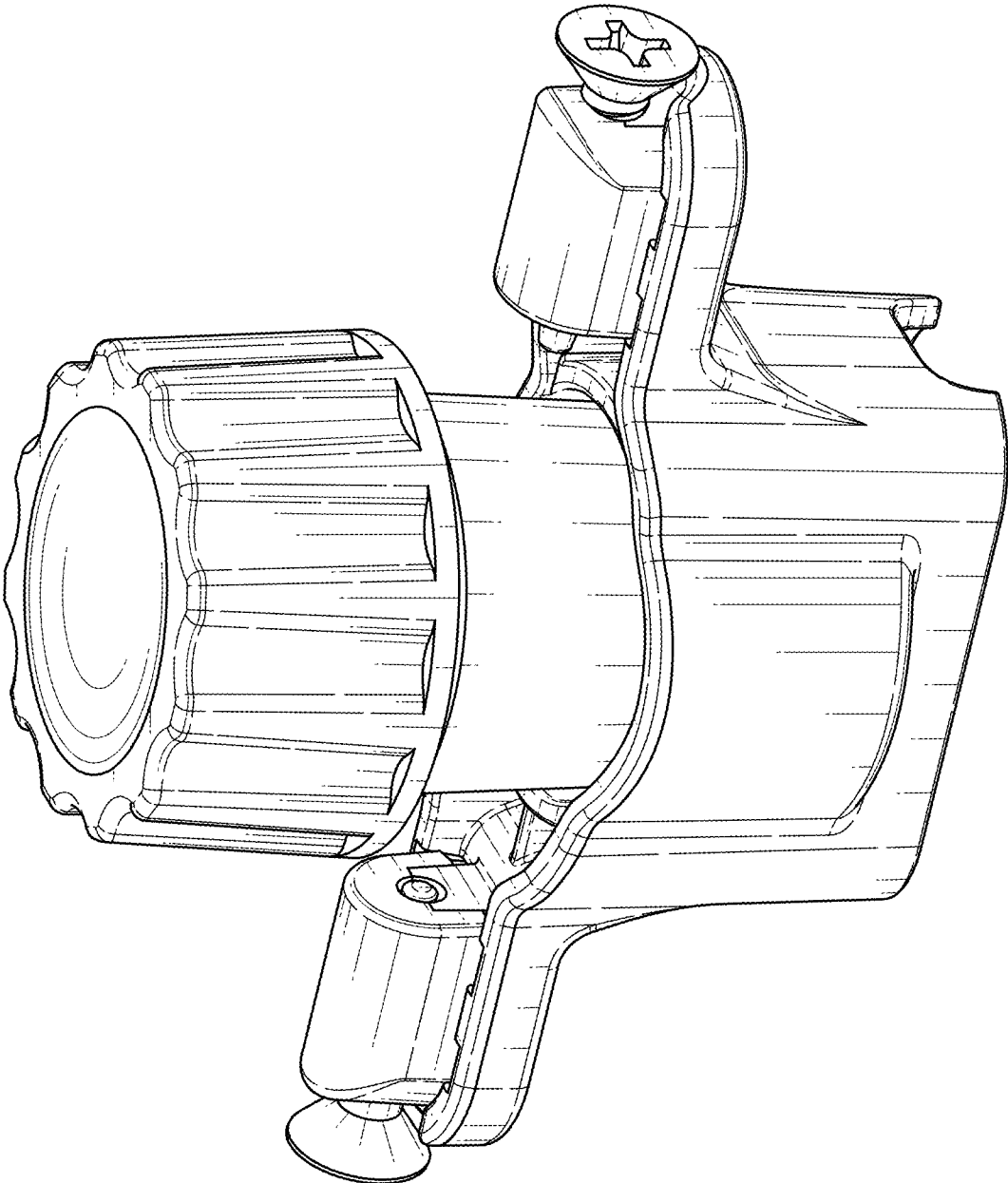


FIG. 1

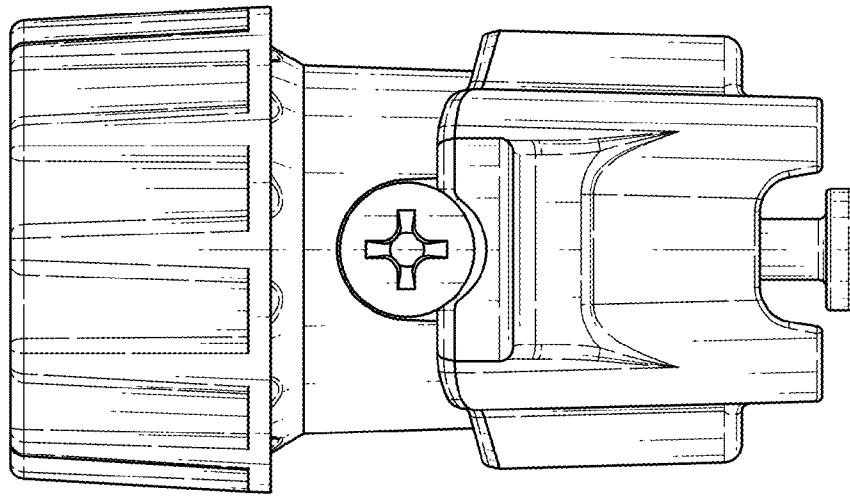


FIG. 3

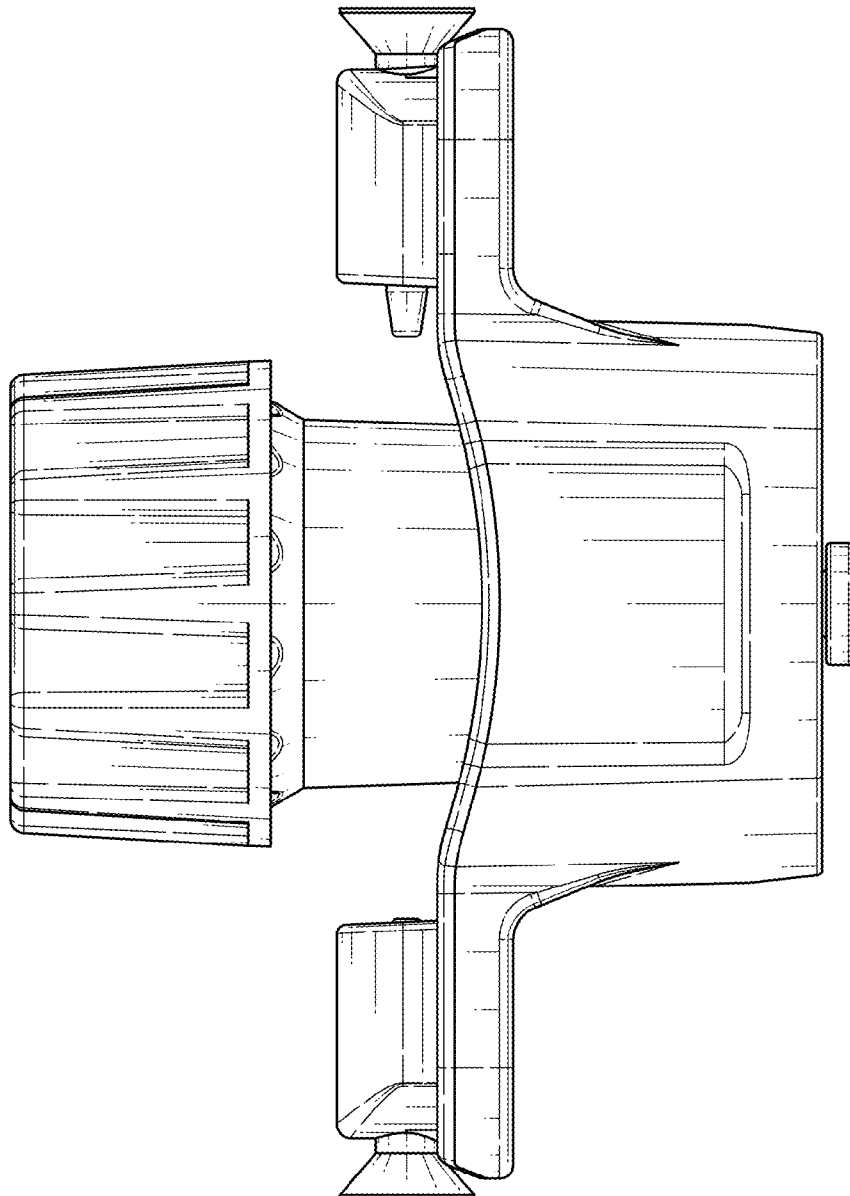


FIG. 2

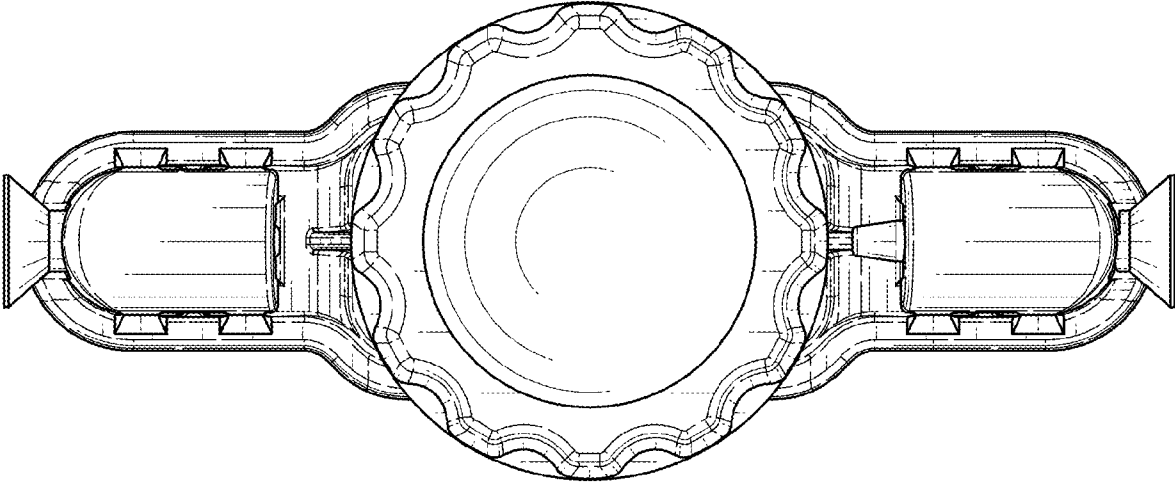


FIG. 4

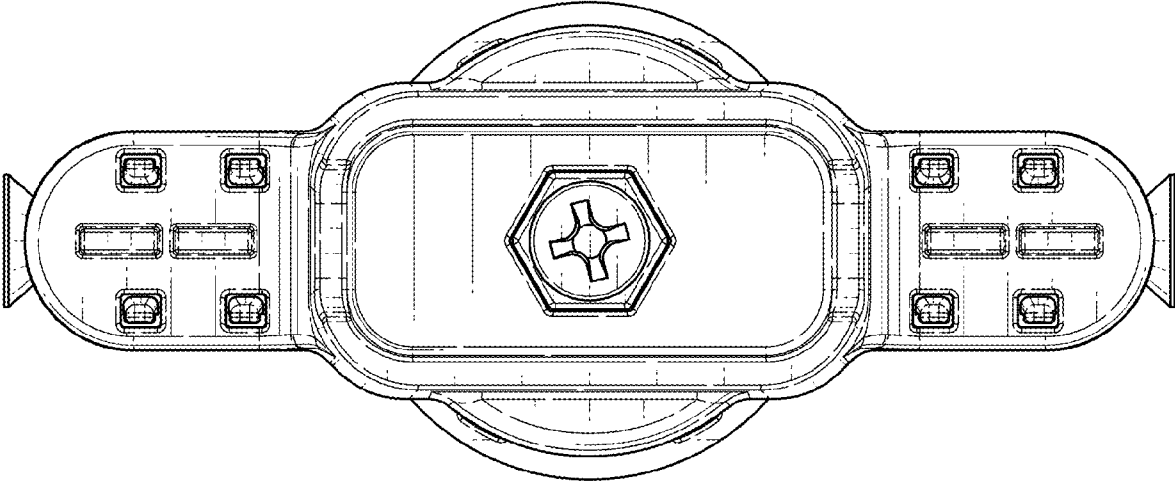


FIG. 5

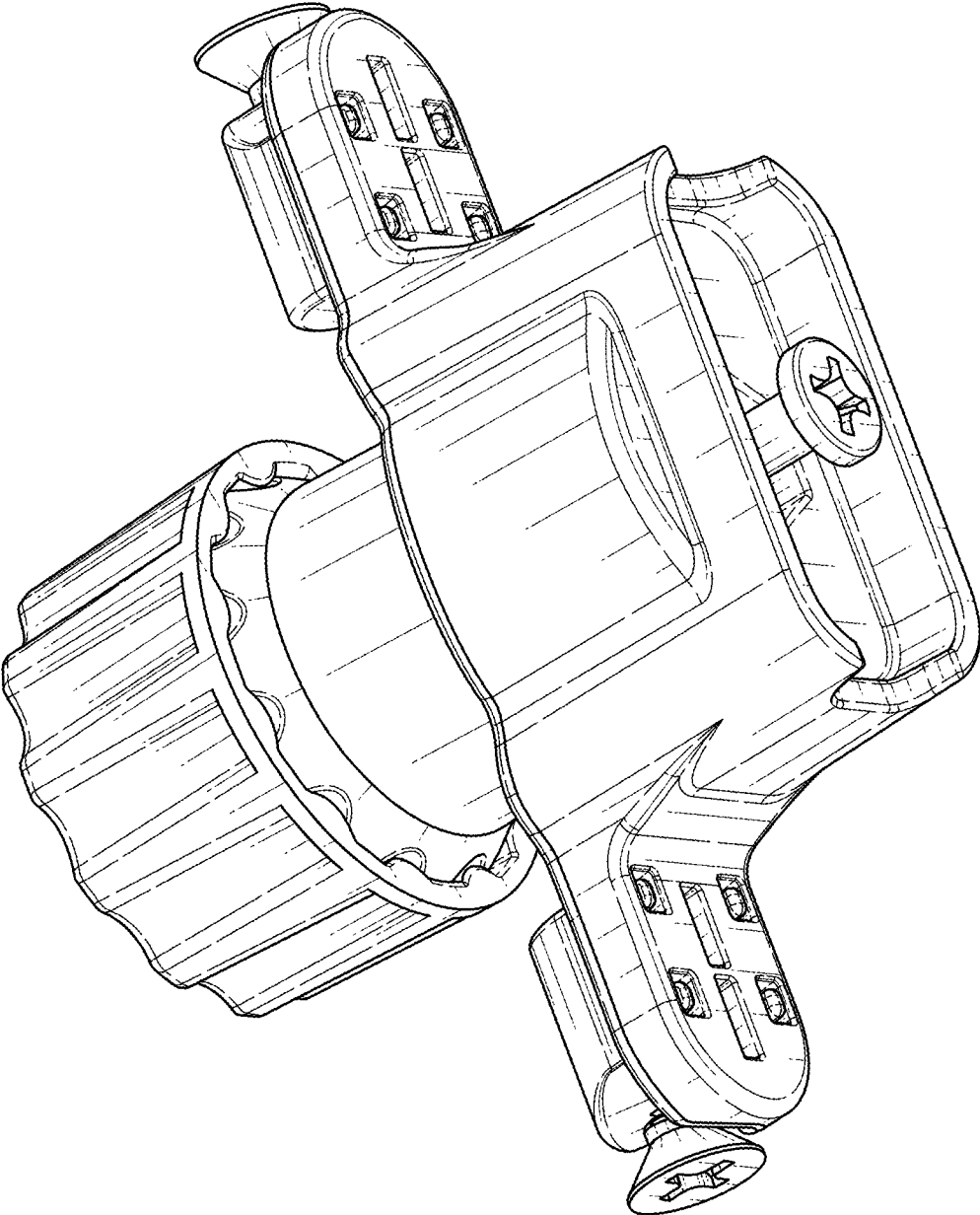


FIG. 6