

CORRECTED VERSION

(19) World Intellectual Property Organization
International Bureau



(43) International Publication Date
30 October 2008 (30.10.2008)

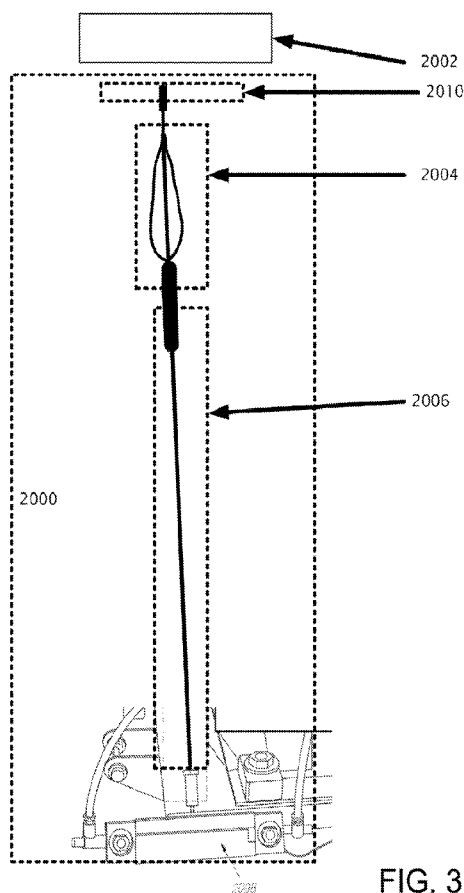
PCT

(10) International Publication Number
WO 2008/131038 A8

- (51) International Patent Classification:
A23N 15/02 (2006.01)
- (21) International Application Number:
PCT/US2008/060530
- (22) International Filing Date: 16 April 2008 (16.04.2008)
- (25) Filing Language: English
- (26) Publication Language: English
- (30) Priority Data:
60/912,400 17 April 2007 (17.04.2007) US
- (71) Applicant (for all designated States except US): **KNORR TECHNOLOGIES, LLC** [US/US]; P.o. Box 1260, Maricopa, AZ 85239 (US).
- (72) Inventors; and
- (75) Inventors/Applicants (for US only): **KNORR, Robert J.** [US/US]; P.O. Box 1260, Maricopa, Arizona 85239 (US). **VICTOR, John** [US/US]; 402 E. Papago Way, Cochise, AZ 85606 (US).
- (74) Agent: **HEYNSSENS, Paul B.**; Jennings Strouss & Salmon, 201 E. Washington Street, 11th Floor, Phoenix, Arizona 85004-5911 (US).
- (81) Designated States (unless otherwise indicated, for every kind of national protection available): AE, AG, AL, AM, AO, AT, AU, AZ, BA, BB, BG, BH, BR, BW, BY, BZ, CA, CH, CN, CO, CR, CU, CZ, DE, DK, DM, DO, DZ, EC, EE, EG, ES, FI, GB, GD, GE, GH, GM, GT, HN, HR, HU, ID, IL, IN, IS, JP, KE, KG, KM, KN, KP, KR, KZ, LA, LC, LK, LR, LS, LT, LU, LY, MA, MD, ME, MG, MK, MN, MW, MX, MY, MZ, NA, NG, NI, NO, NZ, OM, PG, PH, PL, PT, RO, RS, RU, SC, SD, SE, SG, SK, SL, SM, SV, SY, TJ, TM, TN, TR, TT, TZ, UA, UG, US, UZ, VC, VN, ZA, ZM, ZW.
- (84) Designated States (unless otherwise indicated, for every kind of regional protection available): ARIPO (BW, GH, GM, KE, LS, MW, MZ, NA, SD, SL, SZ, TZ, UG, ZM, ZW), Eurasian (AM, AZ, BY, KG, KZ, MD, RU, TJ, TM), European (AT, BE, BG, CH, CY, CZ, DE, DK, EE, ES, FI,

[Continued on next page]

(54) Title: PEPPER BOAT MAKER



(57) Abstract: The present example provides an automated or mechanized, way of making a pepper boat from a de-stemmed pepper. In making the pepper boat, de-stemmed peppers may be split by a splitting assembly. As the pepper is split, or subsequently, a whisk assembly tends to clean a portion of the veins and seeds from the split pepper pod to form two substantially equal halves of a pepper boat, suitable for further food processing.

FIG. 3

WO 2008/131038 A8



FR, GB, GR, HR, HU, IE, IS, IT, LT, LU, LV, MC, MT, NL,
NO, PL, PT, RO, SE, SI, SK, TR), OAPI (BF, BJ, CF, CG,
CI, CM, GA, GN, GQ, GW, ML, MR, NE, SN, TD, TG).

Published:

— *with international search report*

Declarations under Rule 4.17:

- *as to applicant's entitlement to apply for and be granted a patent (Rule 4.17(ii))*
- *of inventorship (Rule 4.17(iv))*

(48) Date of publication of this corrected version:

31 December 2008

(15) Information about Correction:

see Notice of 31 December 2008