



US00D748245S

(12) **United States Design Patent**  
**Petersen**

(10) **Patent No.:** **US D748,245 S**

(45) **Date of Patent:** **\*\* Jan. 26, 2016**

- (54) **ELECTRONIC AUTOINJECTOR**
- (71) Applicants: **Bayer Pharma AG**, Berlin (DE); **Bang & Olufsen Medicom A/S**, Strue (DK)
- (72) Inventor: **Carsten Petersen**, Højbjerg (DK)
- (73) Assignees: **Bayer Pharma Aktiengesellschaft**, Berlin (DE); **Glufsen Medicom A/S**, Corporation, Strue (DK)

|              |    |   |         |                 |       |         |
|--------------|----|---|---------|-----------------|-------|---------|
| D453,569     | S  | * | 2/2002  | Himbert         | ..... | D24/114 |
| D471,976     | S  | * | 3/2003  | Pavlu et al.    | ..... | D24/114 |
| D476,734     | S  | * | 7/2003  | Pavlu et al.    | ..... | D24/114 |
| D606,190     | S  | * | 12/2009 | Pruitt et al.   | ..... | D24/113 |
| D677,785     | S  | * | 3/2013  | Stones et al.   | ..... | D24/113 |
| 2009/0275969 | A1 | * | 11/2009 | Kitamura et al. | ..... | 606/182 |
| 2013/0123710 | A1 | * | 5/2013  | Ekman et al.    | ..... | 604/198 |
| 2014/0148763 | A1 | * | 5/2014  | Karlsson et al. | ..... | 604/198 |

- (\*\*) Term: **14 Years**
- (21) Appl. No.: **29/484,223**
- (22) Filed: **Mar. 7, 2014**

- (30) **Foreign Application Priority Data**
- Sep. 20, 2013 (EM) ..... 002313122-001
- (51) **LOC (10) CI.** ..... **24-02**
- (52) **U.S. CI.**
- USPC ..... **D24/113**
- (58) **Field of Classification Search**
- USPC ..... D24/112-114, 127-131, 133, 186;  
606/181, 185; 604/264, 272, 115, 232,  
604/187, 158, 164.08, 192, 263, 163, 181,  
604/184, 198, 227; 600/101, 139, 143;  
128/200.24, 207.14, 207.15
- CPC ..... A61M 5/2033; A61M 2005/206;  
A61M 5/326; A61M 5/3202; A61M 2005/208
- See application file for complete search history.

- (56) **References Cited**
- U.S. PATENT DOCUMENTS
- D351,465 S \* 10/1994 Stringer et al. .... D24/113
- D368,961 S \* 4/1996 Himbert et al. .... D24/114
- D375,789 S \* 11/1996 Bryant et al. .... D24/112
- D389,915 S \* 1/1998 Emerson et al. .... D24/144

**OTHER PUBLICATIONS**

Reddot 21, Bayer Betaconnect Auto Injector, Aug. 2, 2014, <http://www.red-dot-21.com/products/bayer-betaconnect-auto-injector-19688>.\*

youtube.com, Betaconnect patient inject Video, Sep. 23, 2014, [https://www.youtube.com/watch?v=e\\_XIGzxc9E](https://www.youtube.com/watch?v=e_XIGzxc9E).\*

\* cited by examiner

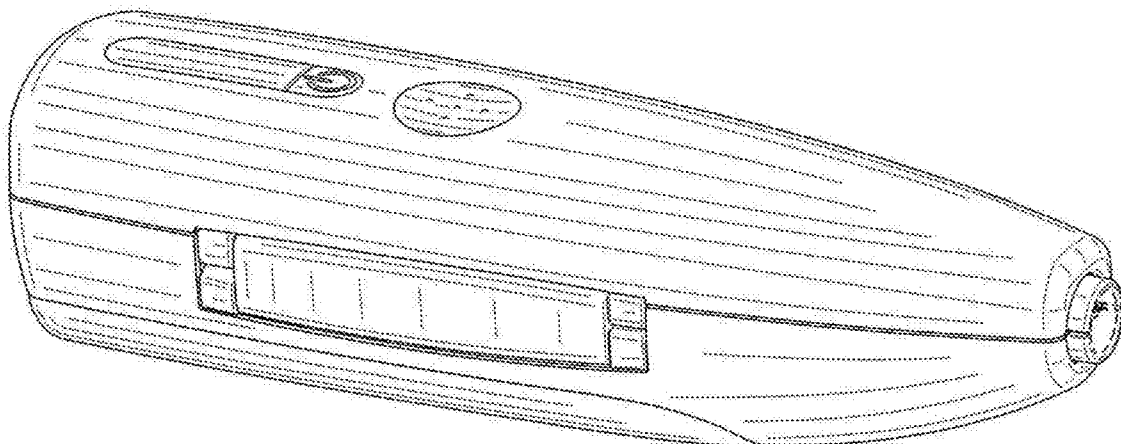
*Primary Examiner* — David Muller  
*Assistant Examiner* — Nathan Johnston  
 (74) *Attorney, Agent, or Firm* — Drinker Biddle & Reath LLP

(57) **CLAIM**  
 An ornamental design for an electronic autoinjector, as shown and described.

**DESCRIPTION**

FIG. 1 is a perspective view of an electronic autoinjector showing my new design.  
 FIG. 2 is a top plan view thereof.  
 FIG. 3 is a bottom plan view thereof.  
 FIG. 4 is a left side elevation view thereof.  
 FIG. 5 is a right side elevation view thereof.  
 FIG. 6 is a front elevation view thereof; and,  
 FIG. 7 is a rear elevation view thereof.  
 The broken line showing of parts of the drawings is included for the purpose of illustrating use and environment and forms no part of the claimed design.

**1 Claim, 6 Drawing Sheets**



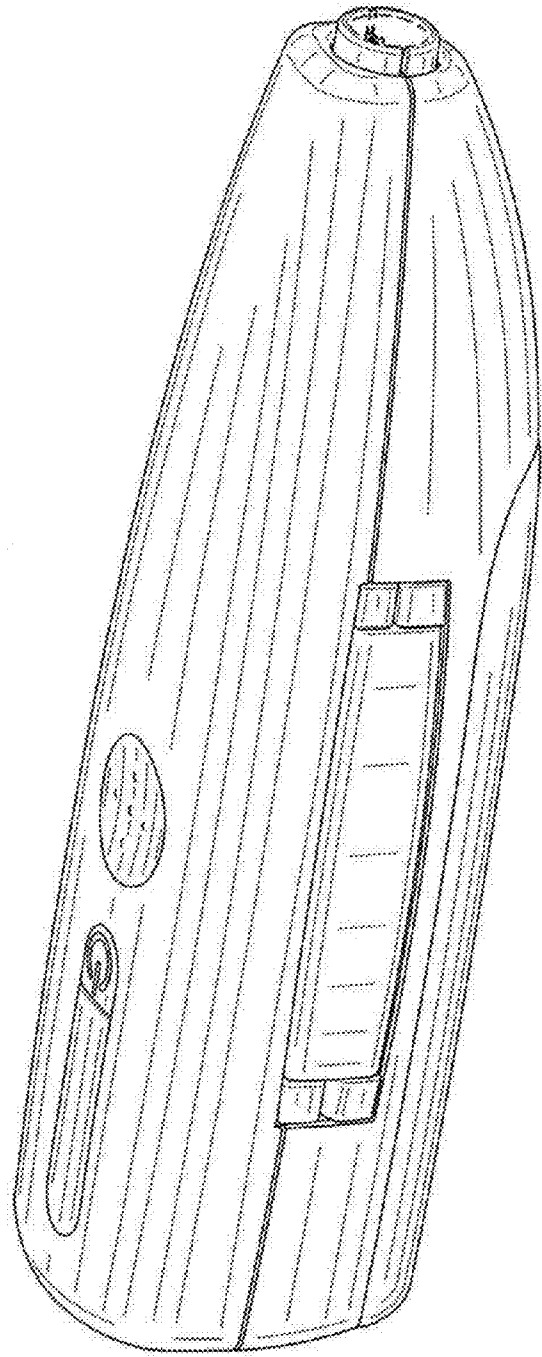


FIG. 1

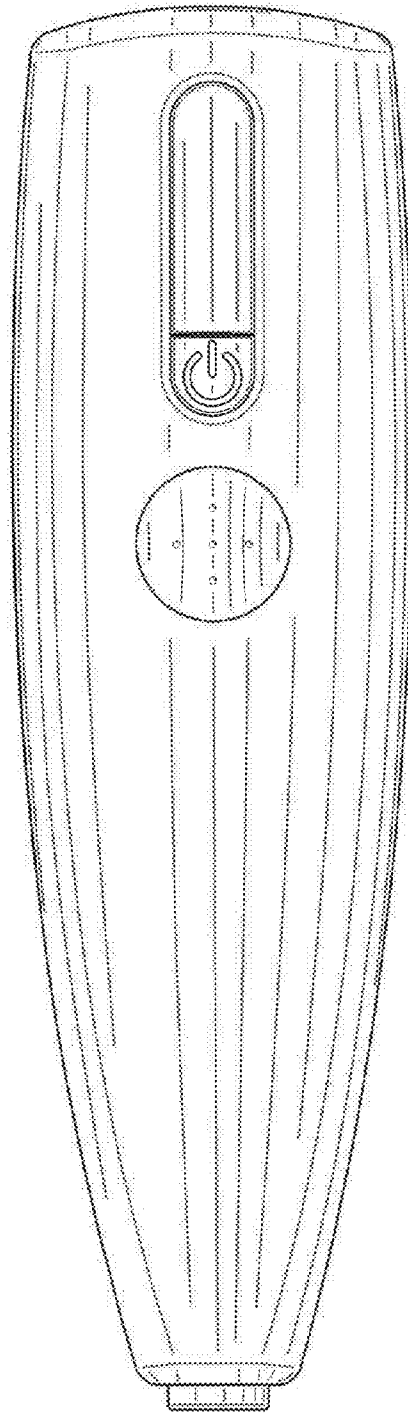


FIG. 2

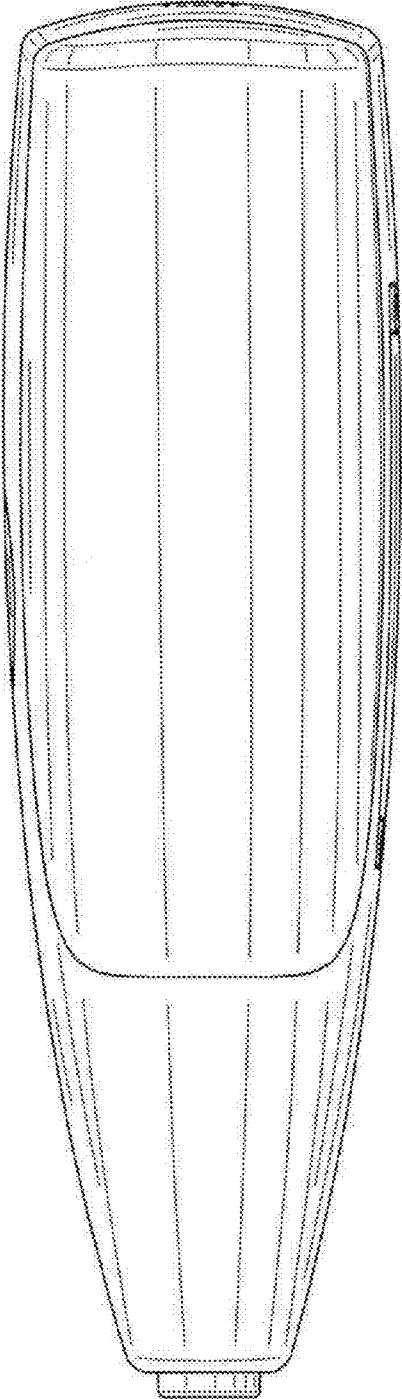


FIG. 3

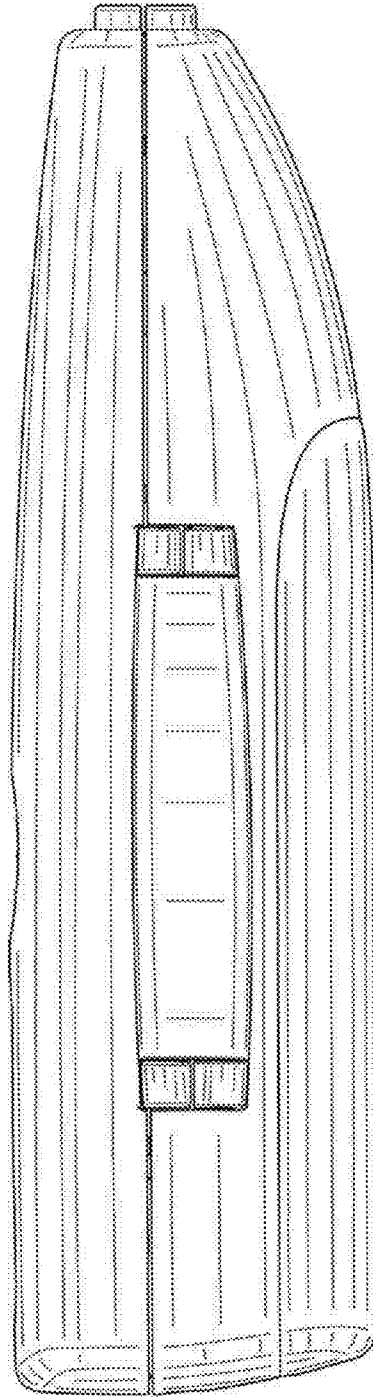


FIG. 4

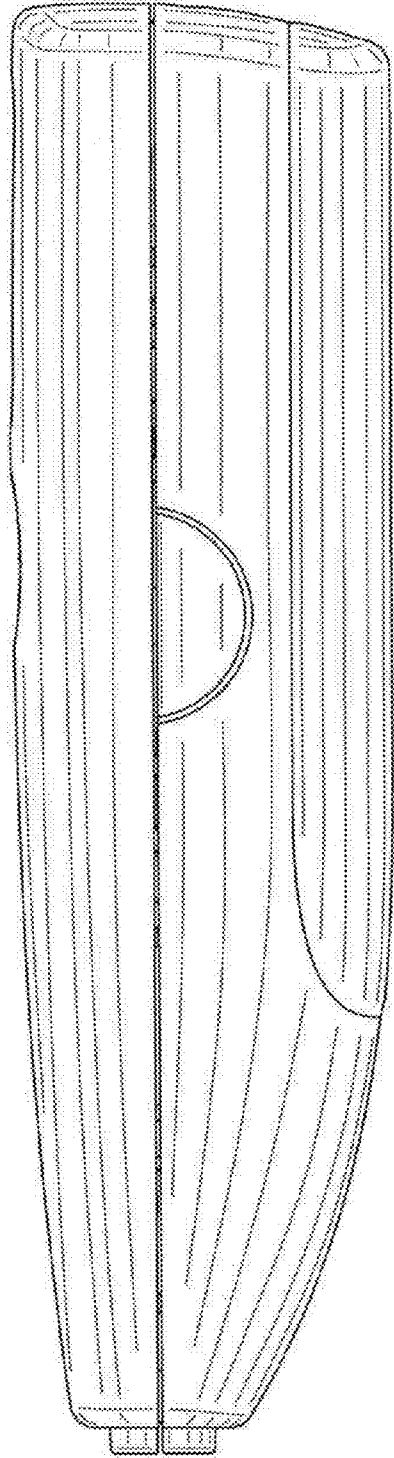


FIG. 5

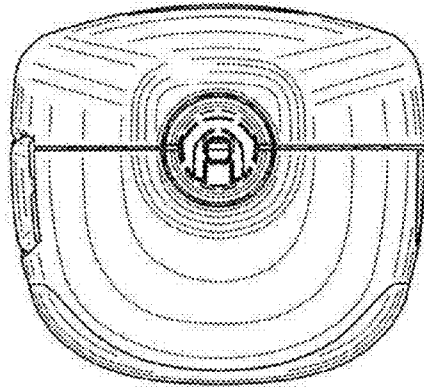


FIG. 6

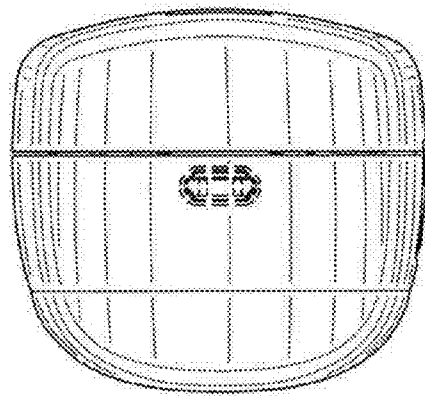


FIG. 7