



US00D815042S

(12) **United States Design Patent**
Jenrich

(10) **Patent No.:** **US D815,042 S**
(45) **Date of Patent:** **** Apr. 10, 2018**

- (54) **MOUNTING DEVICE**
- (71) Applicant: **FEW Fahrzeugelektrikwerk GmbH & Co. KG**, Zwenkau (DE)
- (72) Inventor: **André Jenrich**, Leipzig (DE)
- (73) Assignee: **FEW Fahrzeugelektrikwerk GmbH & Co. KG**, Zwenkau (DE)
- (**) Term: **15 Years**
- (21) Appl. No.: **29/539,522**
- (22) Filed: **Sep. 15, 2015**
- (30) **Foreign Application Priority Data**

6,095,405 A *	8/2000	Kim	B23K 1/005
			228/180.21
6,267,630 B1 *	7/2001	Machado	H01R 4/02
			228/114.5
6,730,848 B1 *	5/2004	Antaya	B23K 1/0008
			174/117 F
6,870,134 B2 *	3/2005	Sol	B32B 17/10036
			219/203
7,134,201 B2 *	11/2006	Ackerman	H01R 43/0207
			219/203
7,270,548 B2 *	9/2007	Jenrich	H01R 4/023
			439/34
7,301,126 B2 *	11/2007	Mann	B32B 17/10018
			219/202
8,278,609 B2	10/2012	Reul	219/617
8,853,533 B2 *	10/2014	Jenrich	H01R 4/04
			174/50
D718,253 S *	11/2014	Zerebilov	D13/154

(Continued)

- Mar. 26, 2015 (EP) 002669614-0001
- (51) **LOC (11) Cl.** **13-03**
- (52) **U.S. Cl.**
- USPC **D13/133; D8/349; D8/364**
- (58) **Field of Classification Search**
- USPC D13/154, 133, 129, 199; D8/349, 354, D8/364; 174/84 R, 650; 29/830, 831
- CPC H05B 3/84; H05B 2203/016; H01R 4/62; H01R 4/02; H01R 4/625; H01R 4/723; H01R 12/59; Y10T 29/49128
- See application file for complete search history.

FOREIGN PATENT DOCUMENTS

DE	102004057630	3/2006
WO	WO2012/152542	11/2012
WO	WO2016/038144	3/2016

Primary Examiner — Mark Goodwin
(74) *Attorney, Agent, or Firm* — Bodner & O'Rourke, LLP; Gerald T. Bodner; Christian P. Bodner

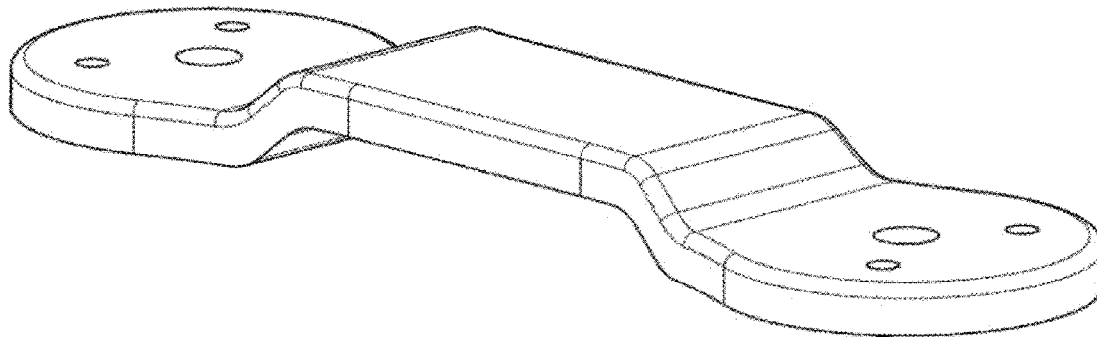
(57) **CLAIM**
The ornamental design of mounting device, substantially as shown and described.

- (56) **References Cited**
- U.S. PATENT DOCUMENTS
- 3,813,519 A * 5/1974 Jochim B41F 15/08
-
- 101/126
- 4,199,214 A * 4/1980 Pearce, Jr. H01H 85/044
-
- 439/620.26
- 4,415,116 A * 11/1983 Norton B23K 3/02
-
- 219/230
- 5,738,554 A * 4/1998 Borger H01R 4/02
-
- 219/203

DESCRIPTION

FIG. 1 is a top right perspective view of a mounting device showing my new design, a top left perspective view thereof being the same as the top right perspective view shown in FIG. 1; and, FIG. 2 is a bottom left perspective view thereof, a bottom right perspective view thereof being the same as the bottom left perspective view shown in FIG. 2.

1 Claim, 2 Drawing Sheets



(56)

References Cited

U.S. PATENT DOCUMENTS

8,905,778 B2 * 12/2014 Jenrich H05B 3/86
439/371
8,932,074 B2 * 1/2015 Jenrich B32B 17/061
439/371
D727,268 S * 4/2015 Buck D13/154
D727,852 S * 4/2015 Buck D13/154
9,155,206 B2 * 10/2015 Rateiczak H05B 3/84
D748,063 S * 1/2016 Buck D13/154
D750,030 S * 2/2016 Zerebilov D13/154
9,379,458 B2 * 6/2016 Jenrich H01R 4/023
D790,471 S * 6/2017 Buck D13/147
2006/0102610 A1 * 5/2006 Hoepfner H05B 3/84
219/203
2009/0170380 A1 * 7/2009 Lyon B32B 17/10036
439/874
2009/0277671 A1 * 11/2009 Hahn B32B 17/10036
174/257
2011/0104958 A1 * 5/2011 Kwon H01M 2/105
439/816
2012/0305311 A1 * 12/2012 Jenrich H01R 4/023
174/75 R
2012/0318566 A1 * 12/2012 Reul H05B 3/84
174/255
2013/0043066 A1 * 2/2013 Cholewa H01R 4/023
174/257
2014/0110166 A1 4/2014 Degen et al. 174/84 R
2014/0158424 A1 * 6/2014 Schlarb B23K 1/0008
174/94 R
2014/0182932 A1 * 7/2014 Cholewa H05B 3/84
174/84 R
2015/0236431 A1 * 8/2015 Schmalbuch H01R 4/187
174/252

* cited by examiner

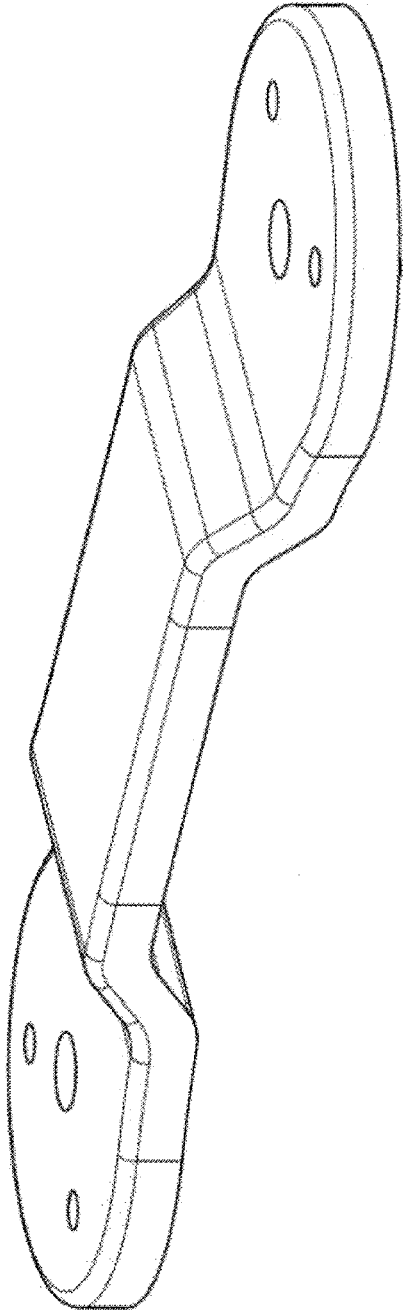


FIG. 1

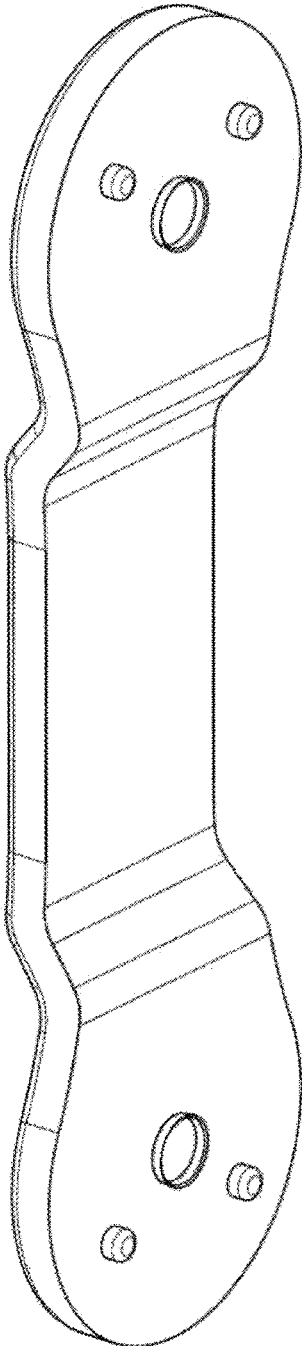


FIG. 2