



US00D800899S

(12) **United States Design Patent**
Adams et al.

(10) **Patent No.:** **US D800,899 S**

(45) **Date of Patent:** **** Oct. 24, 2017**

- (54) **ENFIT CONNECTOR**
- (71) Applicant: **Dale Medical Products, Inc.**,
Plainville, MA (US)
- (72) Inventors: **David Preston Adams**, North Hampton,
NH (US); **Alan Kenneth Stratton**,
Milford, NH (US); **Joseph A. Zilaro**,
Sturbridge, MA (US); **Sharon Steeves**,
Bellingham, MA (US)
- (73) Assignee: **Dale Medical Products, Inc.**,
Plainville, MA (US)
- (**) Term: **15 Years**
- (21) Appl. No.: **29/560,716**
- (22) Filed: **Apr. 8, 2016**
- (51) **LOC (10) Cl.** **24-02**
- (52) **U.S. Cl.**
USPC **D24/129**
- (58) **Field of Classification Search**
USPC D24/127-131, 112-114, 133, 186;
606/181, 185; 604/533, 264, 523-528,
604/272, 187, 158, 164.01-164.11, 181,
604/184, 227; 600/101, 139, 143;
128/200.24, 207.14, 207.15
CPC A61M 39/10; A61M 2039/1072; A61M
2039/0072
See application file for complete search history.

- D641,080 S * 7/2011 Zinger D24/129
- D665,077 S * 8/2012 Becker D24/133
- D673,674 S * 1/2013 Ho D24/129
- 8,372,059 B2 * 2/2013 Ziman A61M 39/10
604/533
- D689,187 S * 9/2013 Kruger D24/127
- D707,355 S * 6/2014 Bow D24/129
- D757,260 S * 5/2016 Lombardi, III D24/129
- D757,934 S * 5/2016 Barrett D24/129
- D764,660 S * 8/2016 Babbs D24/129
- D771,806 S * 11/2016 Steele D24/129
- D773,659 S * 12/2016 Cain D24/129

* cited by examiner

Primary Examiner — David Muller

(74) *Attorney, Agent, or Firm* — Finnegan, Henderson,
Farabow, Garrett & Dunner LLP

(57) **CLAIM**

The ornamental design for an enfit connector, as shown and described.

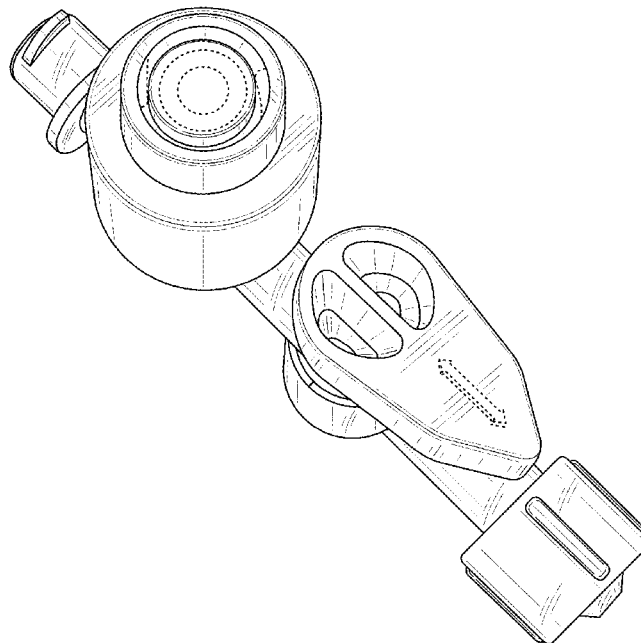
DESCRIPTION

FIG. 1 is a top front right perspective view of a first embodiment of an enfit connector showing our new design; FIG. 2 is a top rear left perspective view thereof; FIG. 3 is a top plan view thereof; FIG. 4 is a bottom plan view thereof; FIG. 5 is a left side elevation view thereof; FIG. 6 is a right side view thereof; FIG. 7 is a rear elevation view thereof; and, FIG. 8 is a front elevation view thereof.

The broken lines of even length shown in the drawings illustrate portions of the enfit connector that form no part of the claimed design.

1 Claim, 8 Drawing Sheets

- (56) **References Cited**
U.S. PATENT DOCUMENTS
D483,487 S * 12/2003 Harding D24/129
D640,787 S * 6/2011 Chia D24/130



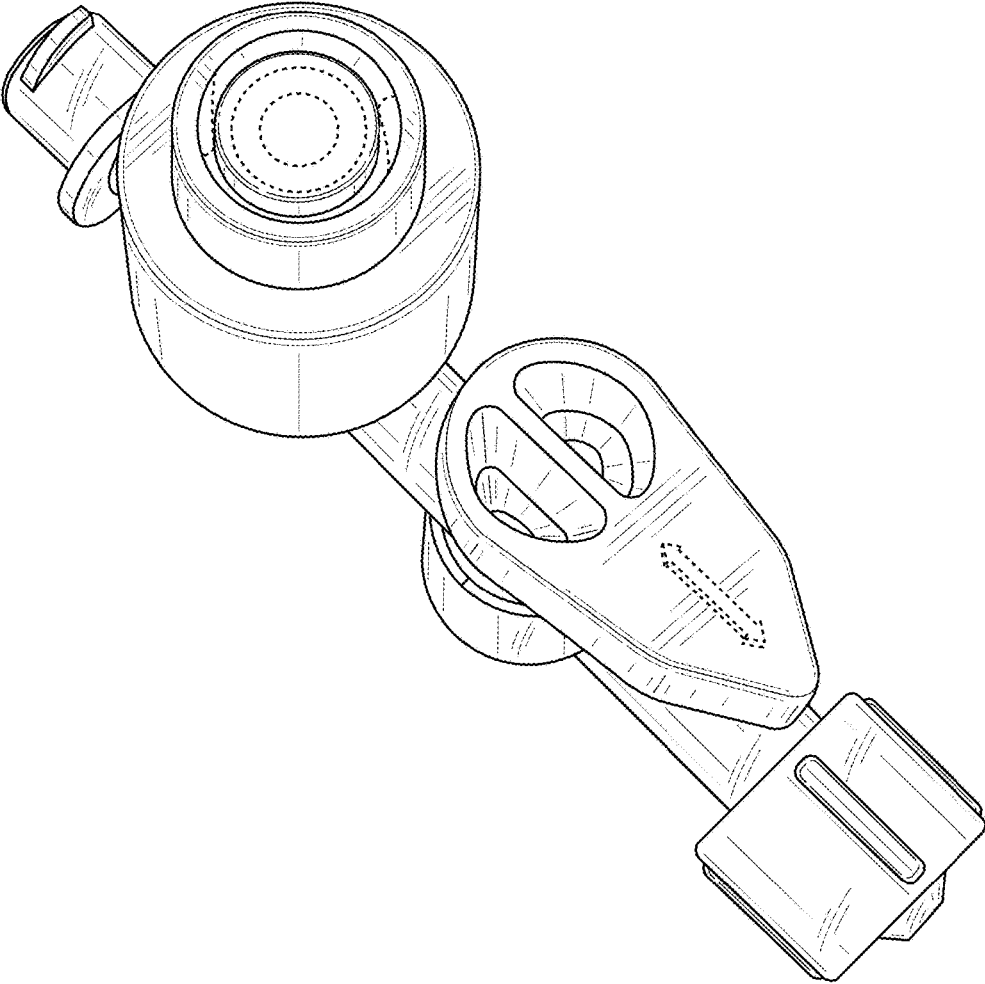


FIG. 1

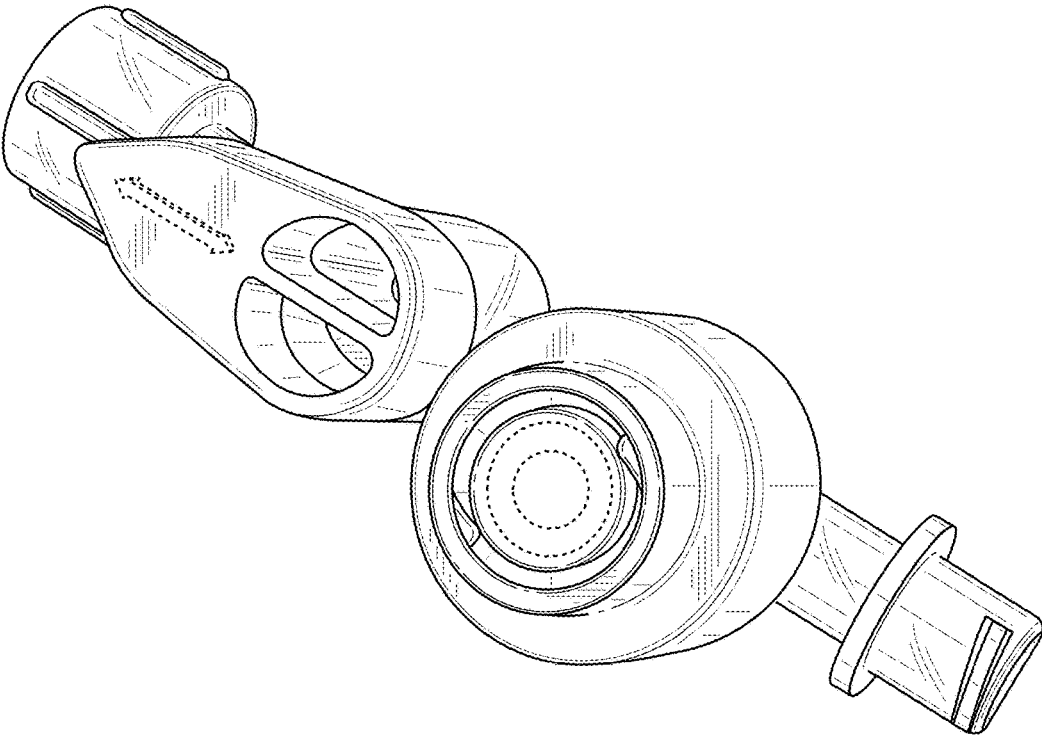


FIG. 2

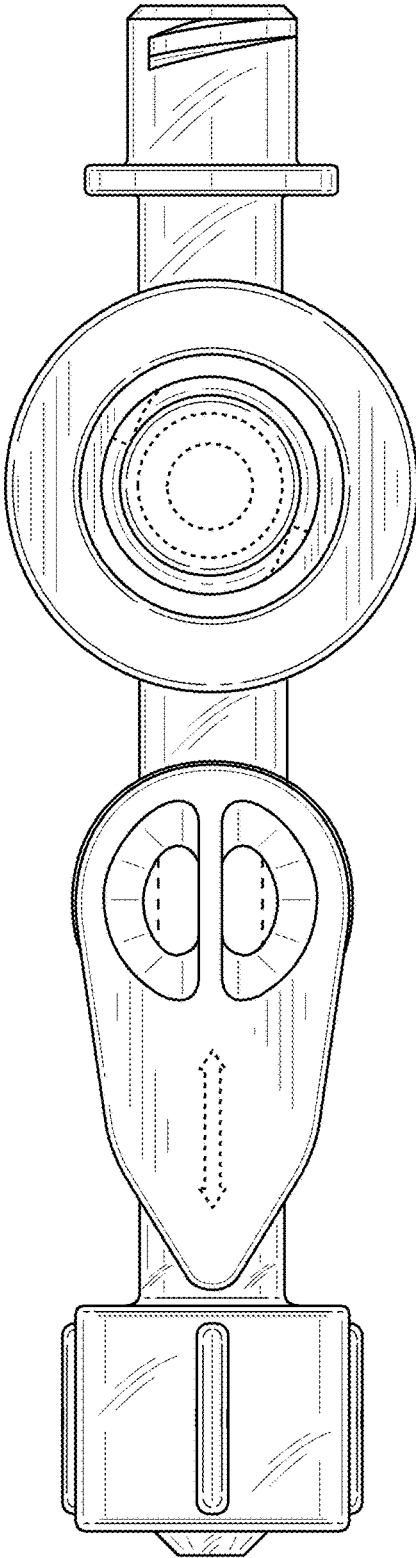


FIG. 3

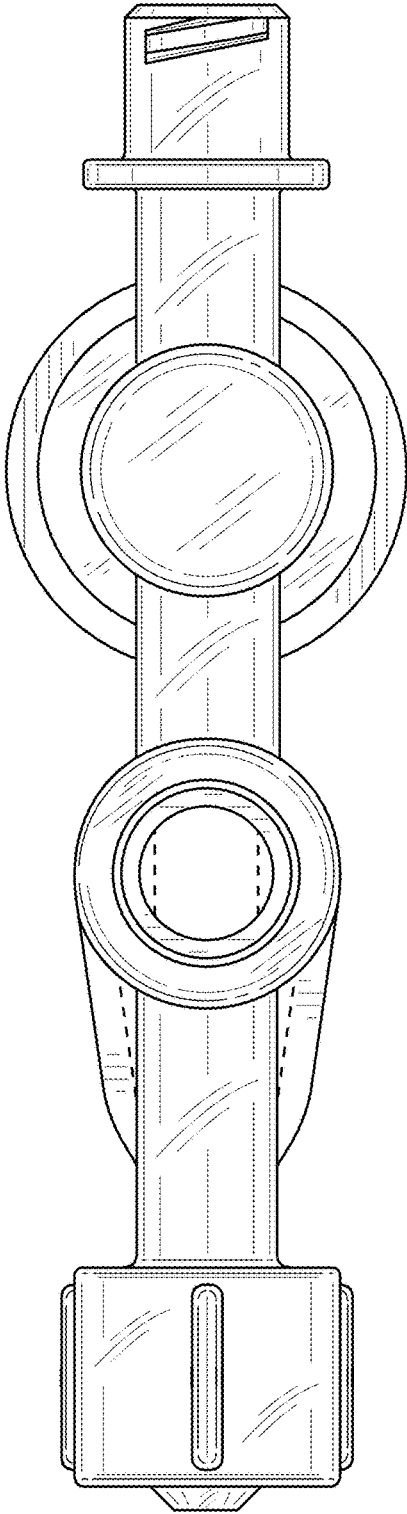


FIG. 4

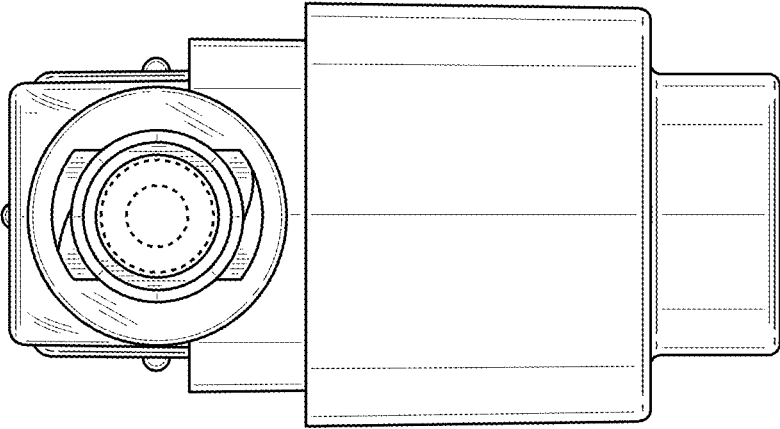


FIG. 5

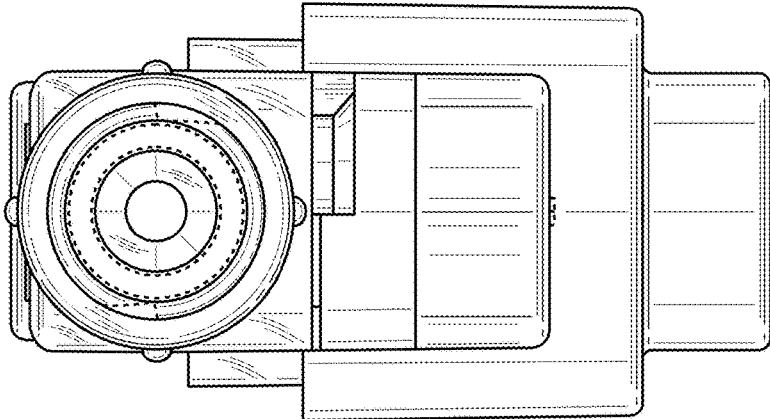


FIG. 6

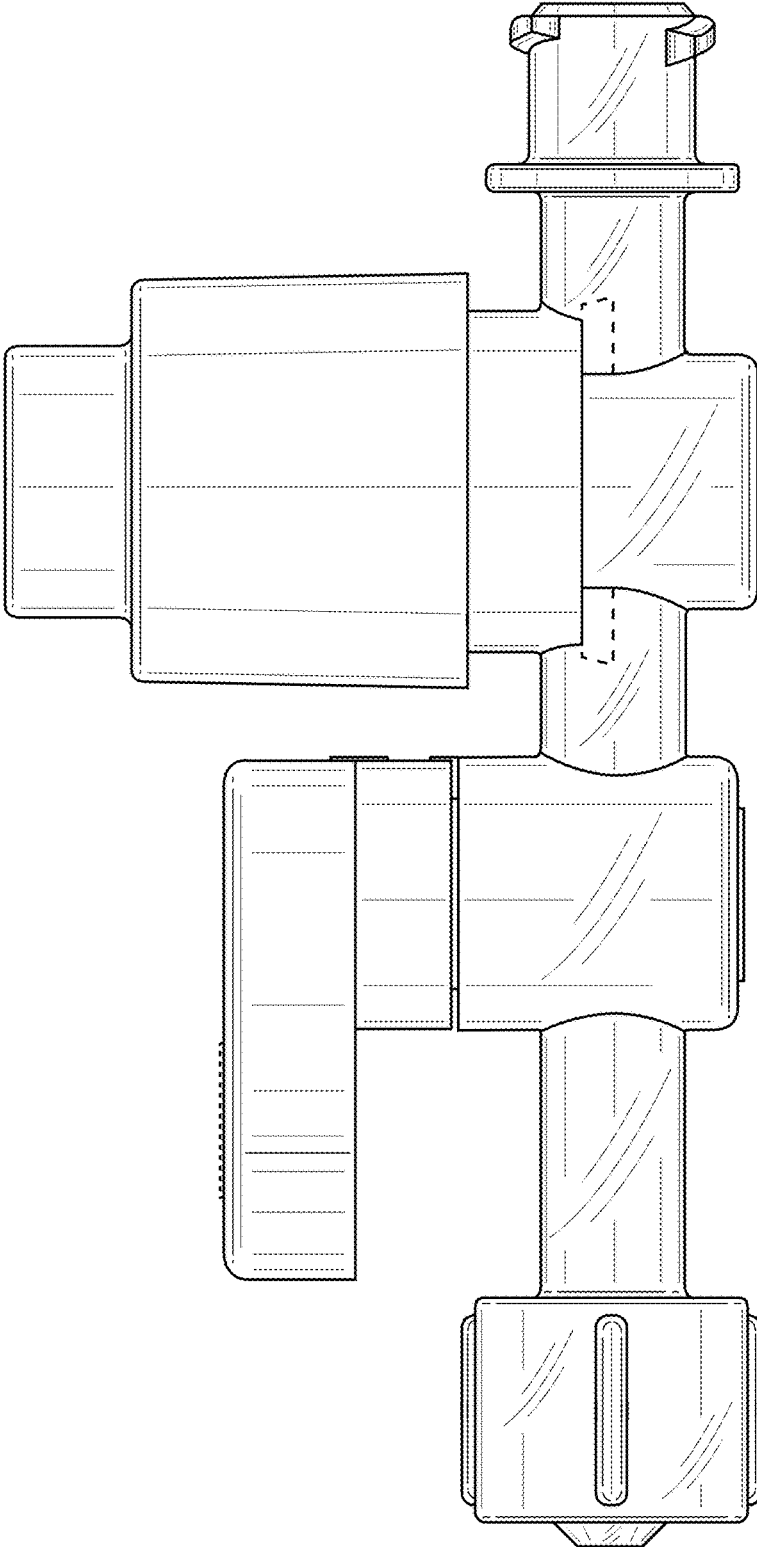


FIG. 7

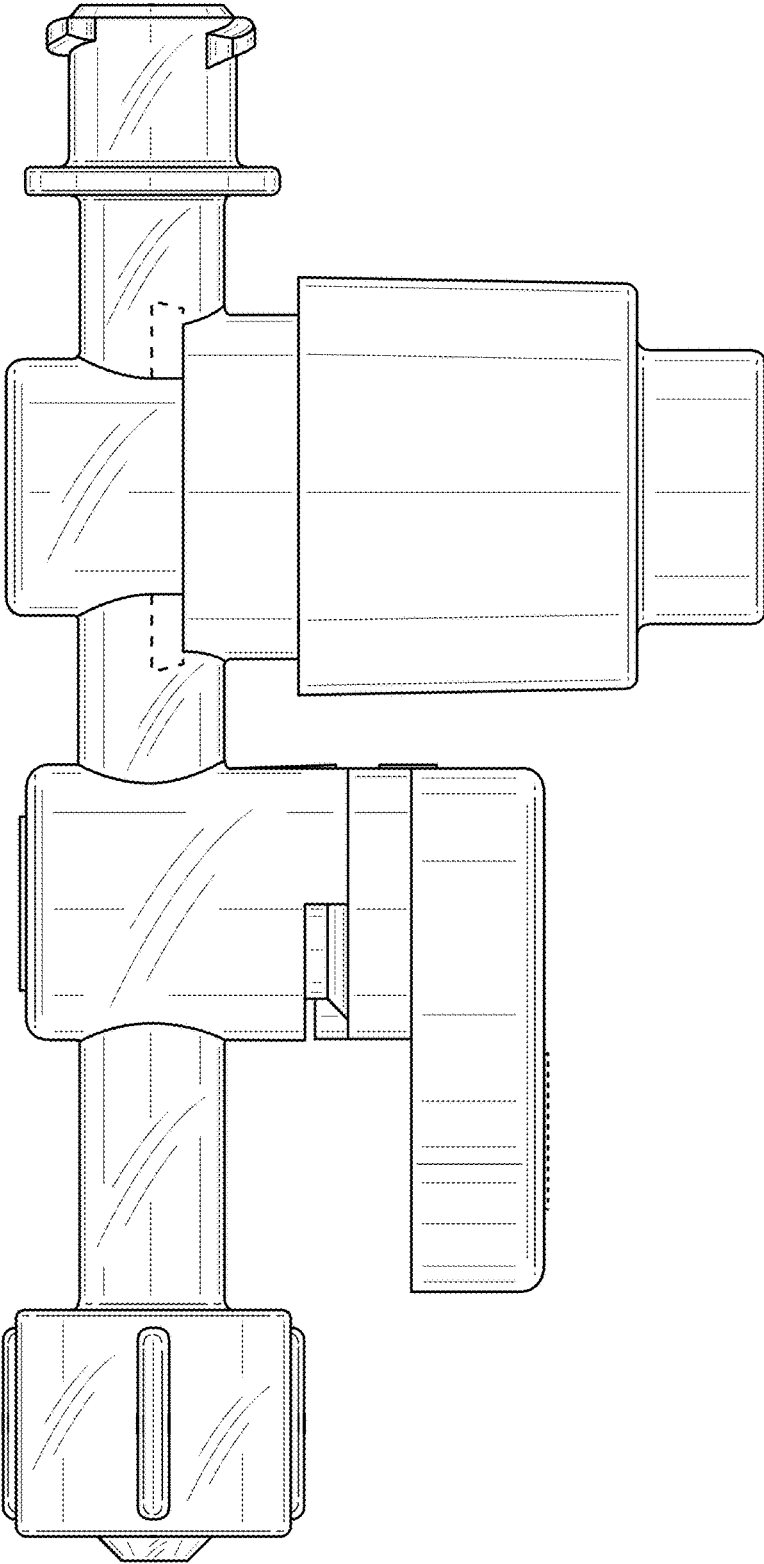


FIG. 8