



US00D839944S

(12) **United States Design Patent**
Petty et al.

(10) **Patent No.:** **US D839,944 S**

(45) **Date of Patent:** **** Feb. 5, 2019**

(54) **CAMERA**

(71) Applicant: **Blackmagic Design Pty Ltd**, Port Melbourne, Victoria (AU)

(72) Inventors: **Grant Petty**, Victoria (AU); **Simon Kidd**, Victoria (AU); **Shannon Smith**, Victoria (AU); **John Vanzella**, Victoria (AU); **Michael Cornish**, Victoria (AU)

(73) Assignee: **Blackmagic Design Pty Ltd** (AU)

(**) Term: **15 Years**

(21) Appl. No.: **29/541,854**

(22) Filed: **Oct. 8, 2015**

(30) **Foreign Application Priority Data**

Apr. 8, 2015 (EM) 002677427-0001
Apr. 8, 2015 (EM) 002677427-0002
Apr. 8, 2015 (EM) 002677427-0003
Apr. 8, 2015 (EM) 002677427-0004

(51) **LOC (11) Cl.** **16-01**

(52) **U.S. Cl.**
USPC **D16/218**

(58) **Field of Classification Search**

USPC D16/200, 202–206, 208, 218, 219, 242;
348/373–376; 396/529–532, 535,
396/539–541

CPC G03B 17/02; G03B 19/04; G03B 17/56;
G03B 17/04; G03B 15/03; G03B 17/14;
H04N 5/2251; H04N 5/2252; H04N
5/2253; H04N 5/2254; G02B 7/02; G02B
7/04; G02B 7/14

See application file for complete search history.

(56) **References Cited**

U.S. PATENT DOCUMENTS

D312,649 S * 12/1990 Sakuta D16/202
D460,773 S * 7/2002 Arbuckle D16/203

D551,275 S * 9/2007 Kim D16/202
D616,480 S * 5/2010 Ookawa D16/218
D668,282 S * 10/2012 Ohno D16/203
D694,797 S * 12/2013 Parker D16/202
D733,784 S * 7/2015 Yamashita D16/218
2011/0298925 A1* 12/2011 Inoue H04N 5/2251
348/148

(Continued)

Primary Examiner — Philip S Hyder

Assistant Examiner — Ramzi S Almatrahi

(74) *Attorney, Agent, or Firm* — Saidman DesignLaw Group, LLC

(57) **CLAIM**

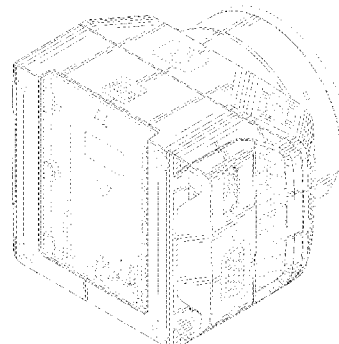
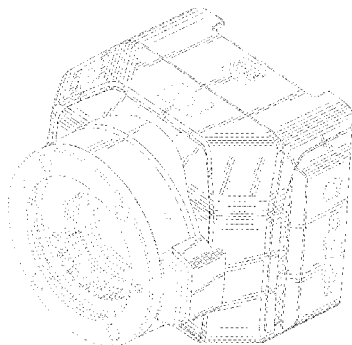
The ornamental design for a camera, as shown and described.

DESCRIPTION

FIG. 1 is a front perspective view of a first embodiment of a camera showing our new design;
FIG. 2 is a rear perspective view thereof;
FIG. 3 is a front view thereof;
FIG. 4 is a rear view thereof;
FIG. 5 is a top view thereof;
FIG. 6 is a right side view thereof;
FIG. 7 is a left side view thereof;
FIG. 8 is a bottom view thereof;
FIG. 9 is a front perspective view of a second embodiment of a camera showing our new design;
FIG. 10 is a rear perspective view thereof.
FIG. 11 is a front view thereof.
FIG. 12 is a rear view thereof.
FIG. 13 is a top view thereof.
FIG. 14 is a right side view thereof.
FIG. 15 is a left side view thereof; and,
FIG. 16 is a bottom view thereof.

The broken lines depict portions of the camera in which the design is embodied that form no part of the claimed design.

1 Claim, 16 Drawing Sheets



(56)

References Cited

U.S. PATENT DOCUMENTS

2013/0107110	A1*	5/2013	Park	H04N	5/2252
						348/373
2014/0300742	A1*	10/2014	Han	B60R	11/04
						348/148

* cited by examiner

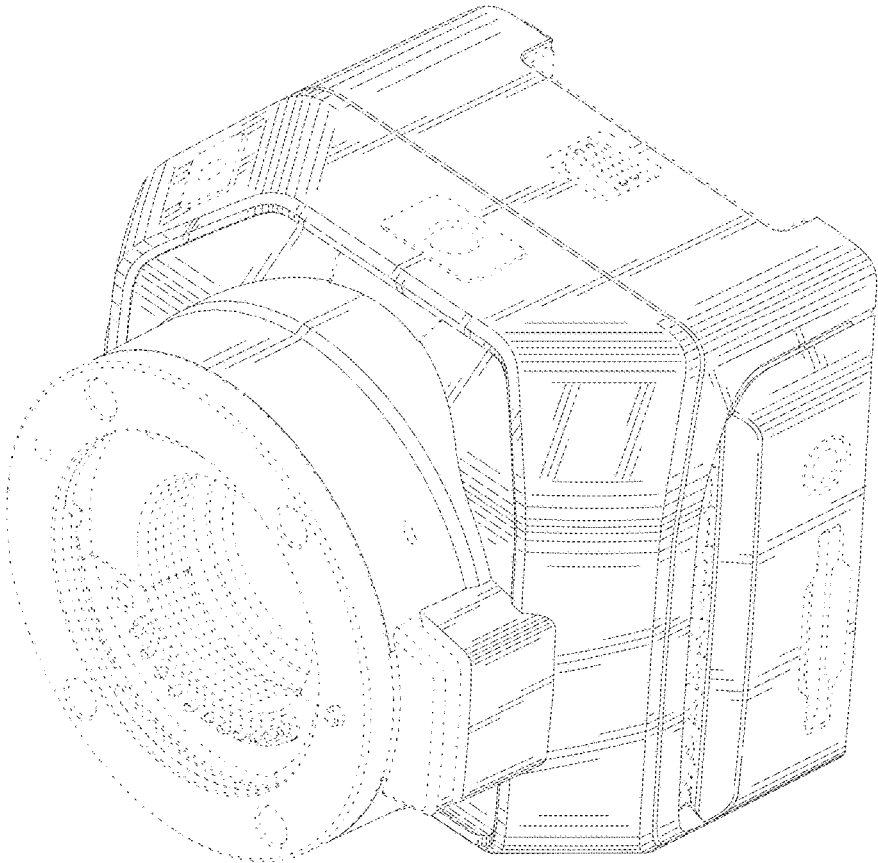


FIG. 1

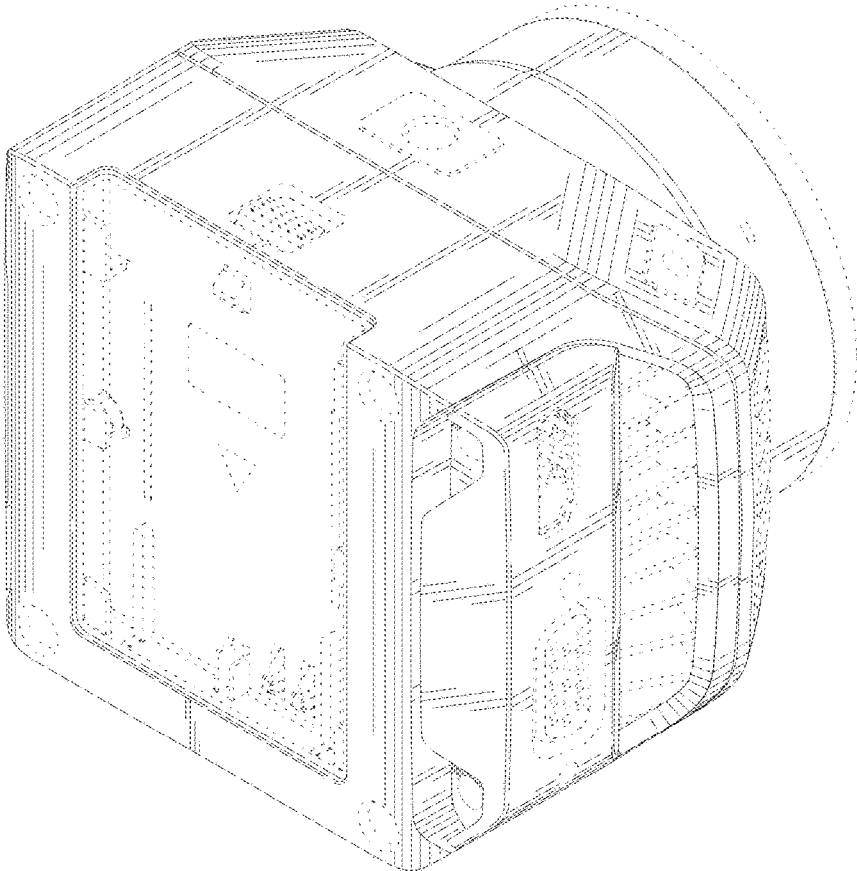


FIG. 2

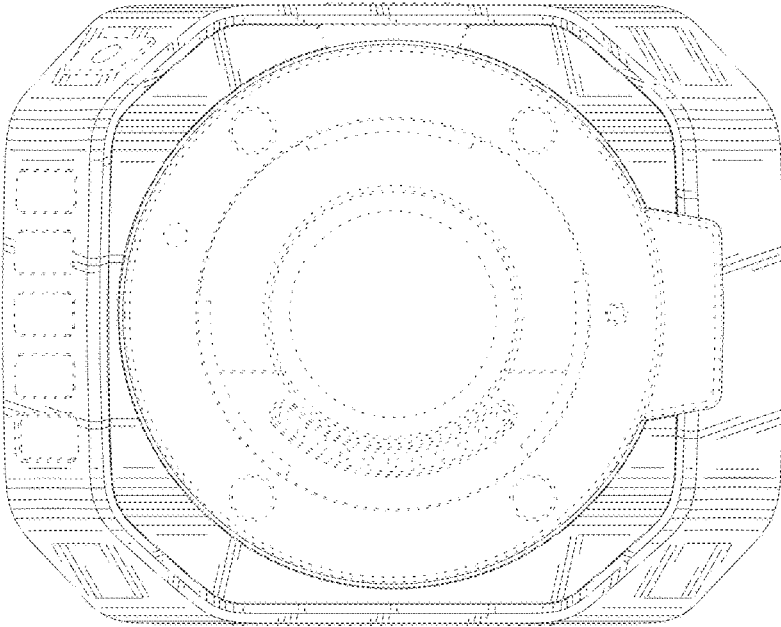


FIG. 3

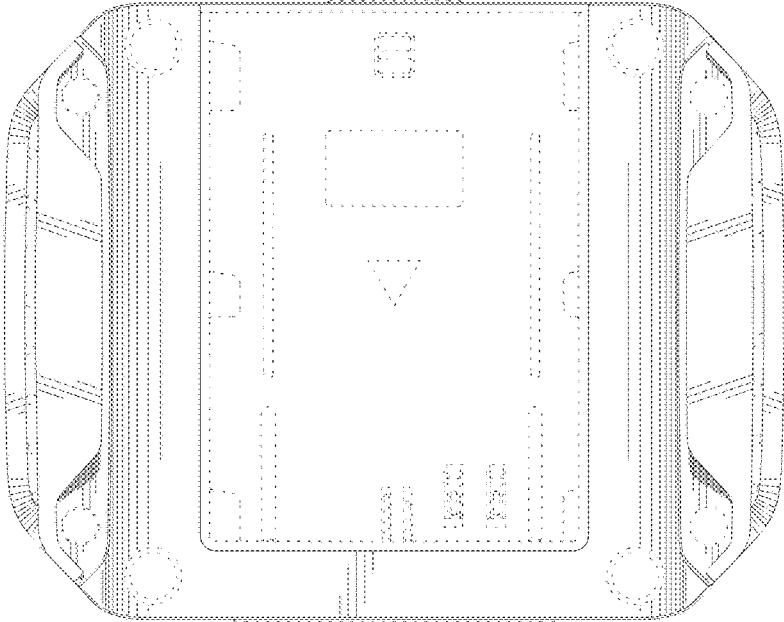


FIG. 4

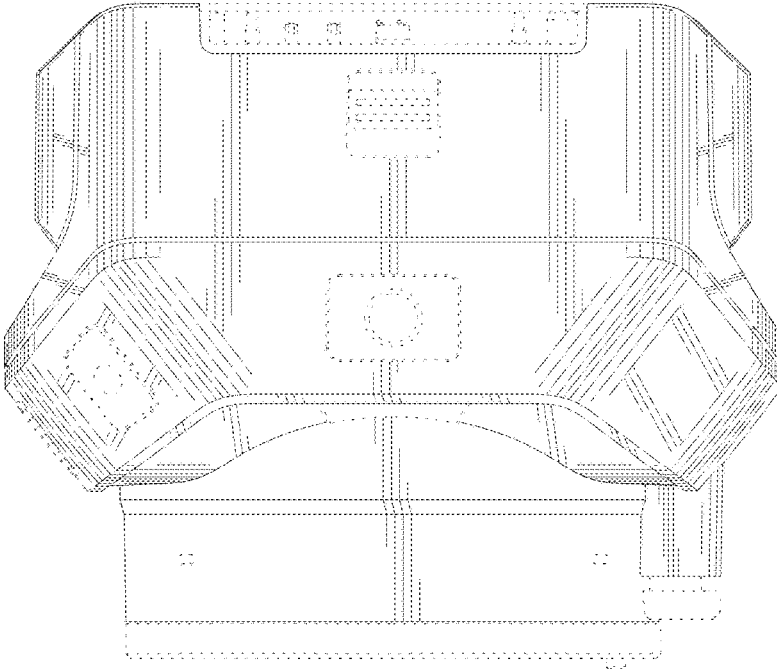


FIG. 5

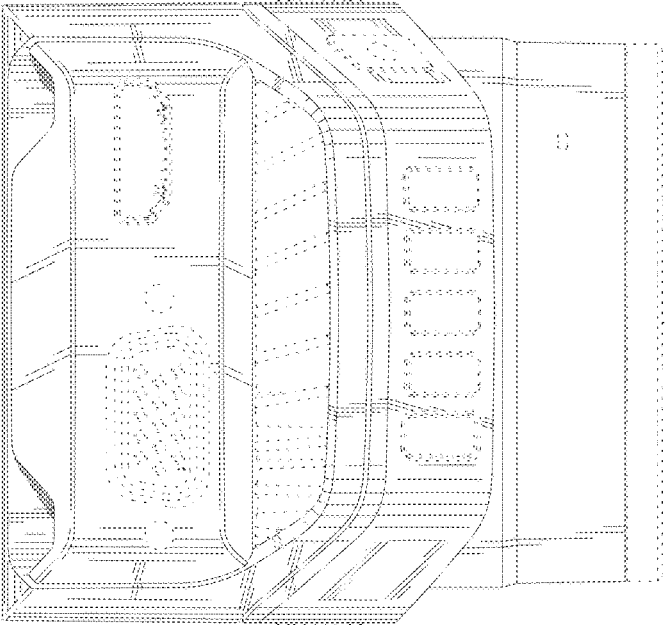


FIG. 6

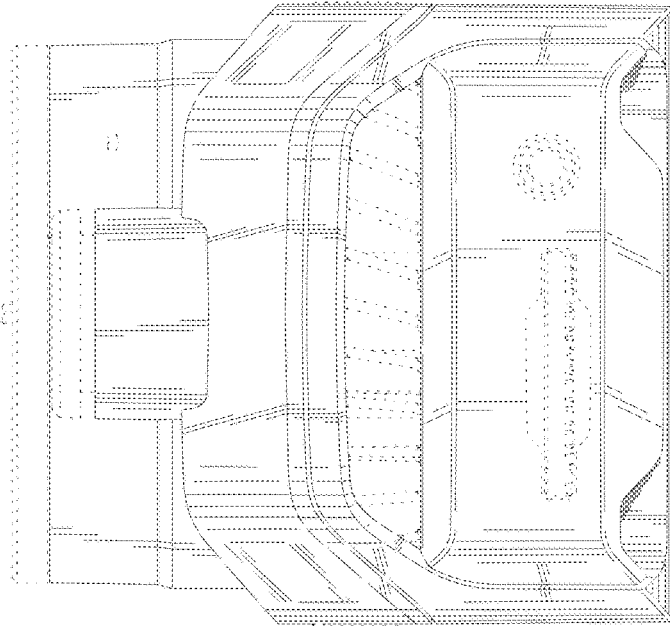


FIG. 7

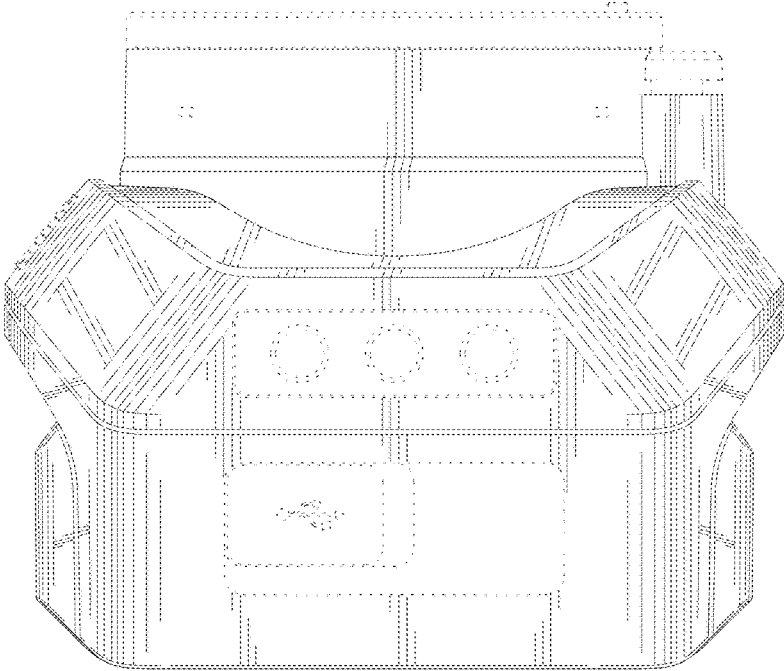


FIG. 8

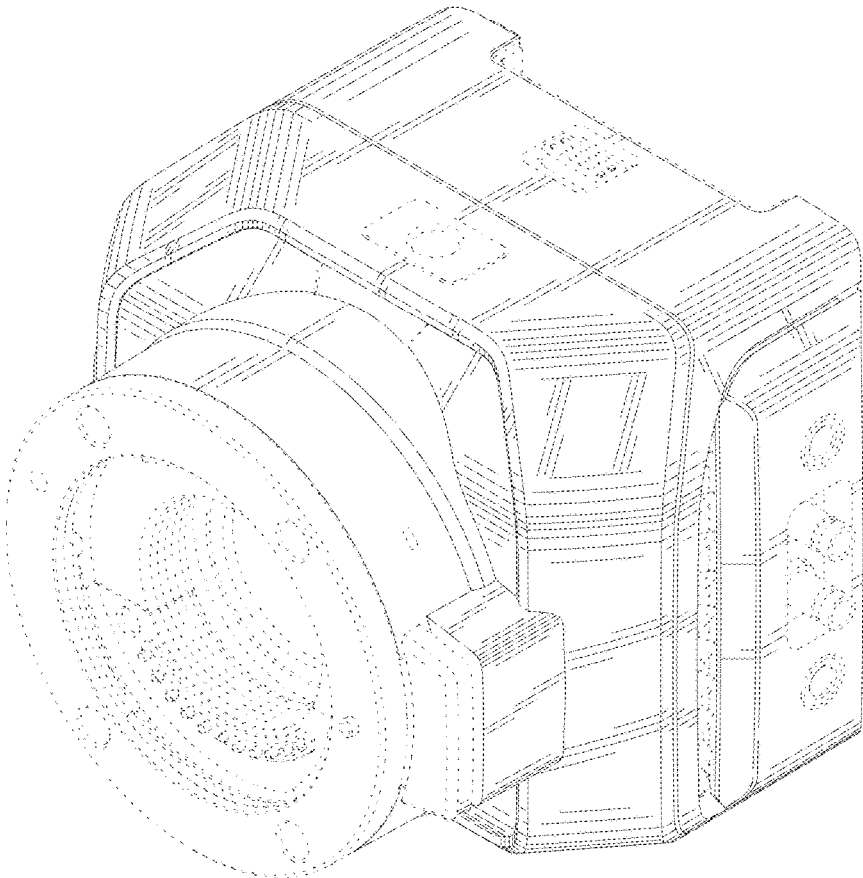


FIG. 9

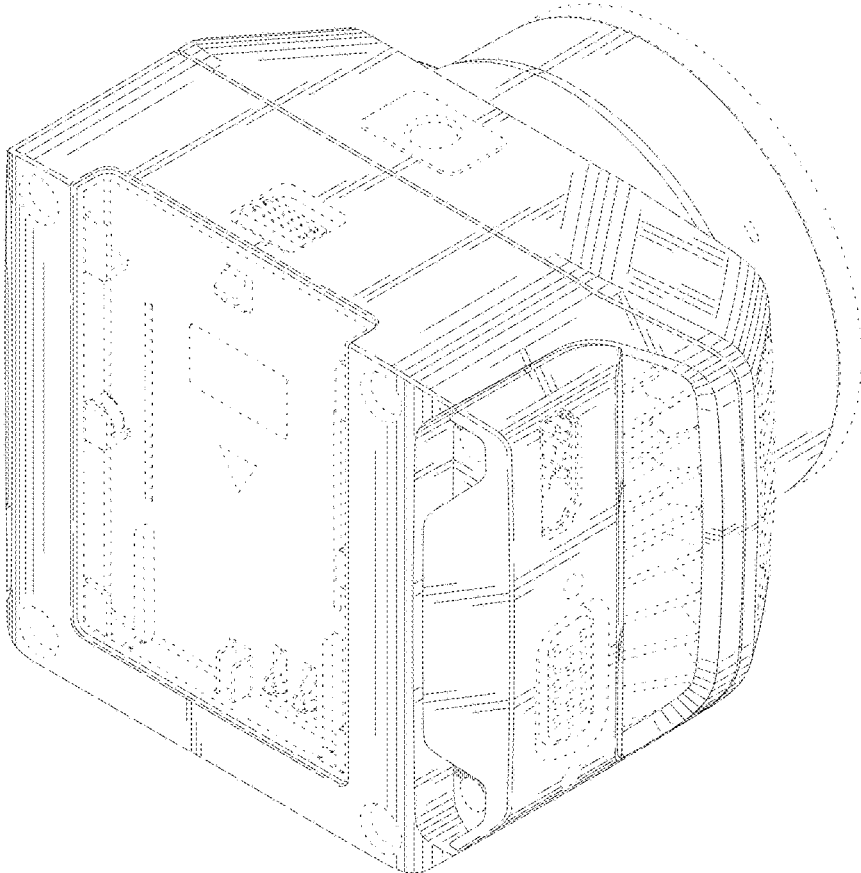


FIG. 10

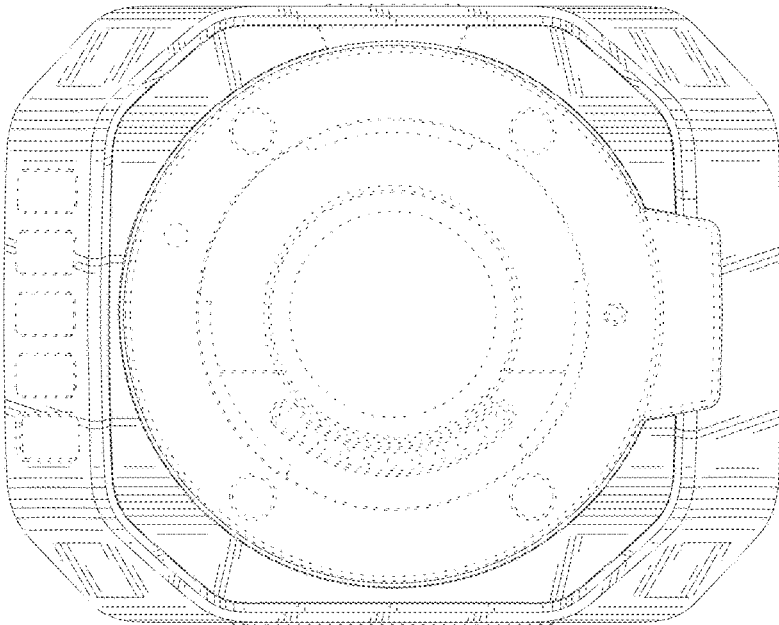


FIG. 11

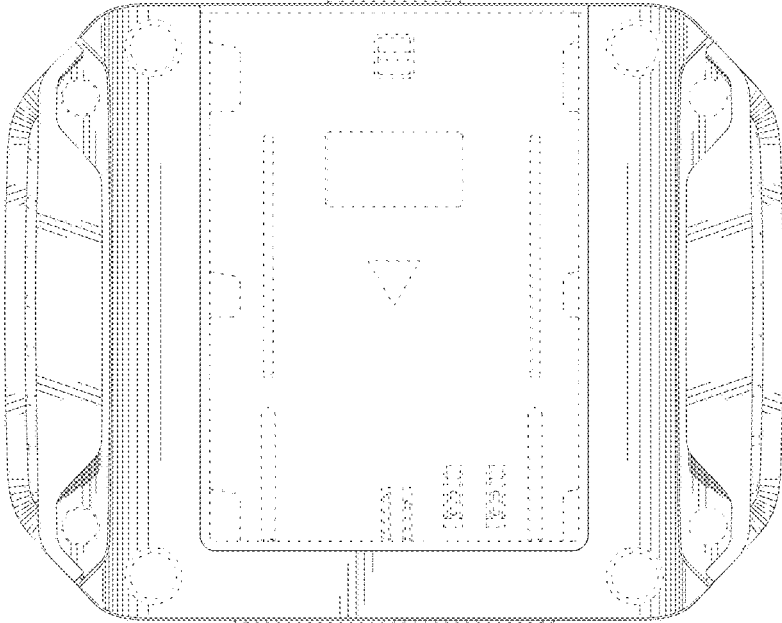


FIG. 12

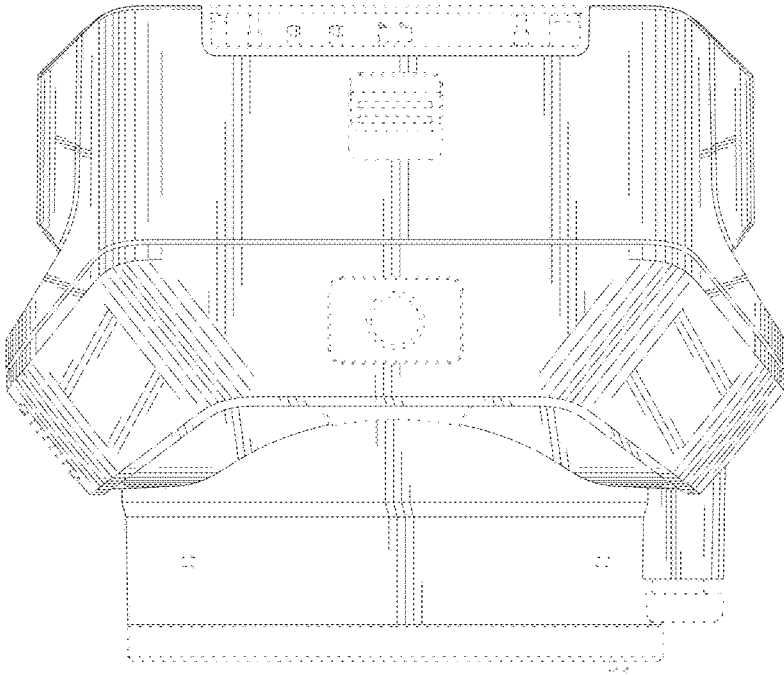


FIG. 13

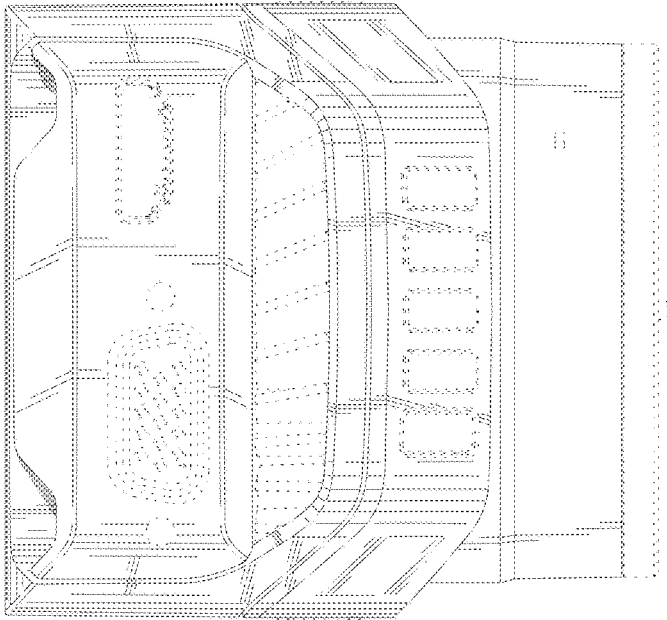


FIG. 14

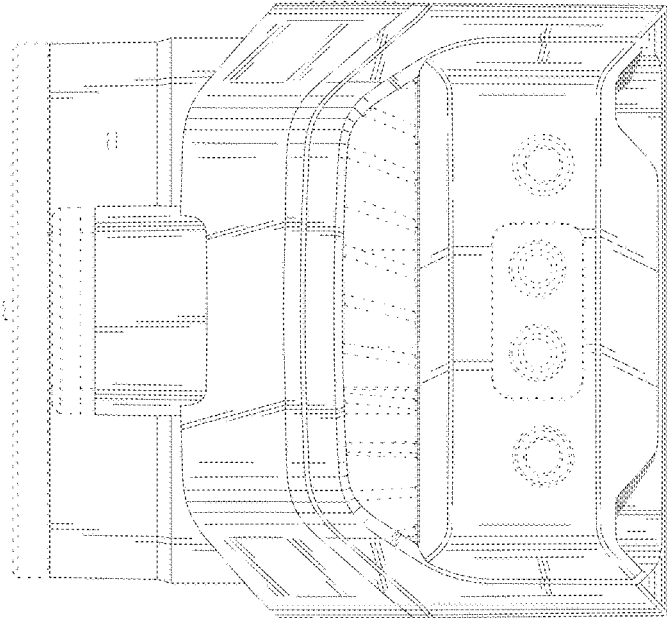


FIG. 15

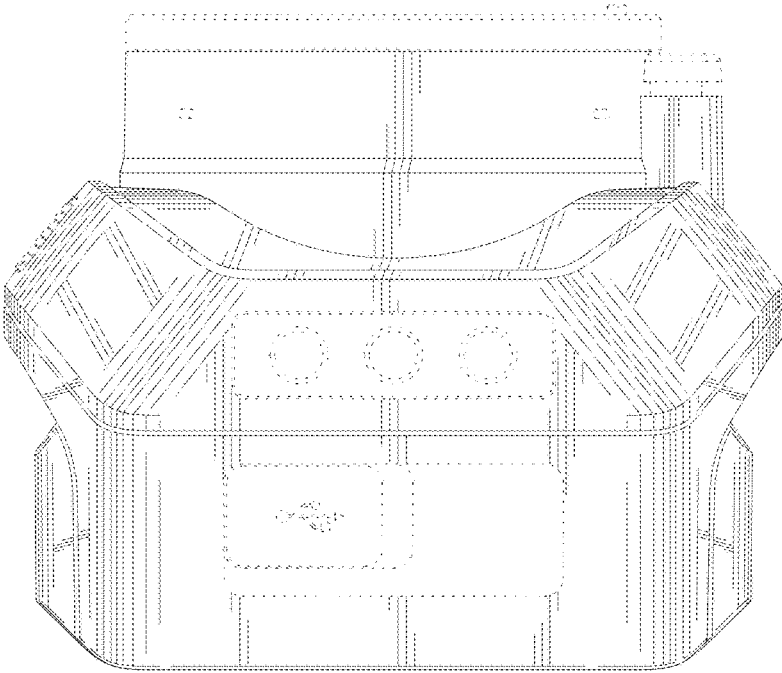


FIG. 16