



US00D794687S

(12) **United States Design Patent**  
**Gericke et al.**

(10) **Patent No.:** **US D794,687 S**

(45) **Date of Patent:** **\*\* Aug. 15, 2017**

(54) **MIXER**

(71) Applicant: **Gericke Holding AG**, Regensdorf (CH)

(72) Inventors: **Markus H. Gericke**, Zollikon (CH);  
**Reto Schaffner**, Weiningen (CH); **Boris Wechner**, Wetzikon (CH); **Christian Scholz**, Neustadt an der Weinstrasse (DE)

(73) Assignee: **GERICKE HOLDING AG**, Regensdorf (CH)

(\*\*) Term: **15 Years**

(21) Appl. No.: **29/558,613**

(22) Filed: **Mar. 18, 2016**

(30) **Foreign Application Priority Data**

Sep. 21, 2015 (EM) ..... 002776245

(51) **LOC (10) Cl.** ..... **15-09**

(52) **U.S. Cl.**  
USPC ..... **D15/122; D15/147**

(58) **Field of Classification Search**  
USPC ..... D7/376; D9/436; D15/122, 147  
CPC .. B01F 3/18; B01F 3/20; B01F 3/2078; B01F 9/06; B01F 15/065; B01F 2009/0092; B01F 2015/061; B01F 2015/0049; B29B 7/50; F28D 7/106; F28D 11/02; F28D 2021/0045; F28F 1/02; F28F 2215/06  
See application file for complete search history.

(56) **References Cited**

**U.S. PATENT DOCUMENTS**

2,344,307 A \* 3/1944 Jones ..... E01C 19/104  
366/24  
2,884,232 A \* 4/1959 Wilkinson ..... B28C 5/325  
222/227

D196,811 S \* 11/1963 Lasar ..... D7/376  
D209,922 S \* 1/1968 Golding ..... D7/372  
3,941,357 A \* 3/1976 Wurtz ..... B01F 7/042  
366/291  
4,588,299 A \* 5/1986 Brown ..... B01F 15/00954  
366/18  
4,963,031 A \* 10/1990 Brown ..... B28C 5/003  
366/141  
5,261,744 A \* 11/1993 Brunn ..... B01F 9/0001  
366/217  
D388,447 S \* 12/1997 Otto ..... D15/147  
D393,476 S \* 4/1998 Lodige ..... D15/147  
D463,205 S \* 9/2002 Schlichting ..... D7/372  
6,471,394 B2 \* 10/2002 Kesig ..... B01F 7/02  
366/331  
D523,025 S \* 6/2006 Ikuta ..... D15/10  
7,168,846 B1 \* 1/2007 Maupin ..... A23N 12/02  
366/226  
D555,420 S \* 11/2007 Voss ..... D7/376  
D583,398 S \* 12/2008 Seiler ..... D15/147  
D598,479 S \* 8/2009 Seiler ..... D15/147  
D662,117 S \* 6/2012 Dorbath ..... D15/147  
D684,811 S \* 6/2013 Fancelli ..... D7/376

(Continued)

*Primary Examiner* — Patricia Palasik

(74) *Attorney, Agent, or Firm* — Johnson, Marcou & Isaacs, LLC; Jennifer S. Stachniak

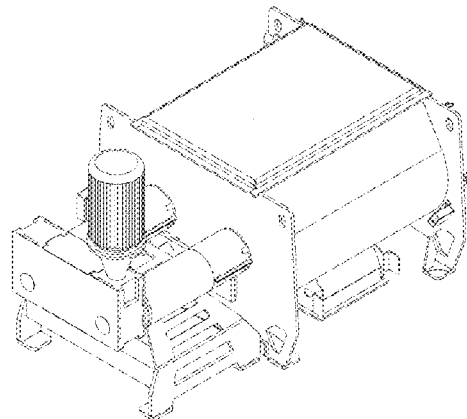
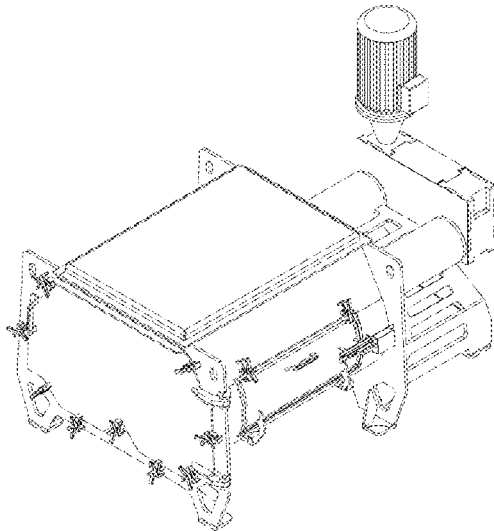
(57) **CLAIM**

The ornamental design for a mixer, as shown and described.

**DESCRIPTION**

FIG. 1 shows a front view of the mixer;  
FIG. 2 shows a right side view of the mixer;  
FIG. 3 shows a rear view of the mixer;  
FIG. 4 shows a top, rear right perspective view of the mixer;  
FIG. 5 shows a top, front left perspective view of the mixer;  
and,  
FIG. 6 shows a top view of the mixer.

**1 Claim, 6 Drawing Sheets**



(56)

**References Cited**

U.S. PATENT DOCUMENTS

|           |    |   |         |          |       |           |
|-----------|----|---|---------|----------|-------|-----------|
| D695,324  | S  | * | 12/2013 | Ballweg  | ..... | D15/122   |
| 8,820,224 | B2 | * | 9/2014  | Isenberg | ..... | A01J 9/04 |
|           |    |   |         |          |       | 99/453    |
| D733,201  | S  | * | 6/2015  | Baak     | ..... | D15/147   |
| D750,933  | S  | * | 3/2016  | Nielsen  | ..... | D7/376    |
| D752,667  | S  | * | 3/2016  | Zhou     | ..... | D15/147   |

\* cited by examiner

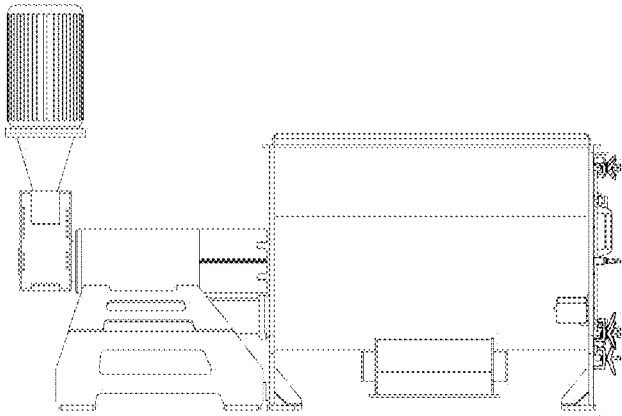


Fig. 1

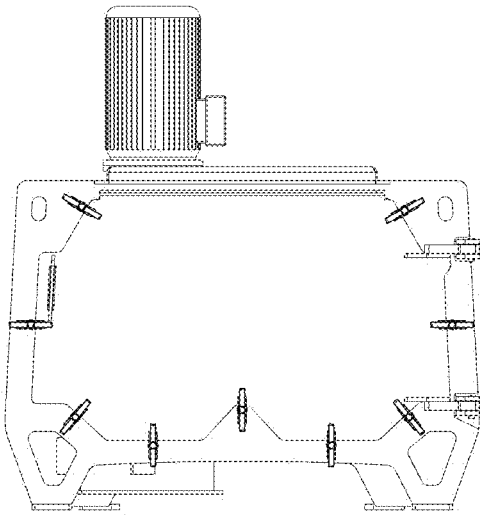


Fig. 2

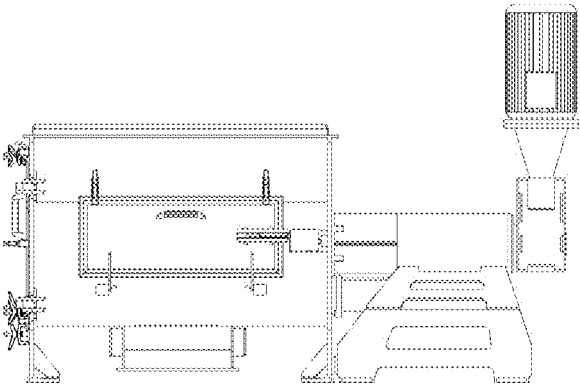


Fig. 3

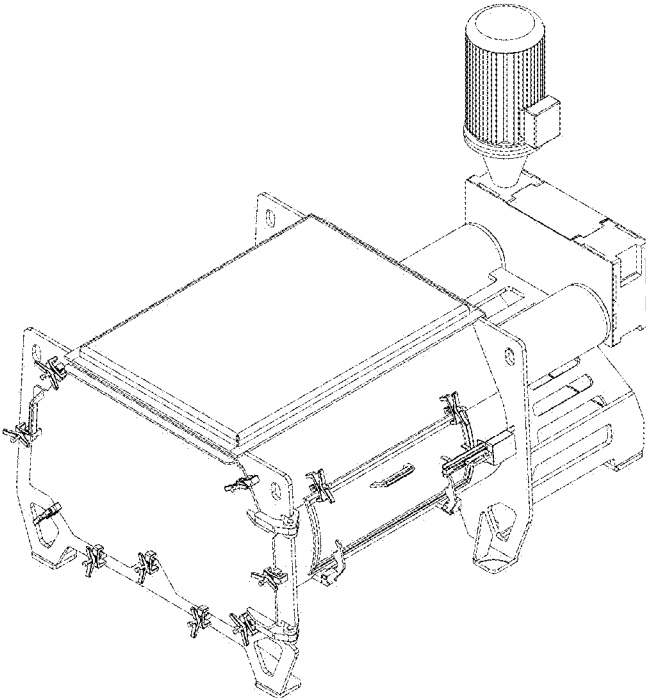


Fig. 4

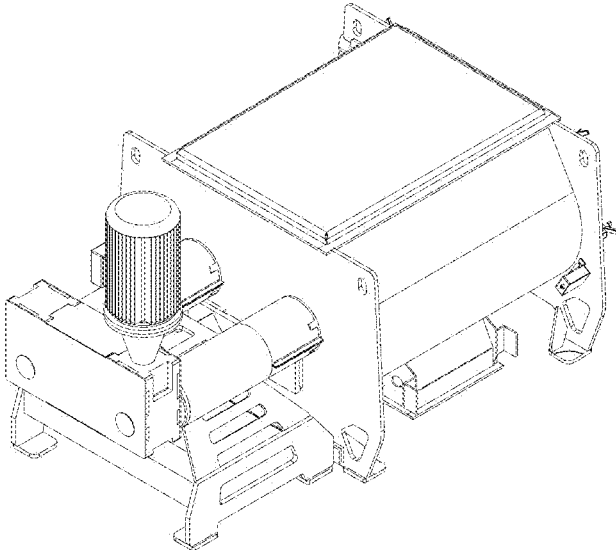


Fig. 5

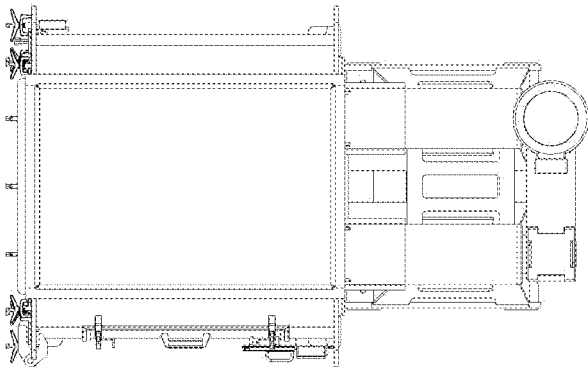


Fig. 6