



US00D759462S

(12) **United States Design Patent**
Bransgrove

(10) **Patent No.:** **US D759,462 S**

(45) **Date of Patent:** **** Jun. 21, 2016**

- (54) **LATCH KEY WITH TRIANGULAR HEAD**
- (71) Applicant: **Christopher Bransgrove**, Hamilton (NZ)
- (72) Inventor: **Christopher Bransgrove**, Hamilton (NZ)
- (73) Assignee: **NU D LIMITED**, Auckland (NZ)
- (**) Term: **14 Years**
- (21) Appl. No.: **29/512,105**
- (22) Filed: **Dec. 16, 2014**
- (51) **LOC (10) Cl.** **08-07**
- (52) **U.S. Cl.**
USPC **D8/347**
- (58) **Field of Classification Search**
USPC D8/107, 300-302, 307, 312, 321, 338, D8/343, 347, 397, 399; D7/393-396; 292/336.3; 74/551.8, 551.9, 553, 554, 74/555, 556, 557; 70/57, 58, 77-79, 89, 70/158, 230, 447; 16/110.1, 413, 414, 16/415, 417, 422, 426; D23/249, 250
CPC ... Y10T 16/469; Y10T 16/44; Y10T 74/2084; Y10T 74/20828; Y10T 74/20822; Y10T 74/20864; Y10T 292/444; Y10T 292/432; Y10T 292/42; Y10T 16/4713; Y10T 16/4707; Y10T 16/476; Y10T 16/506; Y10T 4/20876; Y10T 16/4559; Y10T 292/0902; Y10T 292/1028; Y10T 16/459; Y10T 292/702; Y10T 292/0934; Y10T 137/7069; Y10T 292/1083; Y10T 403/7062; Y10T 292/1078; Y10T 292/1024; Y10T 74/20396; Y10T 292/0968; Y10T 292/1085; Y10T 292/1061; Y10T 292/1047; Y10T 292/854; Y10T 403/60; Y10S 16/30

See application file for complete search history.

(56) **References Cited**

U.S. PATENT DOCUMENTS

2,798,404	A *	7/1957	Schaefer	F16B 37/16 16/110.1
4,109,497	A *	8/1978	Roberts	E05B 21/066 70/366
4,316,326	A *	2/1982	Yeaton	G09B 21/02 30/164.9
D283,298	S *	4/1986	Turpin	D8/331
4,895,036	A *	1/1990	Larson	E05B 21/066 70/284
5,275,027	A *	1/1994	Eklof	A47F 5/0861 211/4
5,339,659	A *	8/1994	Guzzinati	E05B 15/108 292/150
D433,315	S *	11/2000	Chen	D8/347
6,196,036	B1 *	3/2001	Andersen	E05B 17/0058 70/395
7,269,983	B1 *	9/2007	Mchatet	A47F 5/0861 70/14
D680,417	S *	4/2013	Crepinsek	D8/347
9,098,252	B2 *	8/2015	Sauer	G06F 1/186
2004/0211230	A1 *	10/2004	Recknagel	B60D 1/60 70/34
2008/0115637	A1 *	5/2008	Mayfield	B60N 2/2803 81/487

* cited by examiner

Primary Examiner — Derrick Holland

Assistant Examiner — Lauren Calve

(74) *Attorney, Agent, or Firm* — Mark A. Litman & Associates, P.A.

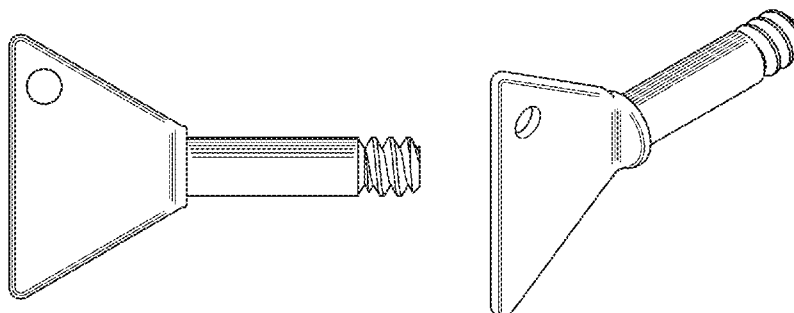
(57) **CLAIM**

The ornamental design for a latch key with triangular head, as shown.

DESCRIPTION

FIG. 1 is a front view of a latch key with triangular head. FIG. 2 is a left side view of the latch key with triangular head. FIG. 3 is a right side view of the latch key with triangular head. FIG. 4 is a top view of the latch key with triangular head; and, FIG. 5 is a bottom view of the latch key with triangular head.

1 Claim, 1 Drawing Sheet



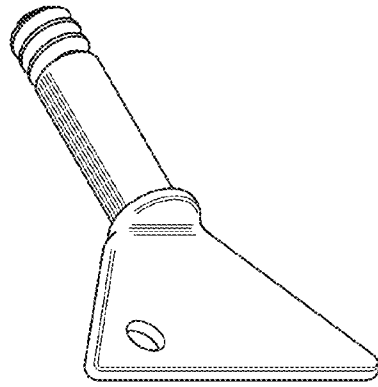


FIG. 5

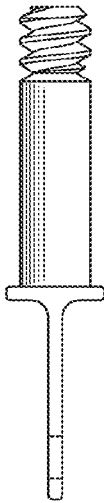


FIG. 2

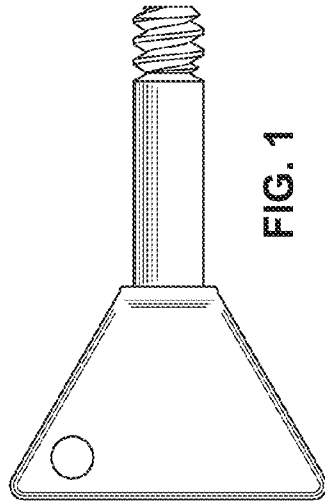


FIG. 1



FIG. 3

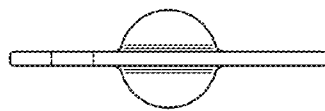


FIG. 4