



US00D623631S

(12) **United States Design Patent**  
**Kung**

(10) **Patent No.:** **US D623,631 S**

(45) **Date of Patent:** **\*\* Sep. 14, 2010**

- (54) **INFARED WIRELESS MICROPHONE**
- (76) Inventor: **Te-Wei Kung**, P.O. Box 90, Tainan City 70499 (TW)
- (\*\*) Term: **14 Years**
- (21) Appl. No.: **29/343,341**
- (22) Filed: **Sep. 11, 2009**

D302,819 S *	8/1989	Kubota .....	D14/228
4,910,795 A *	3/1990	McCowen et al. ....	455/95
D310,368 S *	9/1990	Derhaag et al. ....	D14/228
5,675,660 A *	10/1997	Townsend .....	381/361
6,463,159 B1 *	10/2002	Ming-Cheng .....	381/355
D530,705 S *	10/2006	Shen .....	D14/225
D538,793 S *	3/2007	Ma et al. ....	D14/225
D538,794 S *	3/2007	Ho .....	D14/225
7,606,385 B2 *	10/2009	Akino .....	381/361

\* cited by examiner

*Primary Examiner*—Paula Greene

- (51) **LOC (9) Cl.** ..... **14-01**
- (52) **U.S. Cl.** ..... **D14/228**
- (58) **Field of Classification Search** ..... D14/225, D14/226, 227, 228, 497; 379/430, 431; 381/357, 381/359, 355, 361, 91, 369, 174, 366; 455/569.1, 455/575.1, 90.3, 91, 92, 95, 117; D17/99; 446/416; D21/513, 480; 310/322, 324; D13/133  
See application file for complete search history.

(57) **CLAIM**

The ornamental design for an infared wireless microphone, as shown and described.

**DESCRIPTION**

FIG. 1 is a perspective view of an infared wireless microphone showing my design;

FIG. 2 is a front elevational view thereof;

FIG. 3 is a rear elevational view thereof;

FIG. 4 is a left side elevational view thereof;

FIG. 5 is a right side elevational view thereof;

FIG. 6 is a top plan view thereof;

FIG. 7 is a bottom plan view thereof, the broken lines form no part of the claimed design; and,

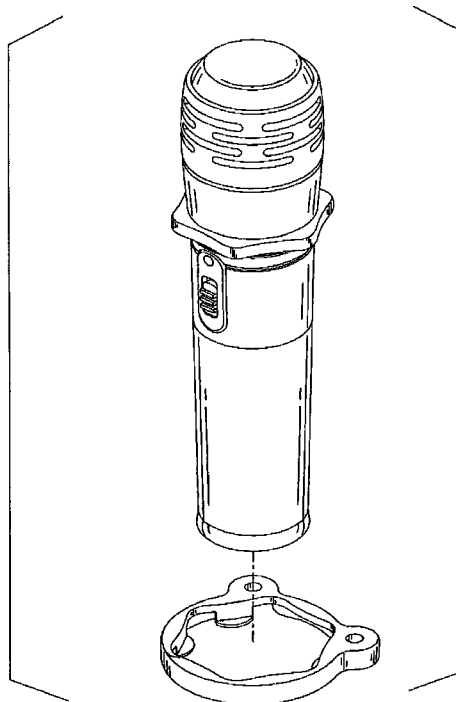
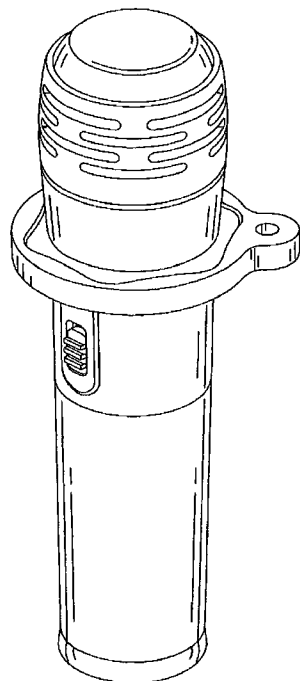
FIG. 8 is an exploded view thereof.

**1 Claim, 7 Drawing Sheets**

(56) **References Cited**

**U.S. PATENT DOCUMENTS**

D156,329 S *	12/1949	Federico et al. ....	D14/227
D213,567 S *	3/1969	Kahn .....	D14/228
3,452,955 A *	7/1969	Hartwig .....	248/229.26
3,718,862 A *	2/1973	Norris .....	455/95
D244,551 S *	5/1977	Weiss .....	D14/225
D247,707 S *	4/1978	Armstrong .....	D14/228
D253,468 S *	11/1979	Peterson .....	D14/228
4,258,235 A *	3/1981	Watson .....	381/174
4,278,851 A *	7/1981	Takaya .....	340/384.6
4,295,009 A *	10/1981	Weidler .....	381/394
4,344,184 A *	8/1982	Edwards .....	455/95
4,694,499 A *	9/1987	Bartlett .....	381/357



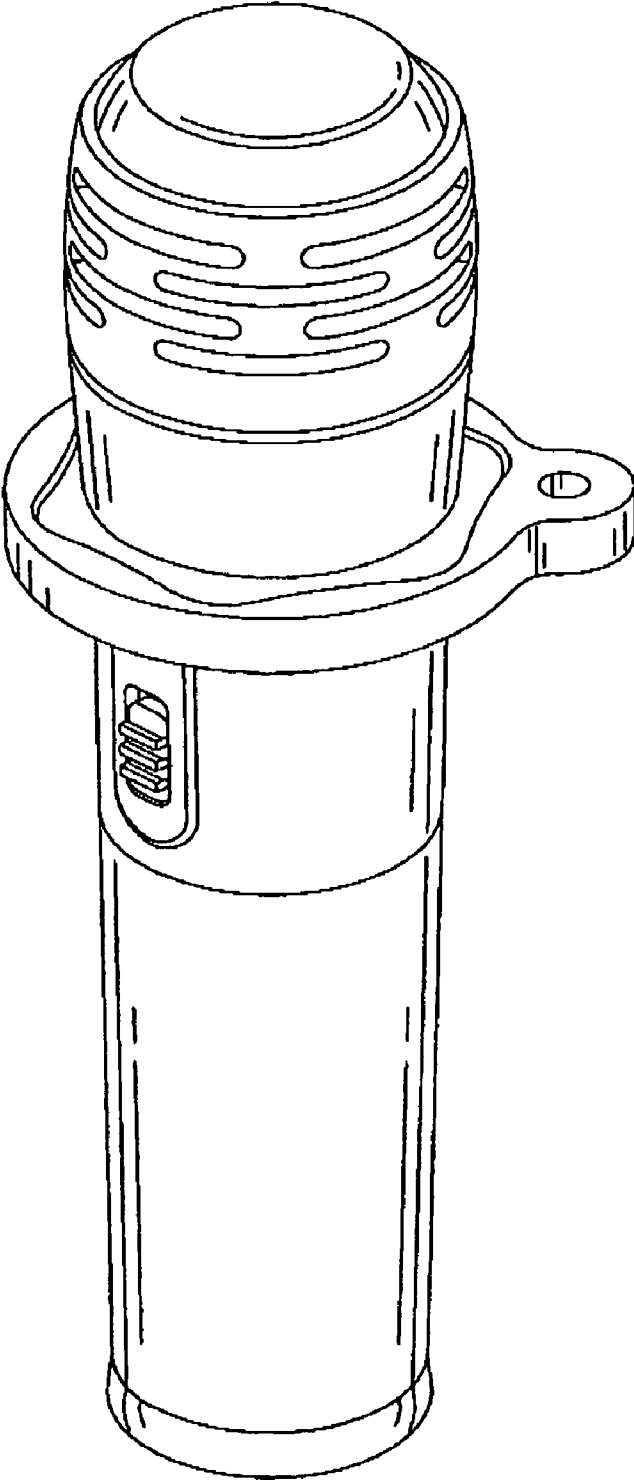


FIG. 1

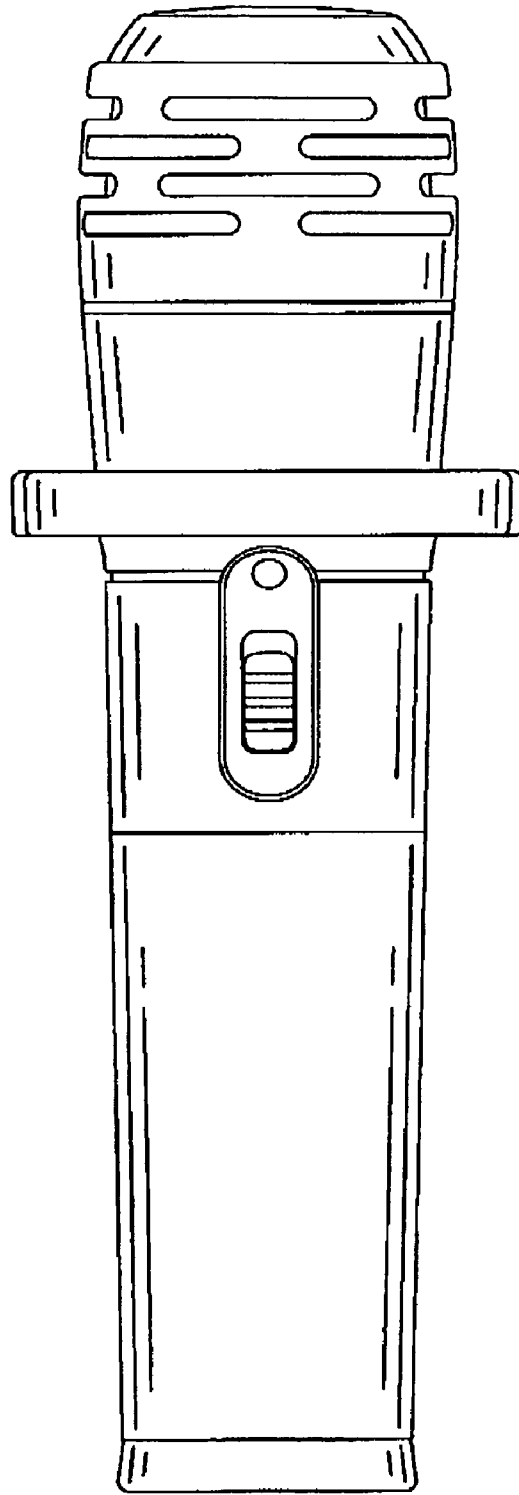


FIG.2

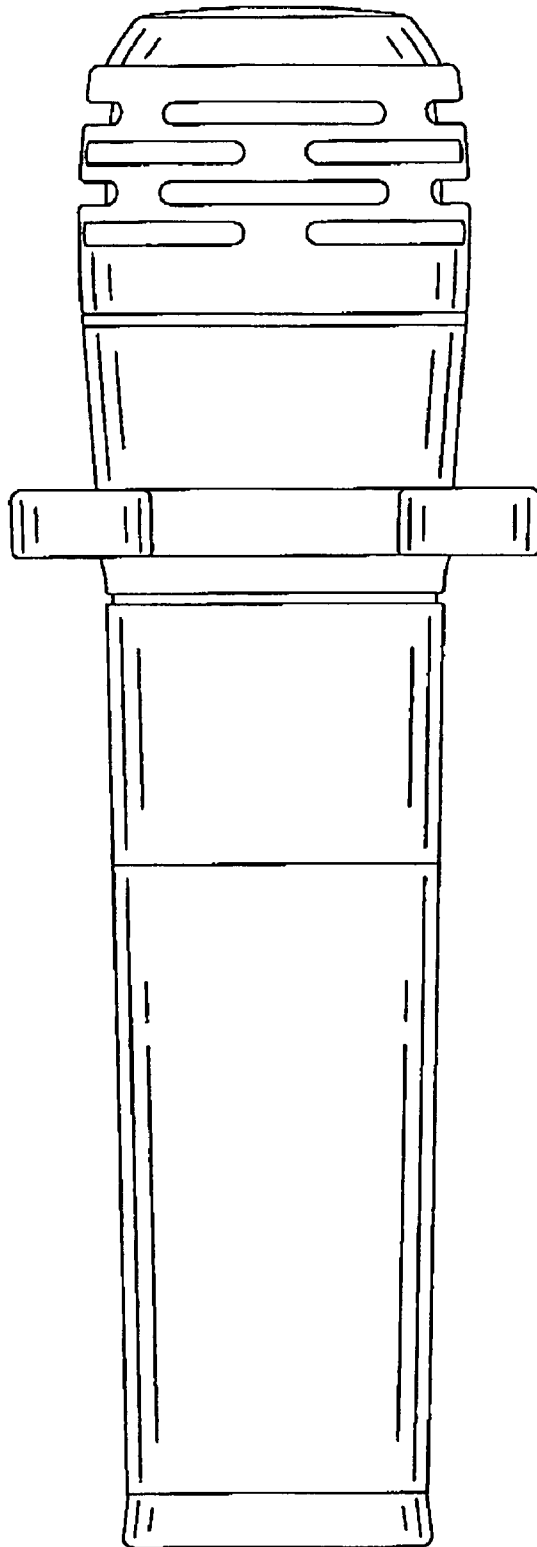


FIG.3

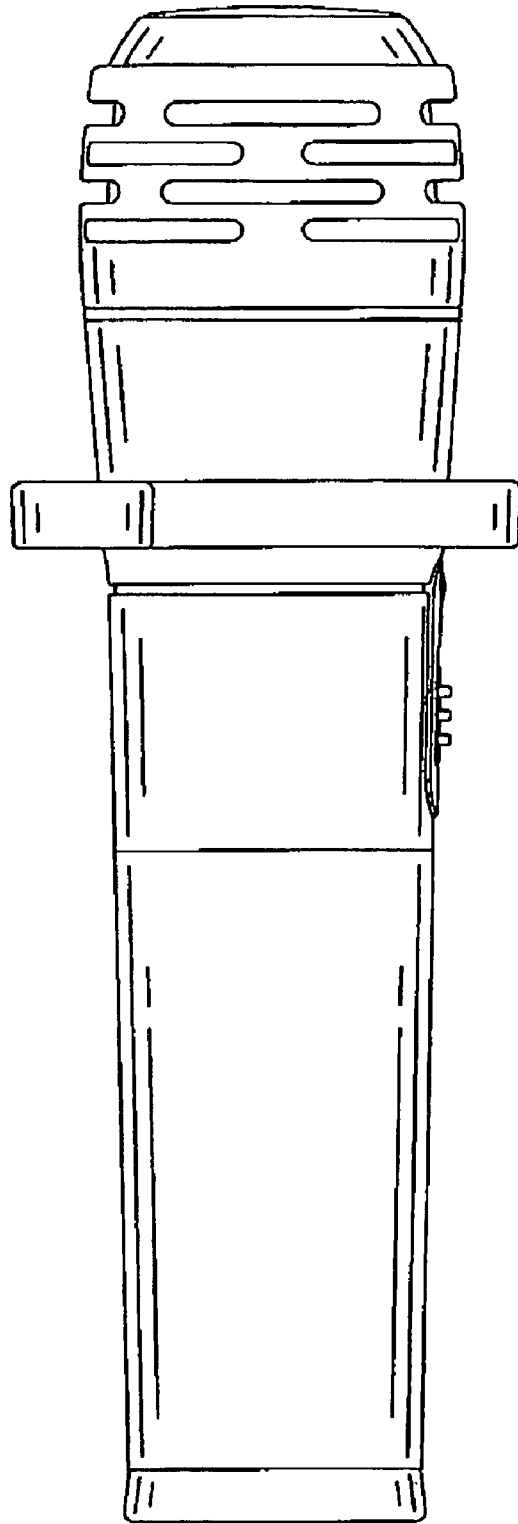


FIG.4

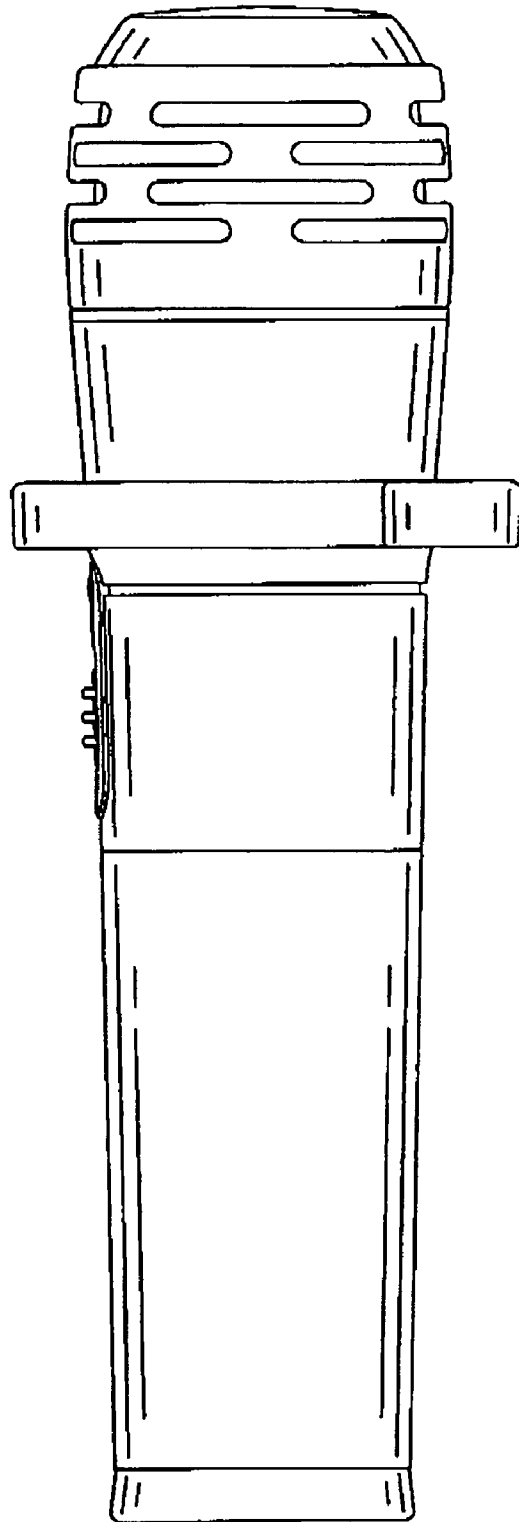
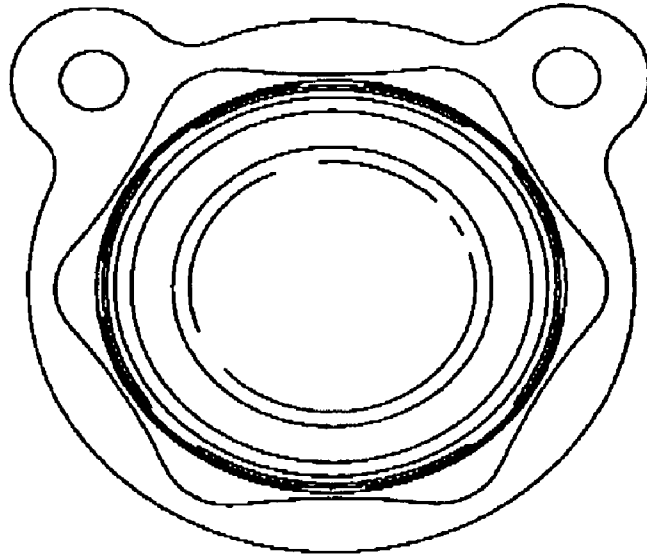
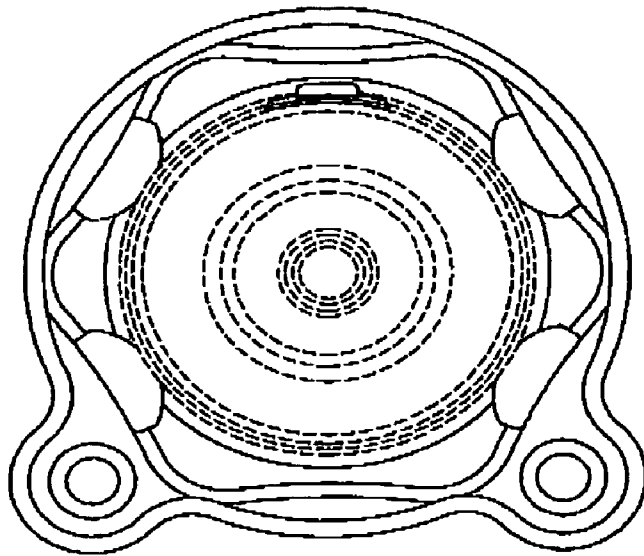


FIG.5



**FIG. 6**



**FIG. 7**

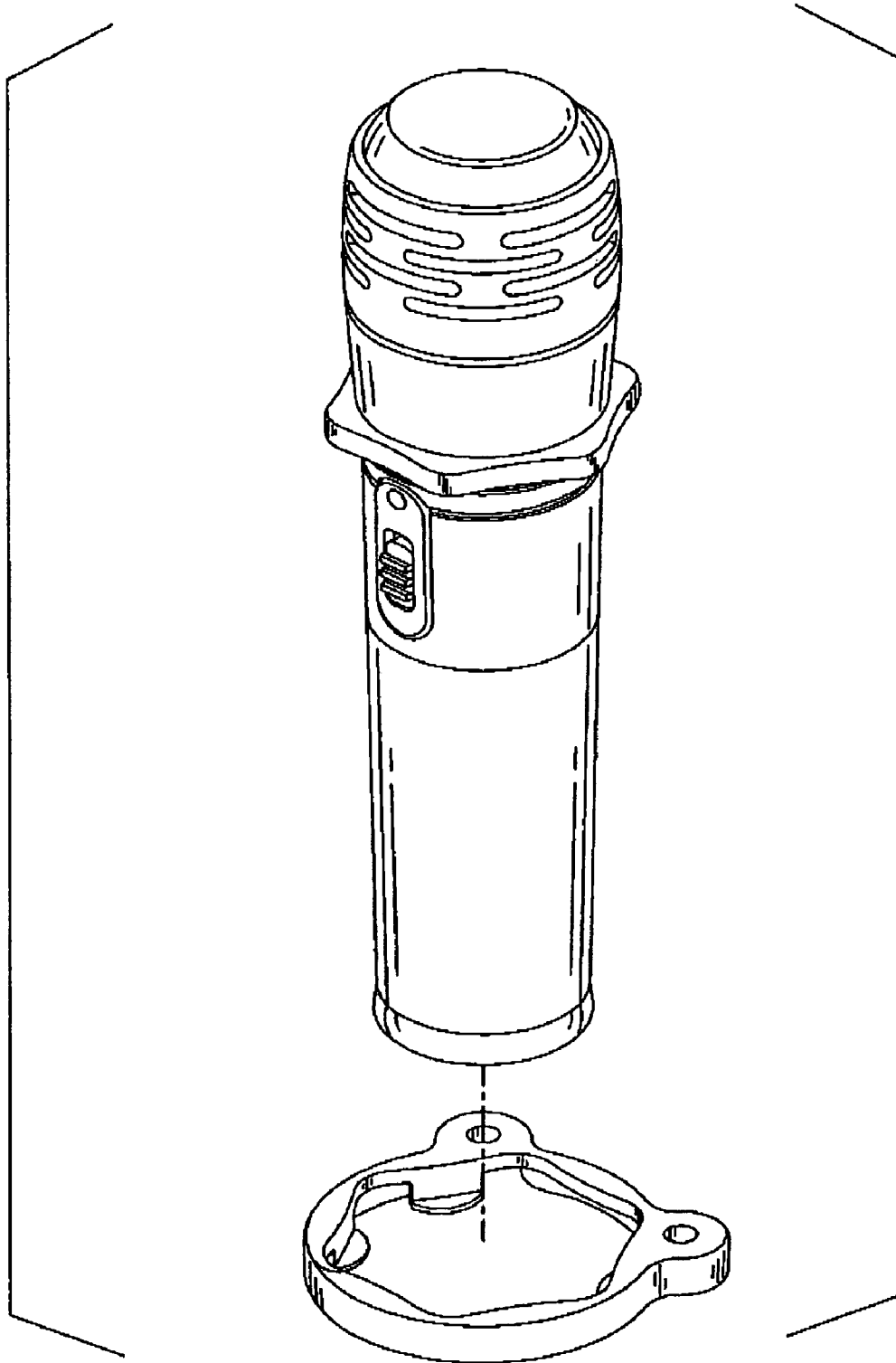


FIG.8