



US00D768297S

(12) **United States Design Patent** (10) **Patent No.:** **US D768,297 S**
Nering et al. (45) **Date of Patent:** **** Oct. 4, 2016**

(54) **MULTI-BARBED ANCHOR** 7,867,252 B2 1/2011 Criscuolo et al.
8,114,099 B2 2/2012 Shipp
(71) Applicant: **Ethicon, Inc.**, Somerville, NJ (US) 8,292,154 B2 10/2012 Marczyk
8,518,055 B1 * 8/2013 Cardinale A61B 17/0682
606/139
(72) Inventors: **Robert Nering**, Stockton, NJ (US); 8,579,920 B2 11/2013 Nering et al.
Glenn Cook, Clinton, NJ (US); **James** 8,585,721 B2 11/2013 Kirsch
A. Flint, Hillsborough, NJ (US) D698,021 S * 1/2014 Nering D24/145
8,663,244 B2 3/2014 Reeser
(73) Assignee: **Ethicon, Inc.**, Somerville, NJ (US) D744,646 S * 12/2015 Nering D24/145
2002/0029064 A1 * 3/2002 Kanner A61B 17/0057
606/221
(**) Term: **14 Years** 2002/0169465 A1 11/2002 Bowman et al.
2006/0129152 A1 6/2006 Shipp
(21) Appl. No.: **29/506,057** 2007/0162030 A1 7/2007 Aranyi et al.
(Continued)

(22) Filed: **Oct. 13, 2014**
(51) **LOC (10) Cl.** **24-02**
(52) **U.S. Cl.**
USPC **D24/145; D8/389**
(58) **Field of Classification Search**
USPC D8/385, 388, 389, 390; D24/145
CPC A61B 17/064; A61B 17/08; A61B
2017/0427; A61B 2017/0464; A61B
2017/0641; A61B 17/0401; A61B 17/0642;
A61B 17/0644
See application file for complete search history.

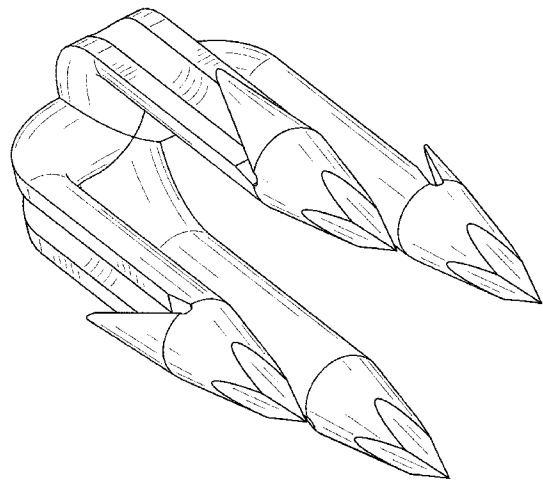
FOREIGN PATENT DOCUMENTS
WO 2011046982 4/2011
Primary Examiner — Sheryl Lane
Assistant Examiner — Ieisha Price
(74) *Attorney, Agent, or Firm* — Doherty IP Law Group
LLC

(57) **CLAIM**
The ornamental design for a multi-barbed anchor, as shown
and described.

(56) **References Cited**
U.S. PATENT DOCUMENTS
D205,375 S * 7/1966 Marotz D8/389
4,548,202 A 10/1985 Duncan
D298,916 S * 12/1988 Beatty D8/390
4,932,960 A * 6/1990 Green A61B 17/0643
606/220
5,223,675 A * 6/1993 Taft H02G 3/26
174/159
5,258,012 A * 11/1993 Luscombe A61B 17/0643
227/902
5,314,427 A * 5/1994 Goble A61B 17/0642
411/457
D377,754 S * 2/1997 Abbott D8/395
D378,409 S * 3/1997 Michelson D24/145
5,830,221 A 11/1998 Stein et al.
6,447,524 B1 9/2002 Knodel et al.
7,267,682 B1 * 9/2007 Bender A61B 17/0644
606/151

DESCRIPTION
FIG. 1 is a perspective view of a multi-barbed anchor;
FIG. 2 is a front elevation view of the multi-barbed anchor
thereof;
FIG. 3 is a rear elevation view of the multi-barbed anchor
thereof;
FIG. 4 is a bottom view of the multi-barbed anchor thereof;
FIG. 5 is a top plan view of the multi-barbed anchor thereof;
FIG. 6 is a left side view of the multi-barbed anchor thereof;
and,
FIG. 7 is a right side view of the multi-barbed anchor
thereof.
The broken lines in the drawings illustrate portions of the
multi-barbed anchor and form no part of the claimed design.

1 Claim, 3 Drawing Sheets



US D768,297 S

Page 2

(56)

References Cited

U.S. PATENT DOCUMENTS

2007/0270906	A1 *	11/2007	Molz	A61B 17/0642	2011/0087277	A1	4/2011	Viola et al.
				606/219	2011/0106113	A1	5/2011	Tavakkolizadeh et al.
2009/0030434	A1 *	1/2009	Paz	A61B 17/064	2012/0029538	A1	2/2012	Reeser
				606/151	2013/0218177	A1 *	8/2013	Miksza
2010/0292715	A1 *	11/2010	Nering	A61B 17/064				A61B 17/08
				606/151	2013/0331867	A1	12/2013	Reeser et al.
					2015/0230839	A1 *	8/2015	Riccione
								A61B 17/8014
								606/297

* cited by examiner

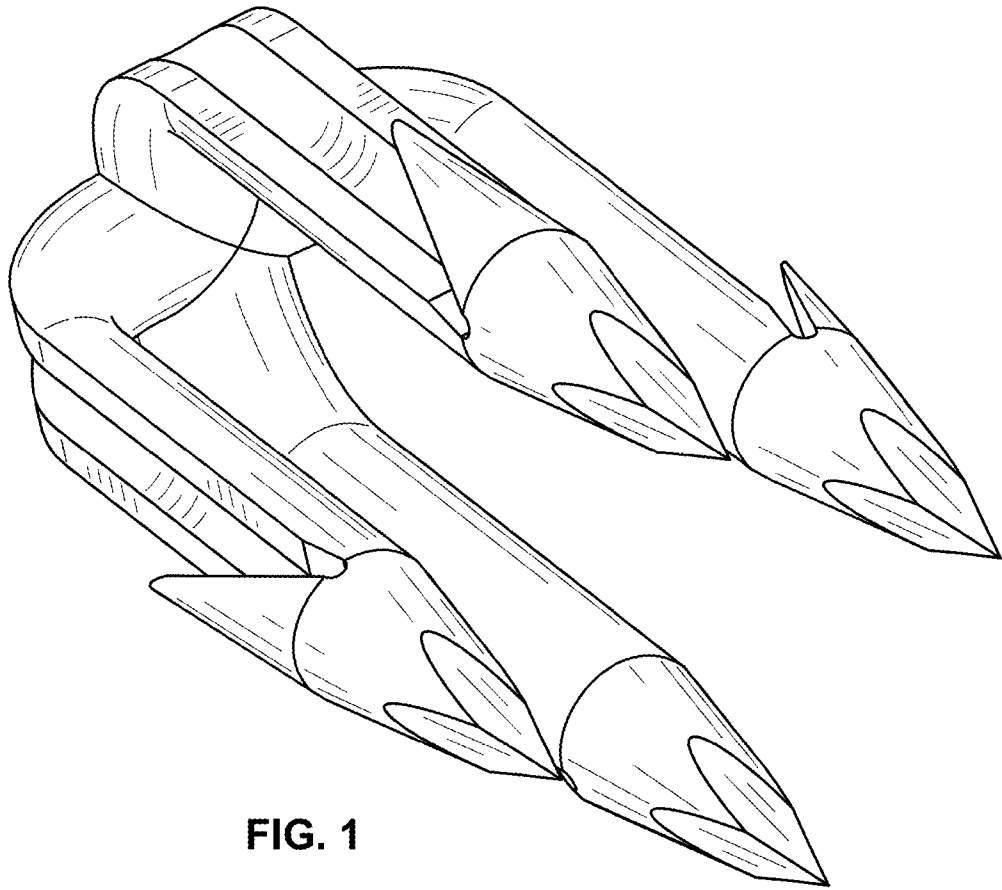


FIG. 1

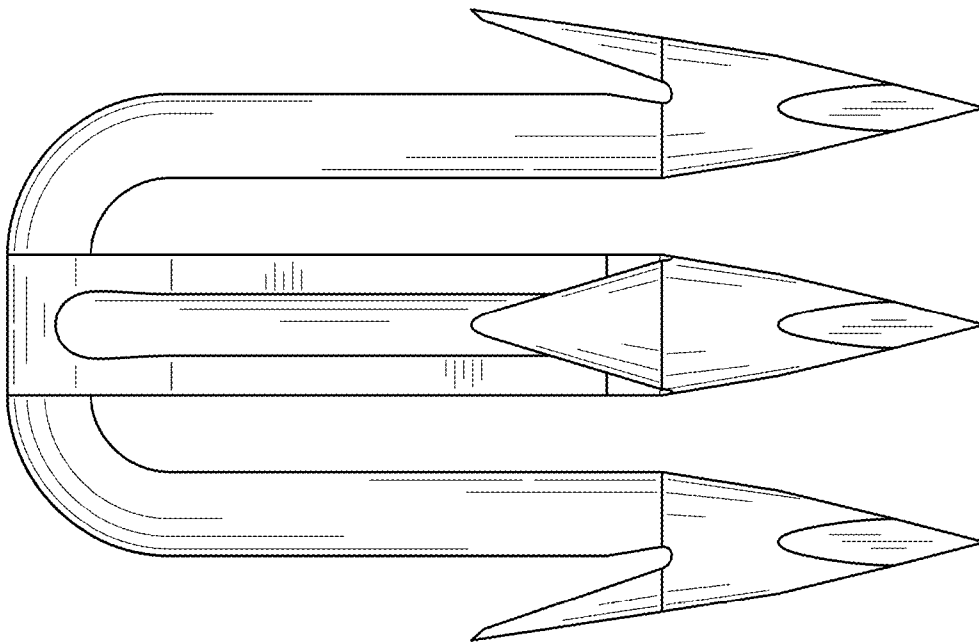


FIG. 2

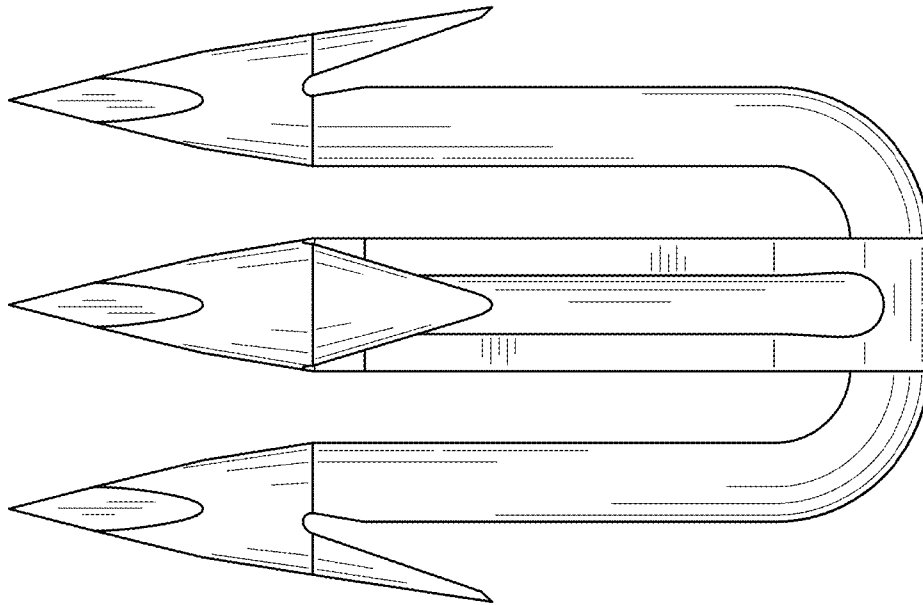


FIG. 3

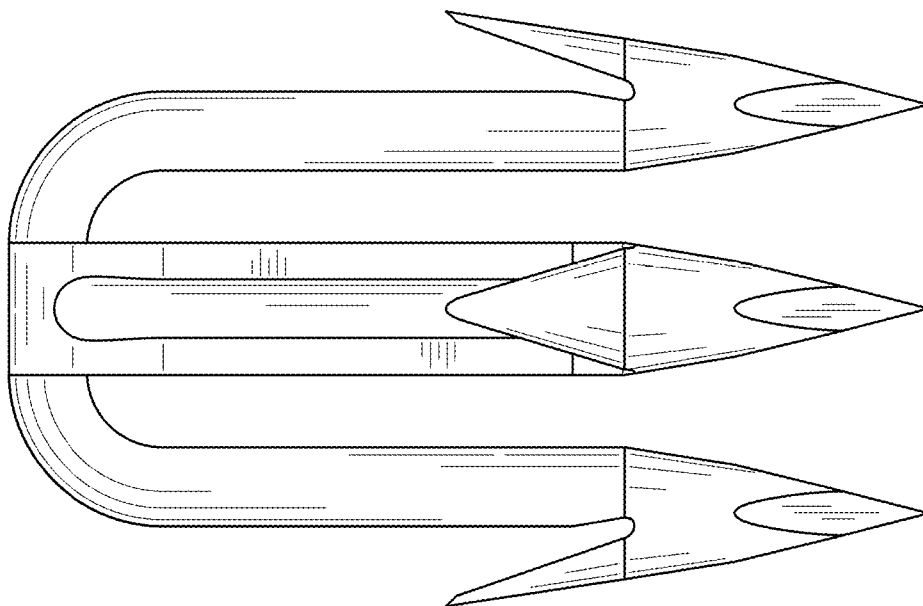


FIG. 4

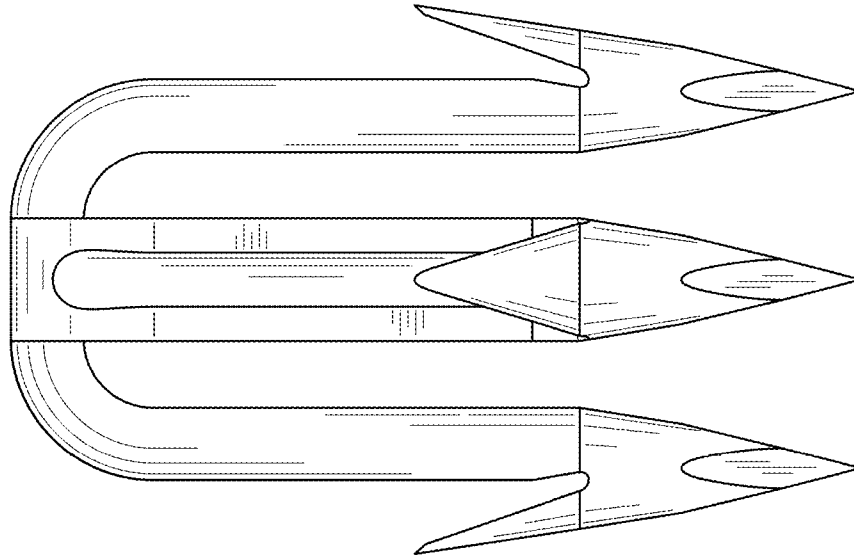


FIG. 5

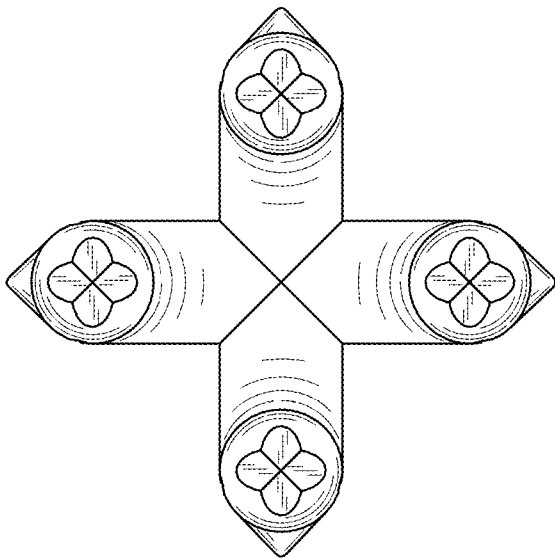


FIG. 6

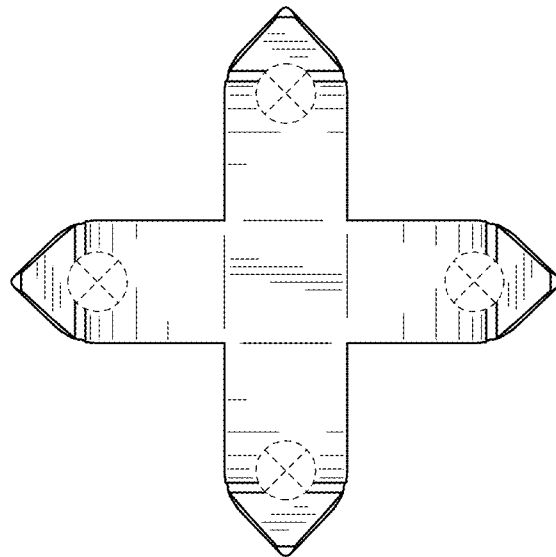


FIG. 7