



US00D666975S

(12) **United States Design Patent**  
**de Bruijn et al.**

(10) **Patent No.:** **US D666,975 S**

(45) **Date of Patent:** **\*\* Sep. 11, 2012**

(54) **ELECTRICAL CONNECTOR**

(75) Inventors: **Jeroen de Bruijn**, Loon Op Zand (NL);  
**Thierry Goossens**, Herdersem-Aalst  
(BE); **Johannes Maria Blasius van**  
**Woensel**, Rosmalen (NL)

(73) Assignee: **FCI**, Guyancourt (FR)

(\*\*) Term: **14 Years**

(21) Appl. No.: **29/407,357**

(22) Filed: **Nov. 28, 2011**

**Related U.S. Application Data**

(63) Continuation of application No. 29/369,327, filed on  
Sep. 7, 2010, now Pat. No. Des. 649,517.

(51) **LOC (9) Cl.** ..... **13-03**

(52) **U.S. Cl.** ..... **D13/147**

(58) **Field of Classification Search** ..... D13/120,  
D13/147, 154; 439/83, 108, 166, 500, 577,  
439/630, 660, 680, 700, 773.1, 862  
See application file for complete search history.

(56) **References Cited**

**U.S. PATENT DOCUMENTS**

3,612,747	A	10/1971	Shlesinger, Jr.
D227,767	S	7/1973	Gillespie
4,171,858	A	10/1979	Knowles et al.
4,560,226	A	12/1985	Dennis
4,749,368	A	6/1988	Mouissie
5,567,545	A	10/1996	Murakami
5,631,098	A	5/1997	Suzuki
D408,353	S	4/1999	Yoshiura
D409,143	S	5/1999	Yoshiura
D410,226	S	5/1999	Yoshiura
6,083,059	A	7/2000	Kuan
6,129,168	A	10/2000	Lotito et al.
D447,122	S	8/2001	Harasawa et al.
6,315,621	B1	11/2001	Natori et al.
D473,192	S	4/2003	Ouchi et al.
D481,996	S	11/2003	Kihira et al.

D485,807	S	1/2004	Kao et al.
6,835,089	B2	12/2004	Hayes et al.
6,932,382	B2	8/2005	Hayes et al.
7,001,205	B2	2/2006	Godefroy et al.
D528,985	S	9/2006	Peng
D529,443	S	10/2006	Chien
D530,679	S	10/2006	Li et al.
D538,228	S	* 3/2007	Wang et al. .... D13/146
D555,093	S	11/2007	Chien et al.
D555,095	S	11/2007	Ho
D555,096	S	11/2007	Peng
D555,131	S	11/2007	Kim et al.
D556,131	S	11/2007	Chien
D556,135	S	11/2007	Dwan et al.

(Continued)

**OTHER PUBLICATIONS**

U.S. Appl. No. 13/226,864, filed Sep. 7, 2011, Bruijn et al.

(Continued)

*Primary Examiner* — Daniel Bui

(74) *Attorney, Agent, or Firm* — Woodcock Washburn LLP

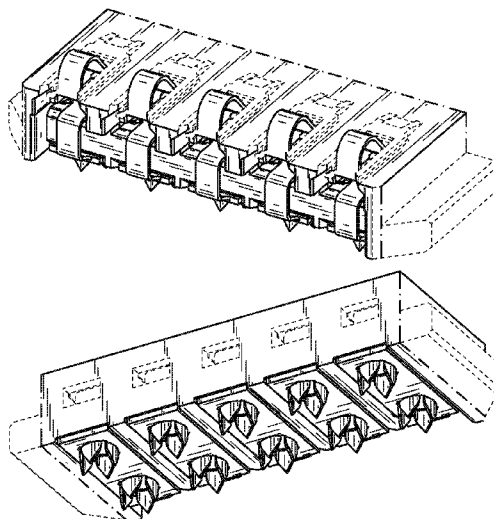
(57) **CLAIM**

The ornamental design for an electrical connector, as shown  
and described.

**DESCRIPTION**

FIG. 1 is a top, right, front perspective view of an electrical  
connector showing our new design;  
FIG. 2 is a bottom, left, rear perspective view thereof;  
FIG. 3 is a front elevation view thereof;  
FIG. 4 is a left side elevation view thereof; and  
FIG. 5 is a rear elevation view thereof.  
FIG. 6 is a right side elevation view thereof;  
FIG. 7 is a top plan view thereof; and,  
FIG. 8 is a bottom plan view thereof.  
The broken line portion of the figure drawings is included to  
show unclaimed subject matter only and forms no part of the  
claimed design.

**1 Claim, 3 Drawing Sheets**



# US D666,975 S

Page 2

## U.S. PATENT DOCUMENTS

D559,180	S	*	1/2008	Lai et al.	.....	D13/120
7,335,068	B2		2/2008	Dwan et al.		
D568,246	S		5/2008	Wu et al.		
D568,248	S		5/2008	Chen et al.		
D569,343	S		5/2008	Hung et al.		
D569,801	S		5/2008	Chuang		
D569,802	S		5/2008	Long et al.		
D570,288	S		6/2008	Ma et al.		
D582,348	S		12/2008	Shiu		
D584,231	S	*	1/2009	Wu	.....	D13/147
D584,237	S		1/2009	Zhu		
D586,294	S		2/2009	Lung		
D596,575	S		7/2009	Chen et al.		
D601,970	S		10/2009	Peng et al.		
D601,971	S		10/2009	Chen et al.		
D603,795	S		11/2009	Kono		
D605,137	S		12/2009	Yu et al.		
D607,834	S		1/2010	Huang		
D607,835	S		1/2010	Huang		
D608,295	S		1/2010	Huang		
7,662,507	B2		2/2010	Schwendinger et al.		
D614,493	S		4/2010	Creed et al.		
D614,507	S		4/2010	Lukan et al.		
D614,583	S		4/2010	Wang		
D615,493	S		5/2010	Kalis		
D615,943	S		5/2010	Kang et al.		
D618,173	S		6/2010	Wang et al.		
D619,538	S		7/2010	Peng		
D642,981	S		8/2011	de Bruijn et al.		
D644,177	S		8/2011	de Bruijn et al.		
D647,863	S	*	11/2011	Su et al.	.....	D13/154
D649,517	S	*	11/2011	de Bruijn et al.	.....	D13/147
2004/0038121	A1		2/2004	Song et al.		
2007/0243458	A1		10/2007	Roehm et al.		
2008/0193837	A1		8/2008	Lu		

## OTHER PUBLICATIONS

U.S. Appl. No. 29/384,323, Jan. 28, 2011, Bruijn et al.  
U.S. Appl. No. 29/384,325, Jan. 28, 2011, Bruijn et al.  
U.S. Appl. No. 29/393,268, Jun. 1, 2011, Kajiura.  
U.S. Appl. No. 29/393,269, Jun. 1, 2011, Kameda et al.  
U.S. Appl. No. 29/393,270, Jun. 1, 2011, Kajiura et al.  
U.S. Appl. No. 29/393,276, Jun. 1, 2011, Kajiura et al.  
U.S. Appl. No. 29/393,278, Jun. 1, 2011, Kameda et al.  
U.S. Appl. No. 29/393,280, Jun. 1, 2011, Kajiura et al.  
U.S. Appl. No. 29/393,281, Jun. 1, 2011, Kameda et al.  
U.S. Appl. No. 29/393,282, Jun. 1, 2011, Kajiura et al.  
U.S. Appl. No. 29/393,283, Jun. 1, 2011, Kameda et al.  
U.S. Appl. No. 29/407,363, Nov. 28, 2011, Kajiura et al.  
U.S. Appl. No. 29/407,370, Nov. 28, 2011, Kajiura et al.

\* cited by examiner

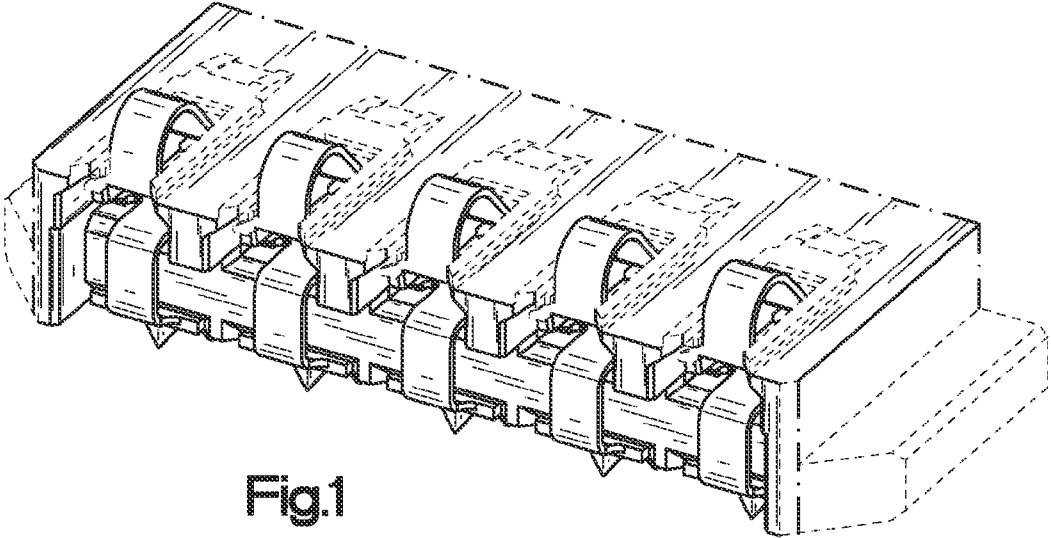


Fig.1

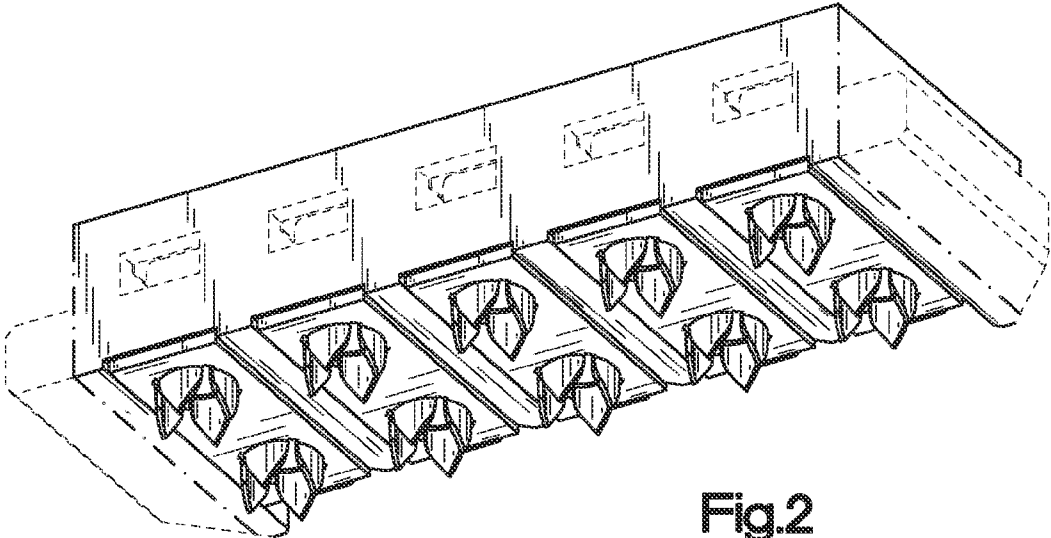


Fig.2

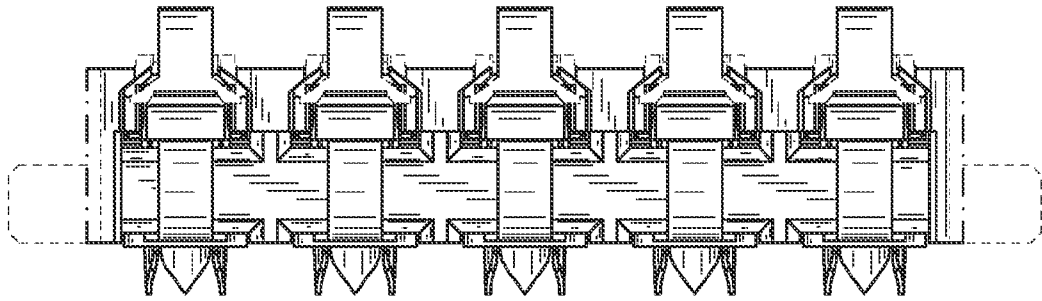


Fig.3

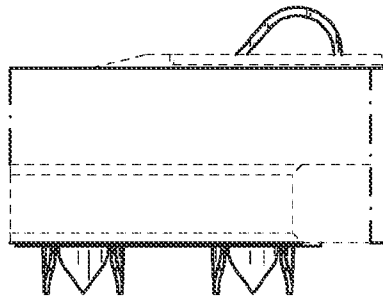


Fig.4

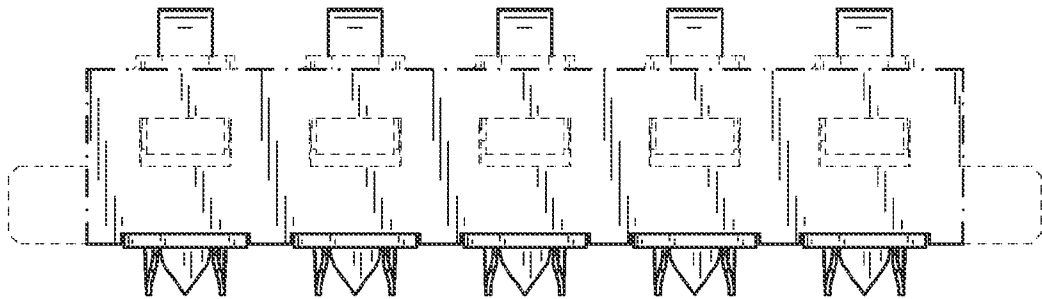


Fig.5

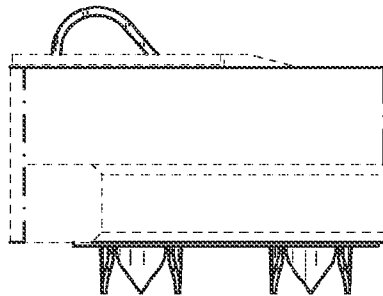


Fig.6

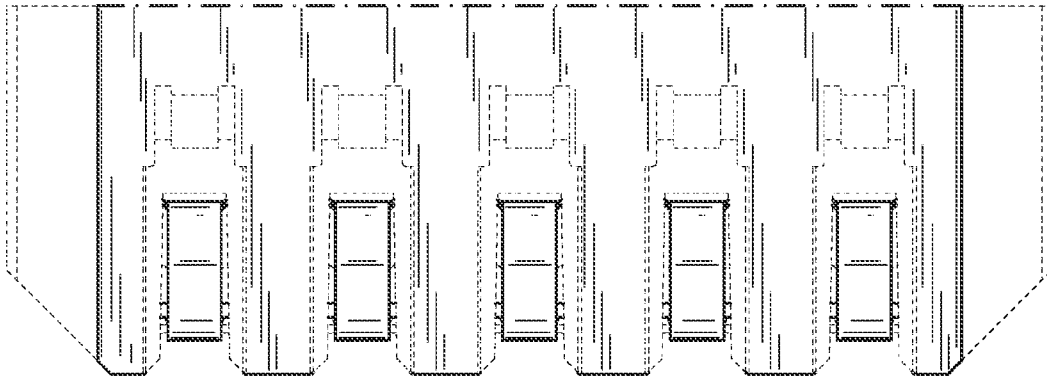


Fig.7

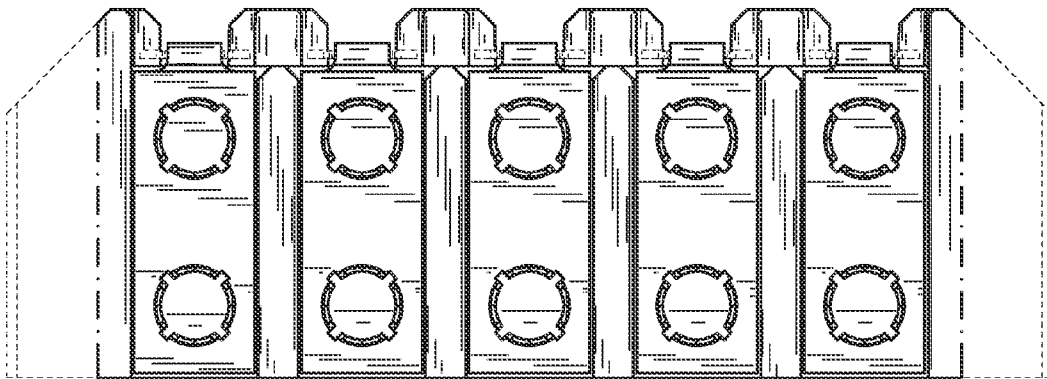


Fig.8