



US0D1009502S

(12) **United States Design Patent**  
**Young**

(10) **Patent No.:** **US D1,009,502 S**

(45) **Date of Patent:** **\*\* Jan. 2, 2024**

- (54) **DINING CHAIR**
- (71) Applicant: **Blu Dot Design & Manufacturing, Inc.**, Minneapolis, MN (US)
- (72) Inventor: **Warren Young**, Roseville, MN (US)
- (73) Assignee: **BLU DOT DESIGN & MANUFACTURING, INC.**, Minneapolis, MN (US)
- (\*\*) Term: **15 Years**

D853,743 S *	7/2019	Tao .....	D6/370
D879,496 S *	3/2020	Velez .....	D6/380
D889,863 S	7/2020	Carter	
D889,874 S	7/2020	Corrado	
D890,540 S	7/2020	Smrstick	
D890,541 S	7/2020	Bray	
D890,543 S *	7/2020	Chen .....	D6/379
D932,794 S	10/2021	Smrstick	
D939,236 S *	12/2021	Bentzen .....	D6/379
D943,300 S *	2/2022	Tran .....	D6/380
D961,286 S *	8/2022	Gam .....	D6/374
D961,287 S *	8/2022	Gam .....	D6/374
D982,335 S *	4/2023	Bentzen .....	D6/360

\* cited by examiner

- (21) Appl. No.: **29/829,190**
- (22) Filed: **Mar. 3, 2022**
- (51) **LOC (14) Cl.** ..... **06-01**
- (52) **U.S. Cl.**  
USPC ..... **D6/380**
- (58) **Field of Classification Search**  
USPC ..... D6/372, 373, 374, 375, 376, 379, 380  
CPC ..... A47B 2230/16; A47C 4/021; A47C 4/025;  
A47C 4/027; A47C 4/02; A47C 4/03;  
A47C 3/029; A47C 7/006; A47C 7/42;  
A47C 31/11  
See application file for complete search history.

*Primary Examiner* — Paul D Bohannon  
(74) *Attorney, Agent, or Firm* — Fredrikson & Byron, P.A.

(57) **CLAIM**

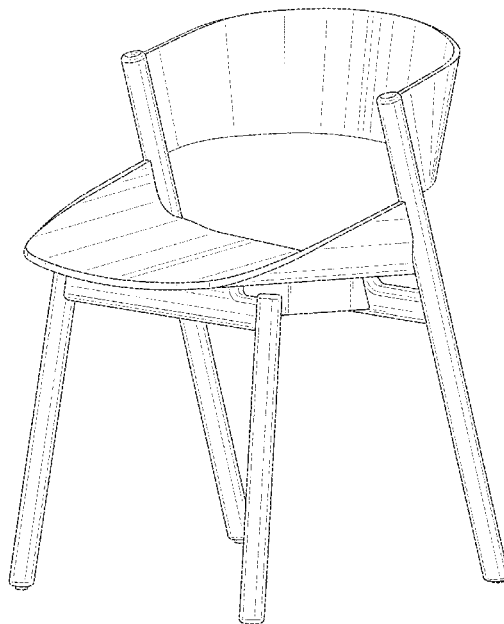
Applicant claims the ornamental design for a dining chair, as shown and described.

**DESCRIPTION**

FIG. 1 is a front upper perspective view of a dining chair of Applicant's design;  
FIG. 2 is a front elevational view thereof;  
FIG. 3 is a rear elevational view thereof;  
FIG. 4 is a first side elevational view thereof;  
FIG. 5 is a second side elevational view thereof, the second side elevational view being opposite the first side elevational view;  
FIG. 6 is a top plan view thereof; and,  
FIG. 7 is a bottom plan view thereof.

- (56) **References Cited**  
U.S. PATENT DOCUMENTS
- |              |        |                                |        |
|--------------|--------|--------------------------------|--------|
| D158,510 S * | 5/1950 | Saarinen .....                 | D6/374 |
| D234,888 S * | 4/1975 | Simula .....                   | D6/380 |
| D314,872 S * | 2/1991 | Engel .....                    | D6/374 |
| D446,662 S * | 8/2001 | Haas .....                     | D6/373 |
| D569,647 S * | 5/2008 | Mezger .....                   | D6/374 |
| D709,710 S * | 7/2014 | Ye .....                       | D6/375 |
| D816,365 S * | 5/2018 | de Oliveira Pires Junior ..... | D6/379 |
| D845,021 S   | 4/2019 | Bray                           |        |
| D850,138 S * | 6/2019 | Taraba .....                   | D6/380 |

**1 Claim, 7 Drawing Sheets**



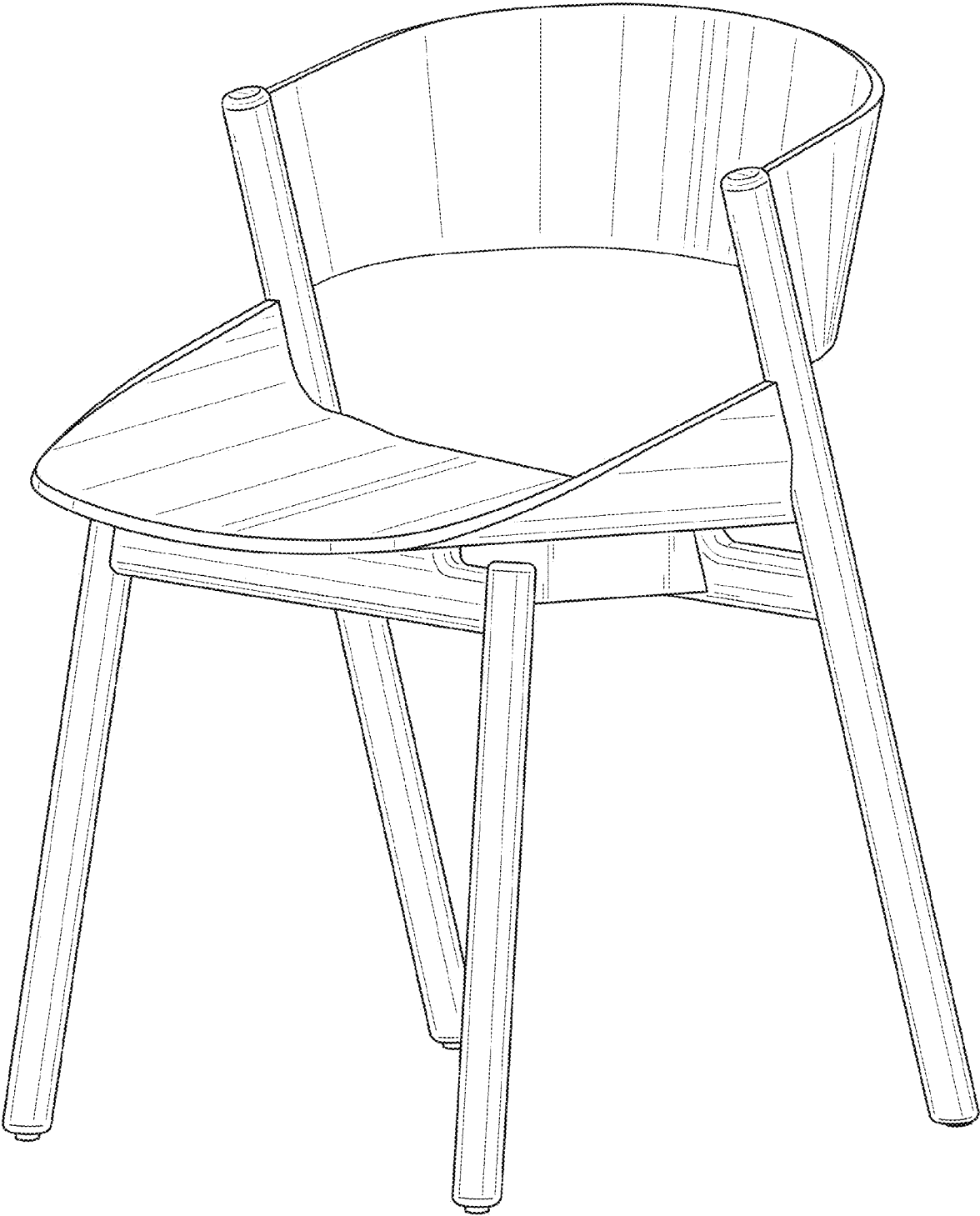


FIG. 1

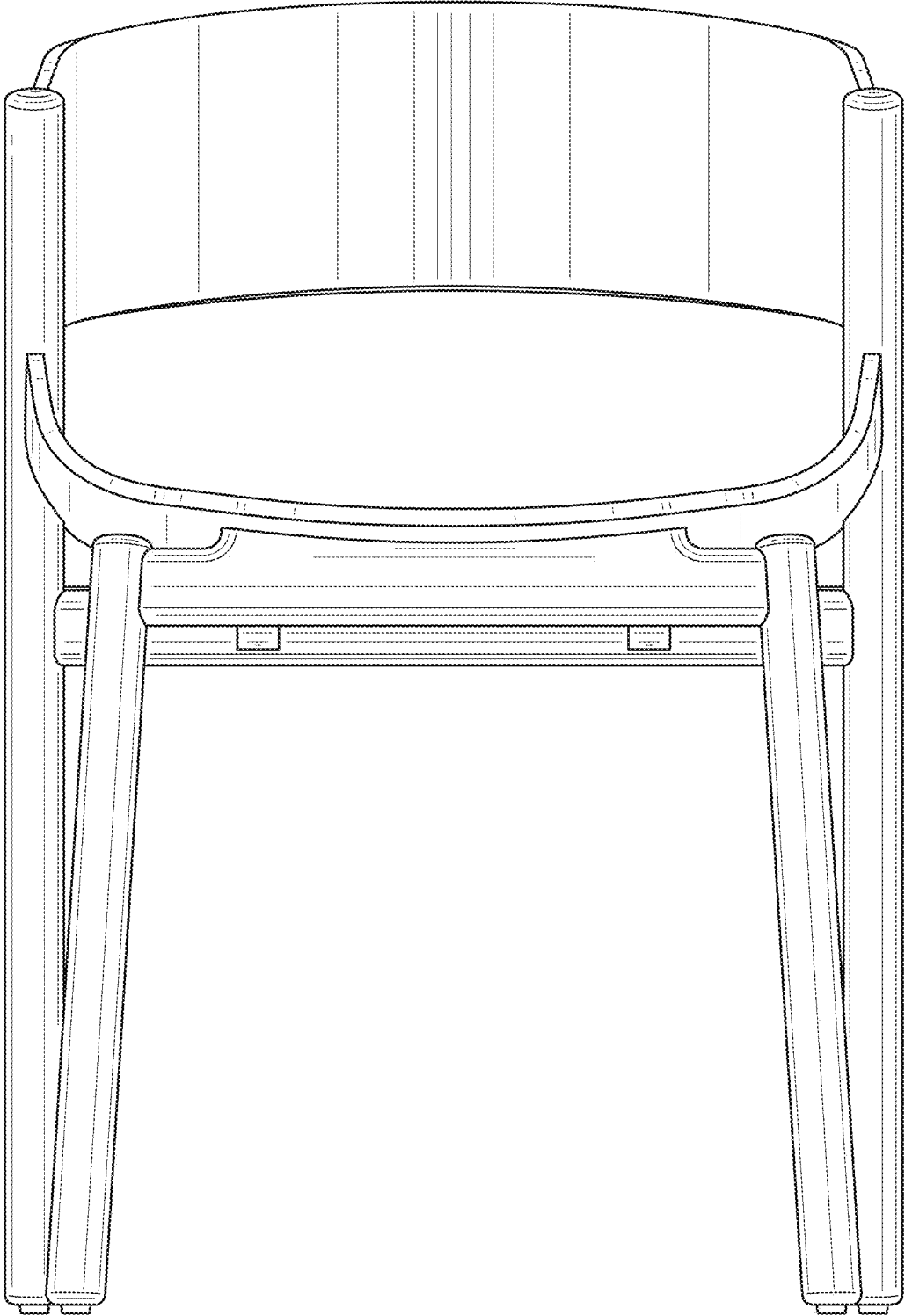


FIG. 2

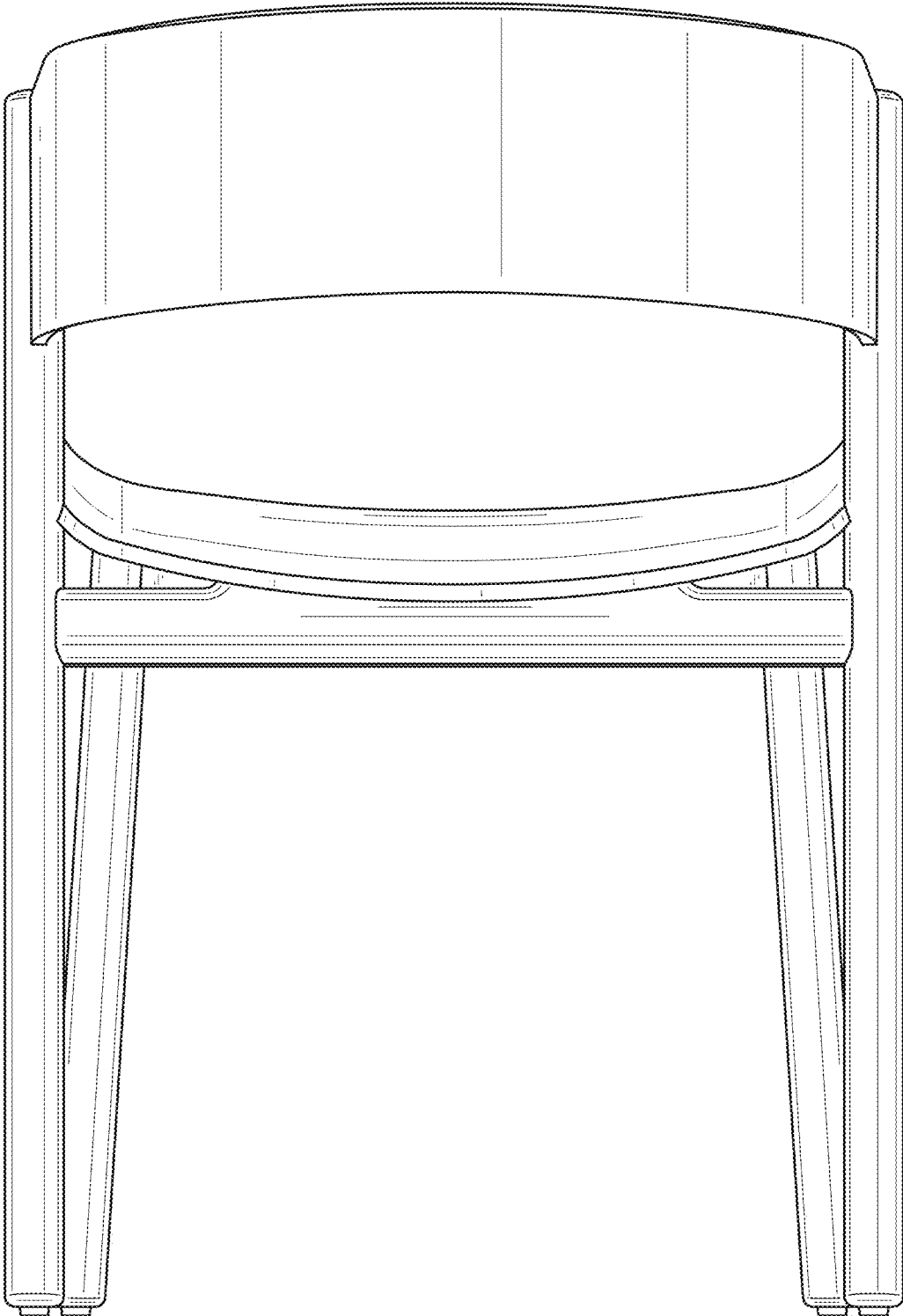


FIG. 3

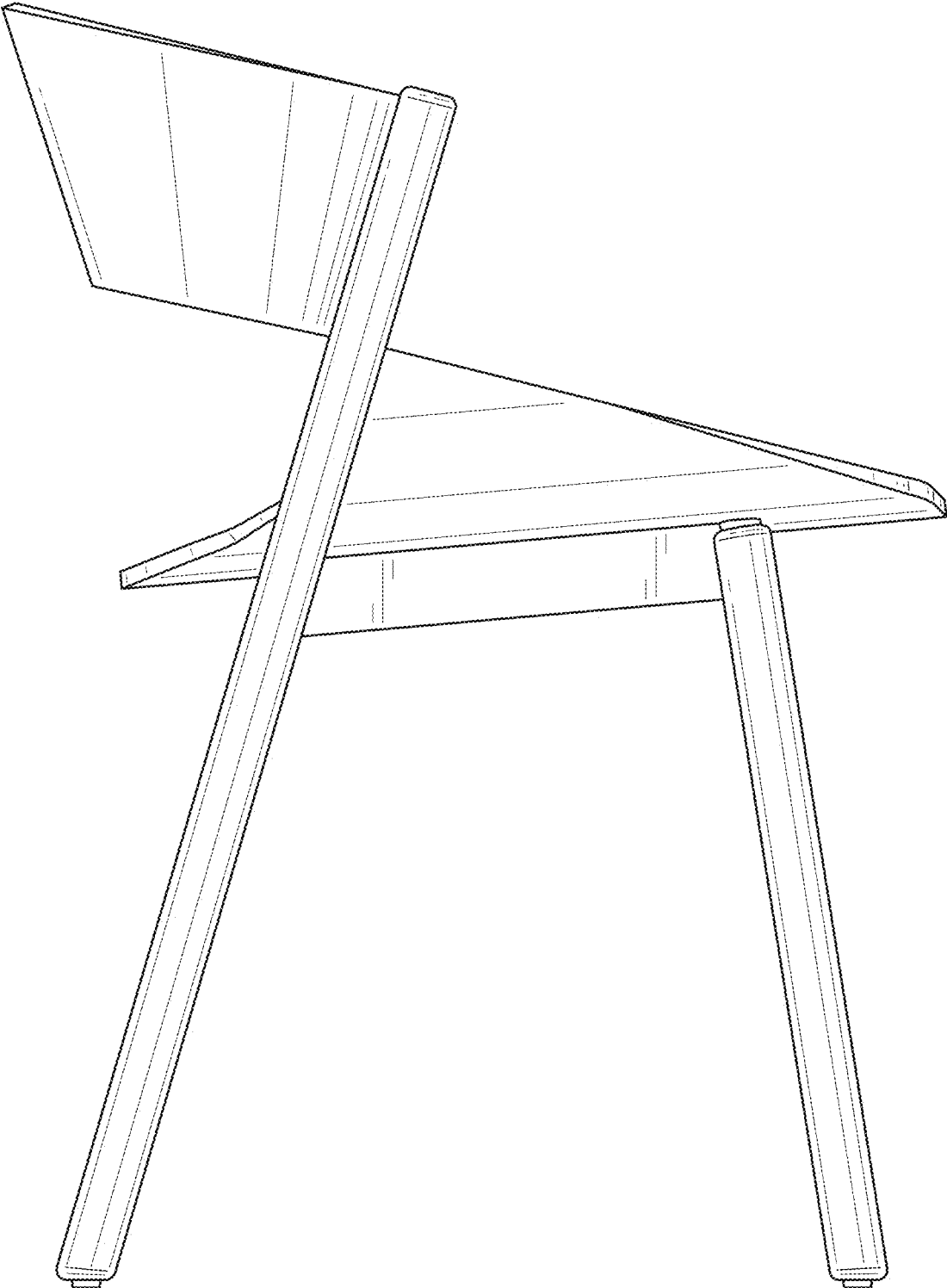


FIG. 4

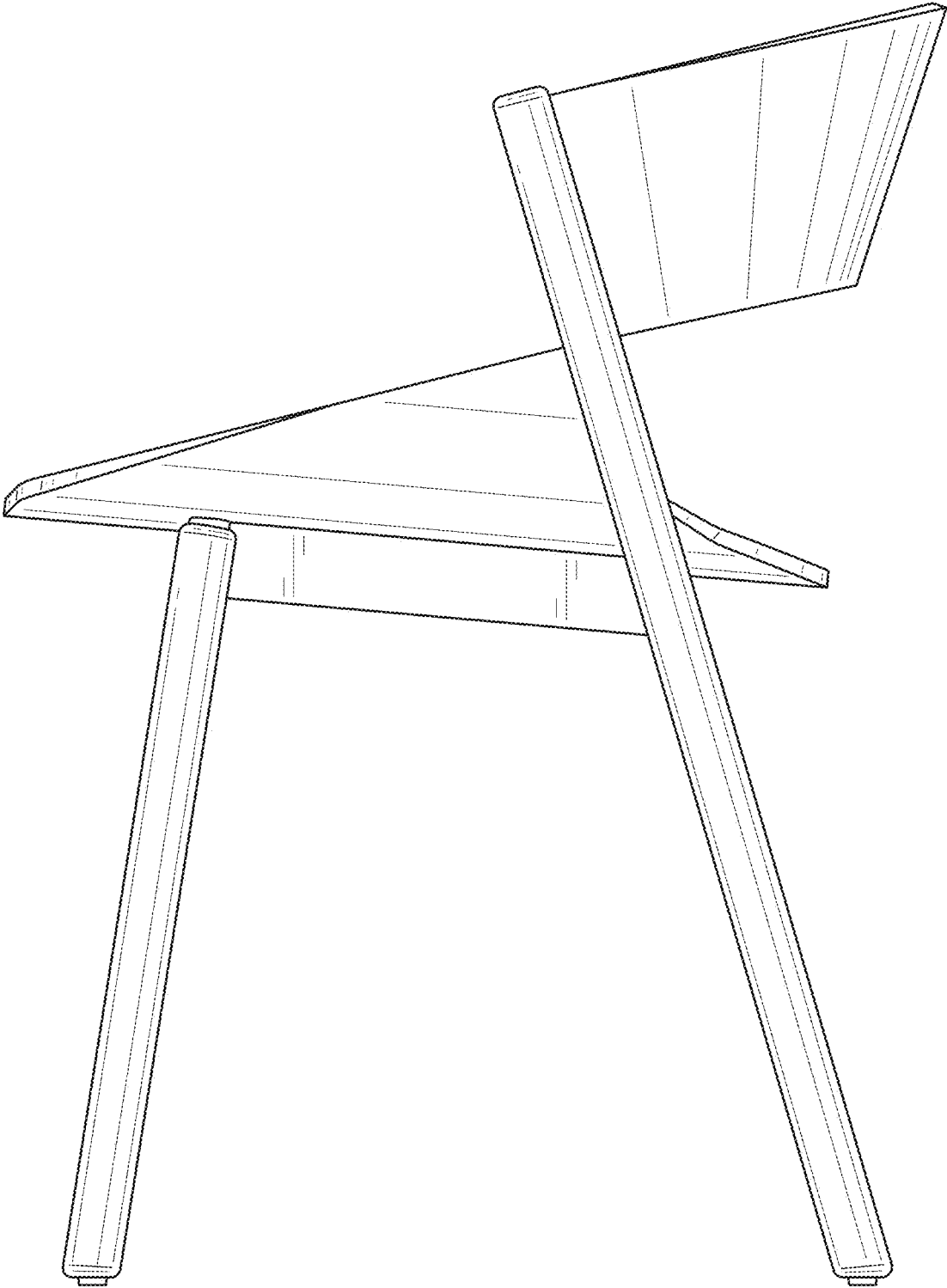


FIG. 5

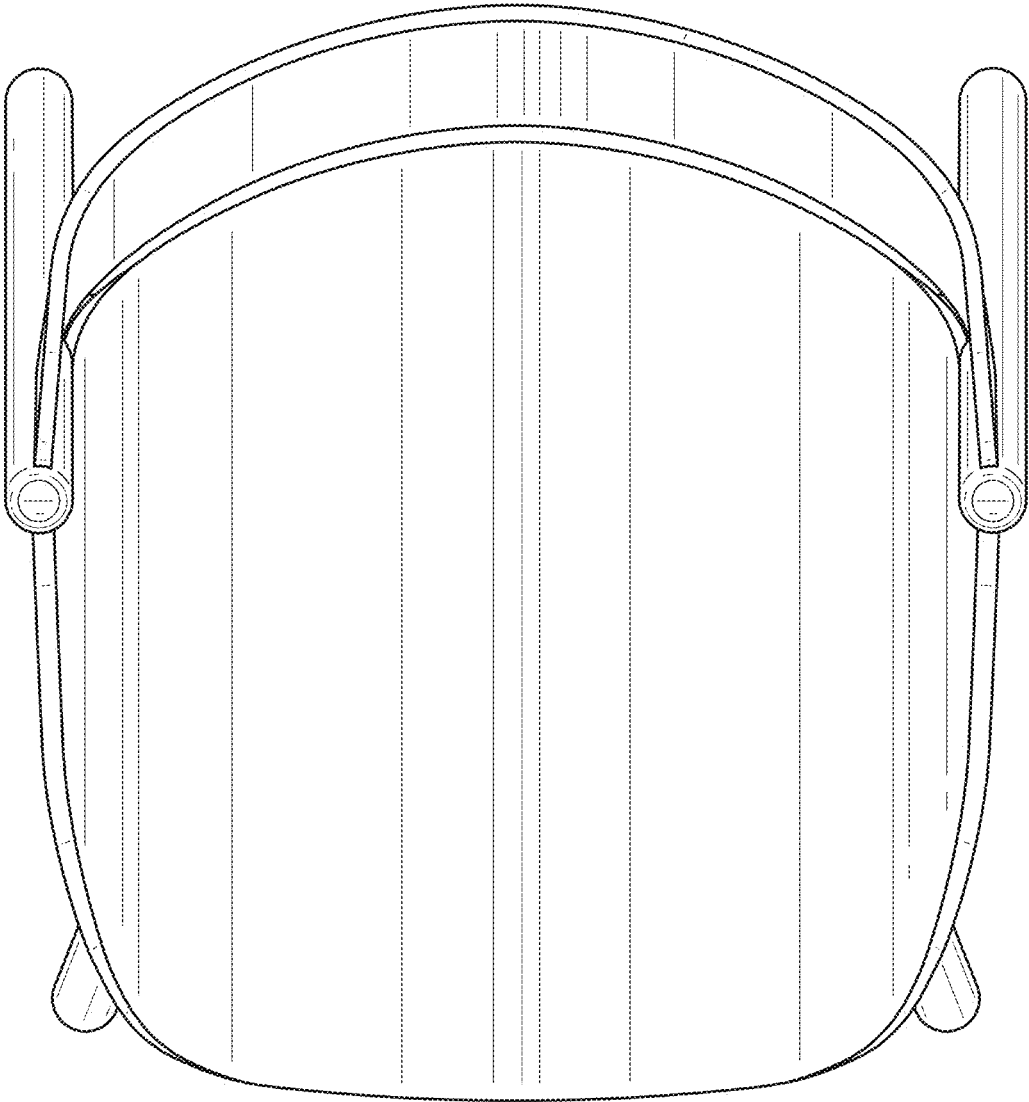


FIG. 6

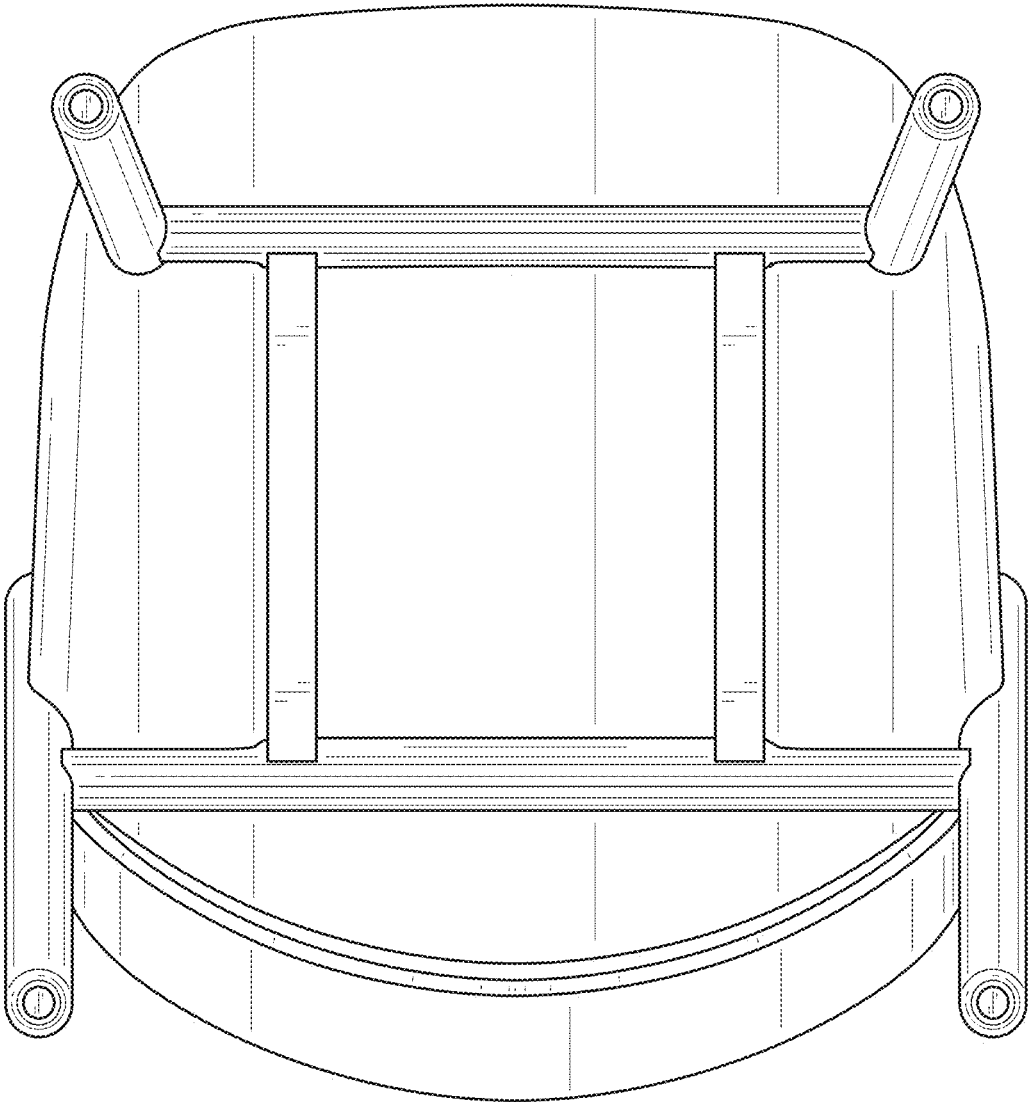


FIG. 7