



US0D1049923S

(12) **United States Design Patent** (10) **Patent No.:** **US D1,049,923 S**
Luo (45) **Date of Patent:** **** Nov. 5, 2024**

(54) **GOLF CART**

(71) Applicant: **Can Luo**, Guangdong (CN)

(72) Inventor: **Can Luo**, Guangdong (CN)

(**) Term: **15 Years**

(21) Appl. No.: **29/950,100**

(22) Filed: **Jul. 1, 2024**

(51) **LOC (14) Cl.** **12-02**

(52) **U.S. Cl.**
USPC **D12/16**

(58) **Field of Classification Search**

USPC D12/14, 16, 86, 90, 91, 92, 93, 107, 167,
D12/169; D21/424
CPC B62D 21/18; B62D 21/183; B62D 23/00;
B62D 25/00; B62D 25/02; B62D 25/08;
B62D 25/14; B62D 25/081; B62D
25/085; B62D 25/105; B62D 31/003;
B60L 2200/22

See application file for complete search history.

(56) **References Cited**

U.S. PATENT DOCUMENTS

D348,237 S	6/1994	Strodtman	
D498,704 S *	11/2004	Bonner	D12/16
D514,981 S *	2/2006	Andrews	D12/16
D603,754 S *	11/2009	Tuo	D12/16
D624,849 S *	10/2010	Ball	D12/16
D625,660 S *	10/2010	Houston	D12/16
D640,594 S *	6/2011	Zhang	D12/16
D640,595 S *	6/2011	Zhang	D12/16
D640,596 S *	6/2011	Zhang	D12/16
D646,199 S *	10/2011	Zhang	D12/16
D646,201 S *	10/2011	Zhang	D12/16
D646,604 S *	10/2011	Zhang	D12/16
8,387,734 B2 *	3/2013	Krosschell	B60N 2/38 296/64
D721,012 S *	1/2015	Zhang	D12/16
D746,174 S *	12/2015	Storms	D12/16
D762,141 S *	7/2016	Zhou	D12/16
D1,002,433 S *	10/2023	Li	D12/16

(Continued)

OTHER PUBLICATIONS

2024 Electric EV-Titan Xtreme AGM Maintenance Free Battery, Golf Carts Cypress Webpage[online], [Site Visit Aug. 21, 2024], URL: https://golfcartscypress.com/custom_golf_carts/2024-electric-ev-titan-xtreme-metallic-white-agm-maintenance-free-battery-4/ (Year: 2024).*

(Continued)

Primary Examiner — Darlington Ly

Assistant Examiner — Giang Hoang Tran

(74) *Attorney, Agent, or Firm* — Michael David Eisenberg

(57) **CLAIM**

The ornamental design for a golf cart as shown and described.

DESCRIPTION

FIG. 1 is a front, right and top perspective view of an golf cart, showing my design.

FIG. 2 is a rear, left and top perspective view thereof.

FIG. 3 is a front elevation view thereof.

FIG. 4 is a rear elevation view thereof.

FIG. 5 is a left side elevation view thereof.

FIG. 6 is a right side elevation view thereof.

FIG. 7 is a top plan view thereof.

FIG. 8 is a bottom plan view thereof.

FIG. 9 is an enlarged view of detail 9 in FIG. 1.

FIG. 10 is an enlarged view of detail 10 in FIG. 1.

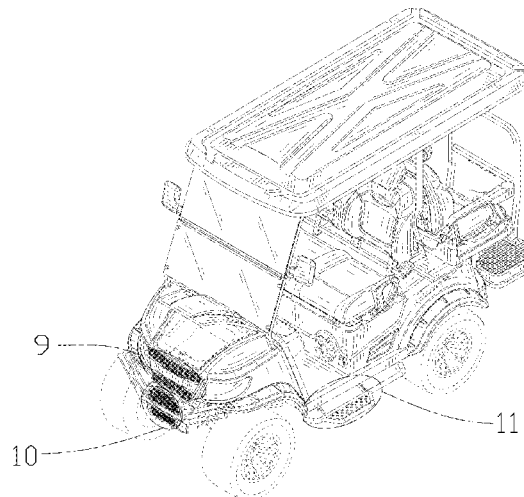
FIG. 11 is an enlarged view of detail 11 in FIG. 1.

FIG. 12 is an enlarged view of detail 12 in FIG. 2; and,

FIG. 13 is an enlarged view of detail 13 in FIG. 2.

The dashed broken lines depict portions of the golf cart that form no part of the claimed design. The dot-dash broken lines in FIGS. 1, 2, 9, 10, 11, 12 and 13 depict the boundaries of the enlargements and form no part of the claimed design.

1 Claim, 13 Drawing Sheets



(56)

References Cited

U.S. PATENT DOCUMENTS

D1,015,939 S * 2/2024 Xu D12/16
D1,027,723 S * 5/2024 Luo D12/16
D1,031,515 S * 6/2024 Luo D12/16

OTHER PUBLICATIONS

Ruike Edge 2+2 Electric Golf Cart, Made-In-China Webpage[online], [Site Visit Aug. 21, 2024], URL: https://gdruike.en.made-in-china.com/product/VQvpOmGuaLrZ/China-4-Seater-Electric-Cart-Golf-Carts-off-Road-with-Bump-Custom-Body-Color-Seat-Color-Lifted.html?pv_id=115qpfe9h6d7&faw_id=1i5qpfjgp35 (Year: 2024).*

Yangzhou Whanlong J-K2SZ Electric Golf Cart, Made-In-China Webpage[online], [Site Visit Aug. 21, 2024], URL: https://yzwhl88.en.made-in-china.com/product/DOKTZnbdiycN/China-Fashion-and-Energy-Saving-Electric-Golf-Buggy-4-Seater-Golf-Cart-with-Lithium-Battery.html?pv_id=1i5qlumlc2d3&faw_id=1i5qlv4rdb78 (Year: 2024).*

2024 MadJax X Series Gen 2 Test Drive and Review, Nov. 11, 2023, YouTube Webpage[online], [Site Visit Aug. 21, 2024], URL: https://www.youtube.com/watch?v=JKy10nyY_0M (Year: 2023).*

* cited by examiner

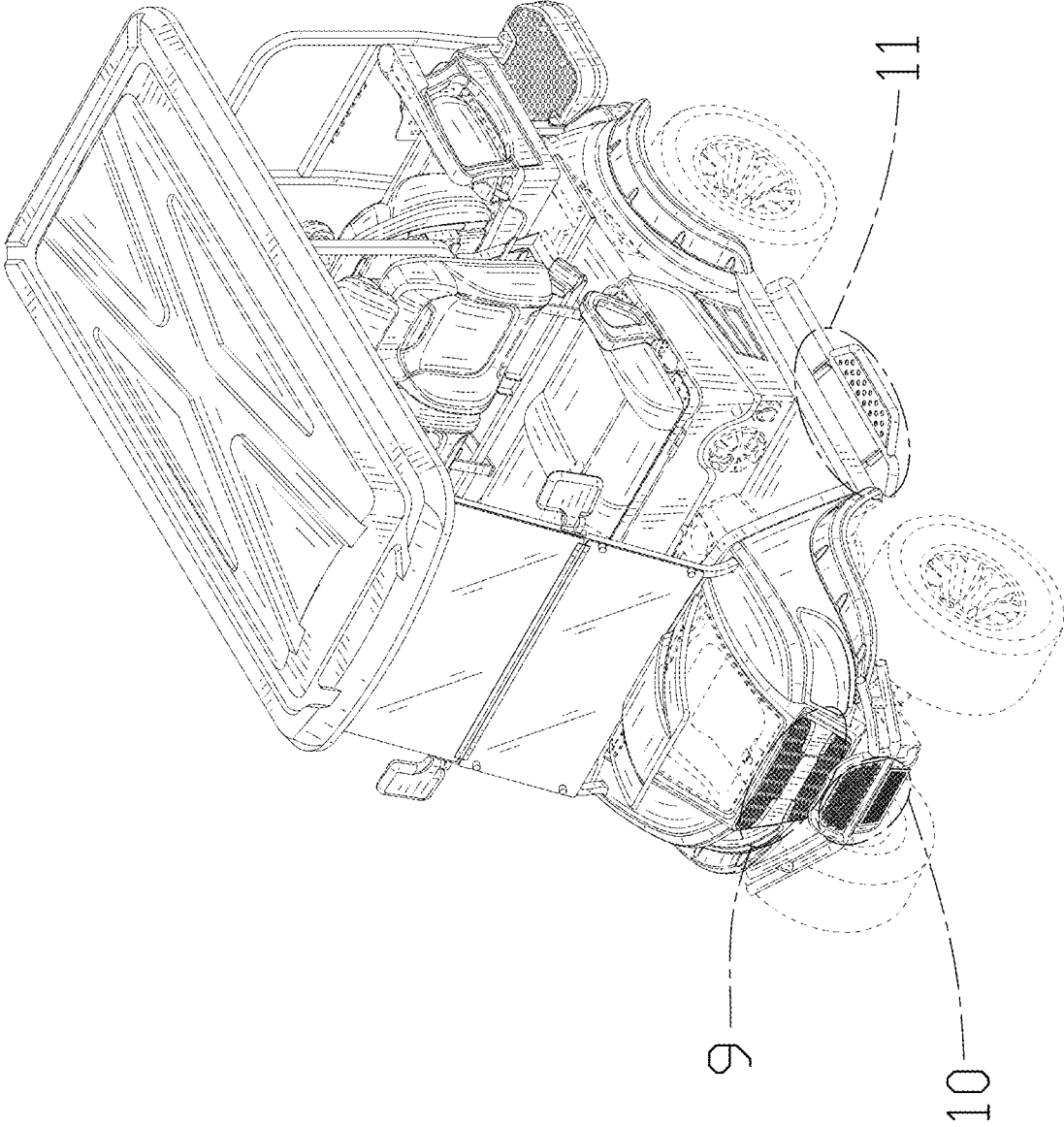


FIG. 1

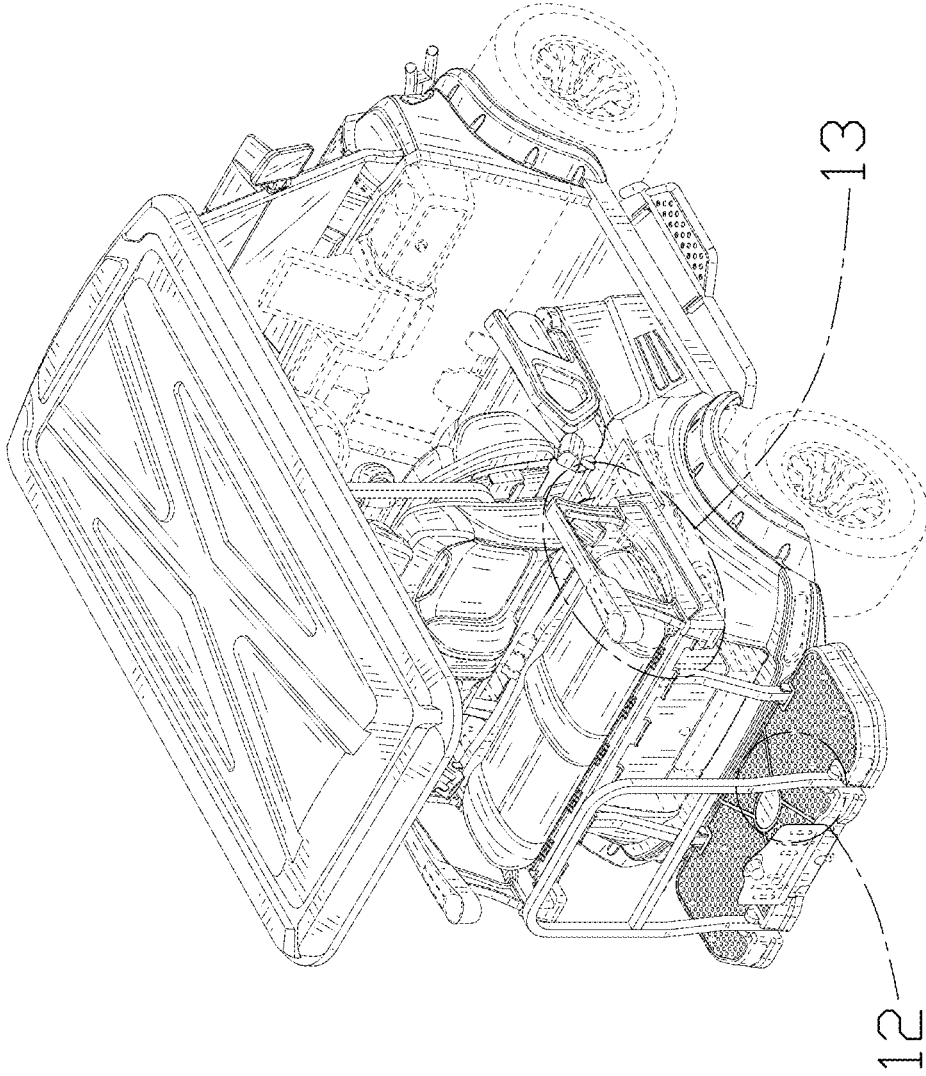


FIG. 2

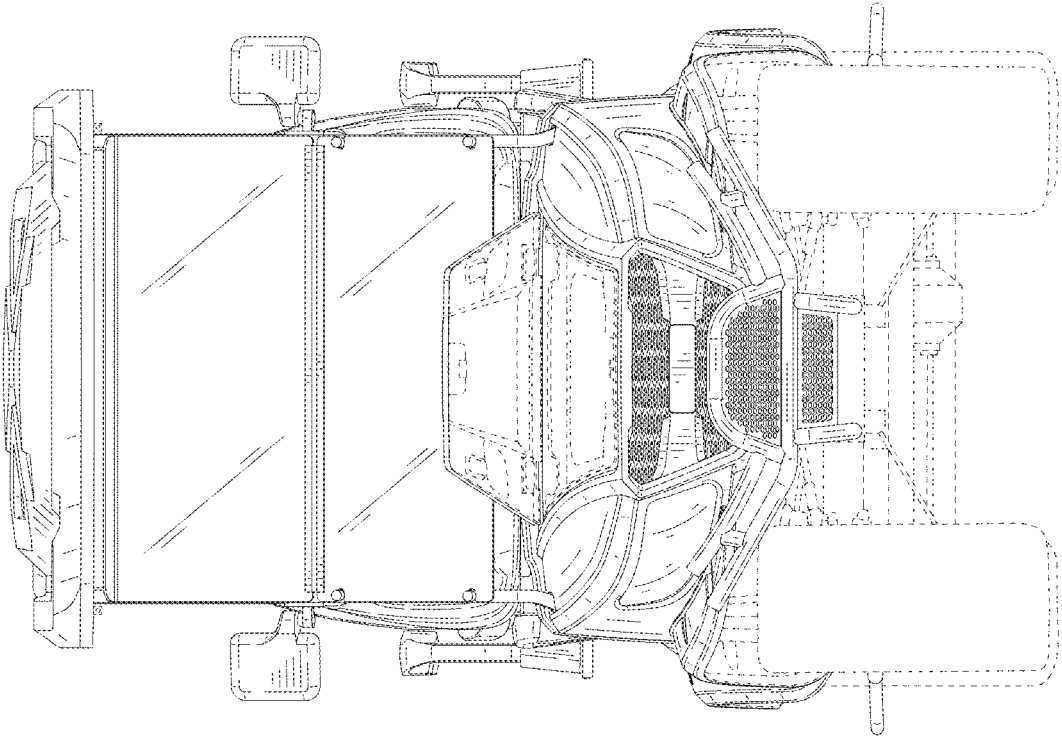


FIG. 3

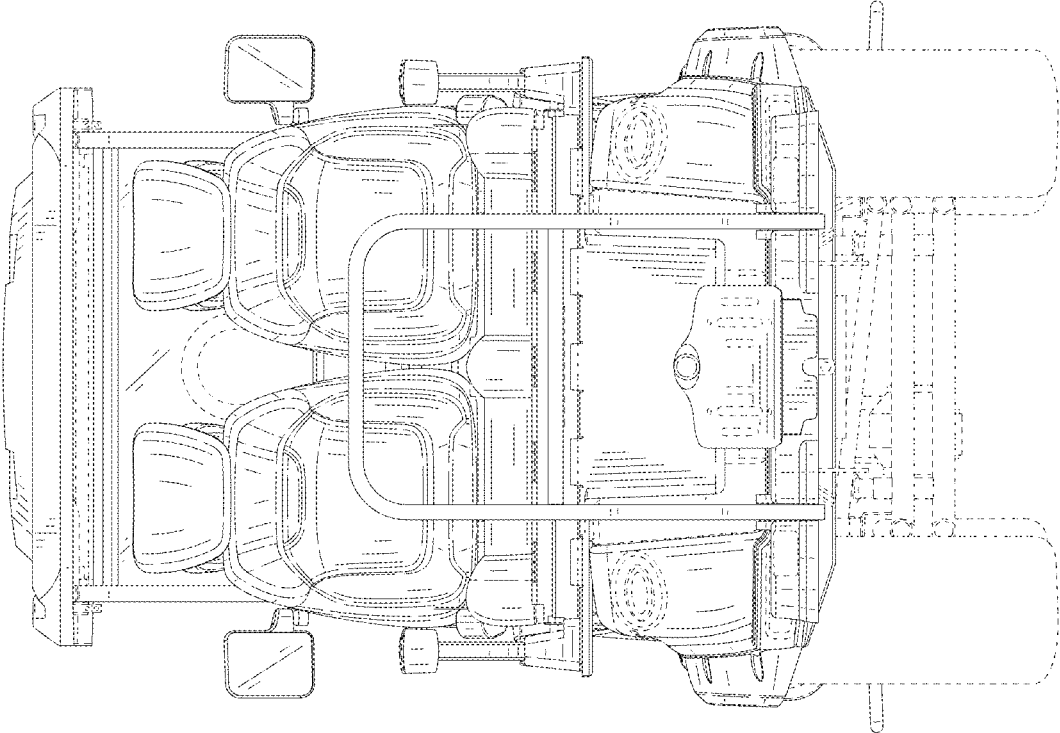


FIG. 4

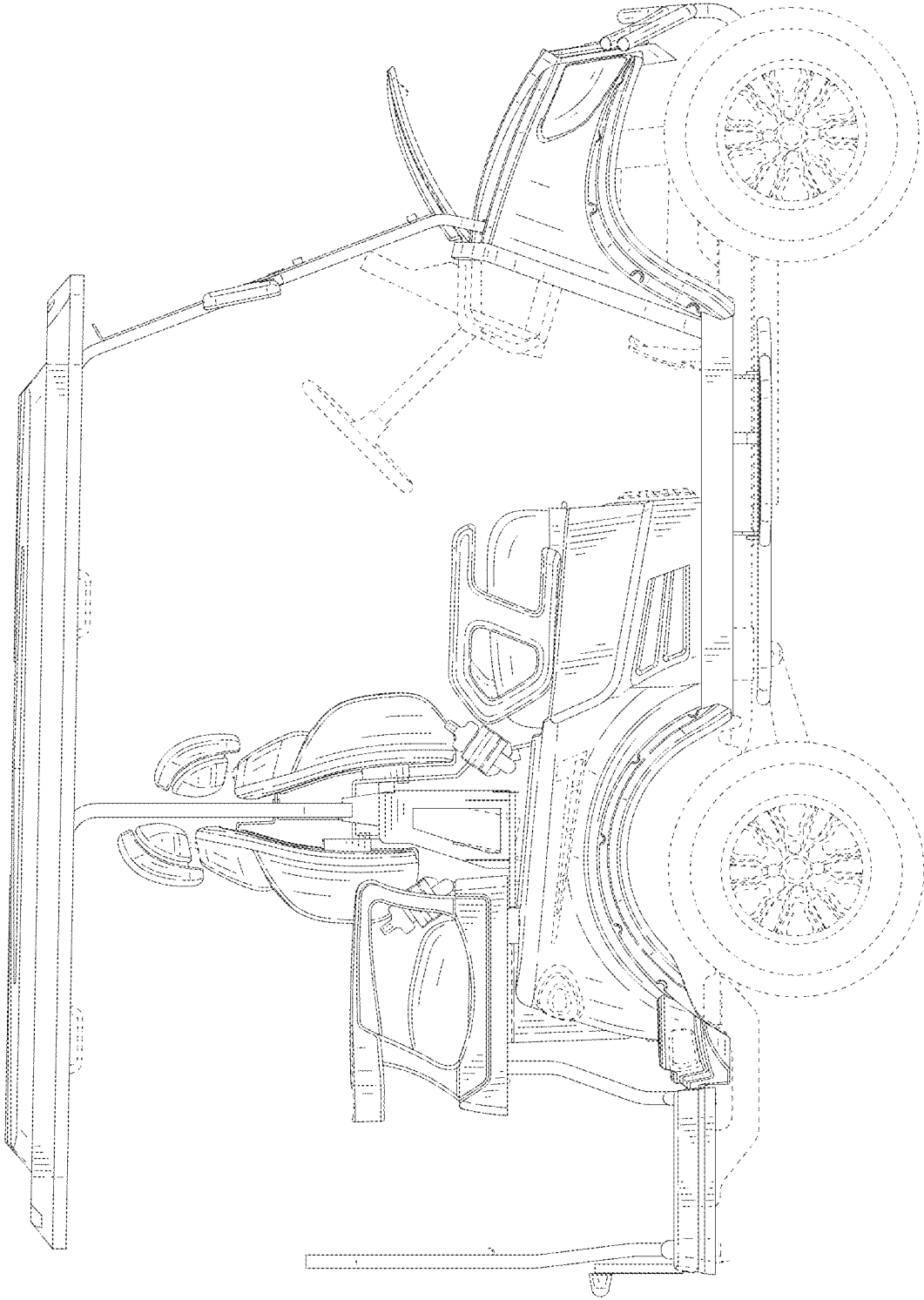


FIG. 5

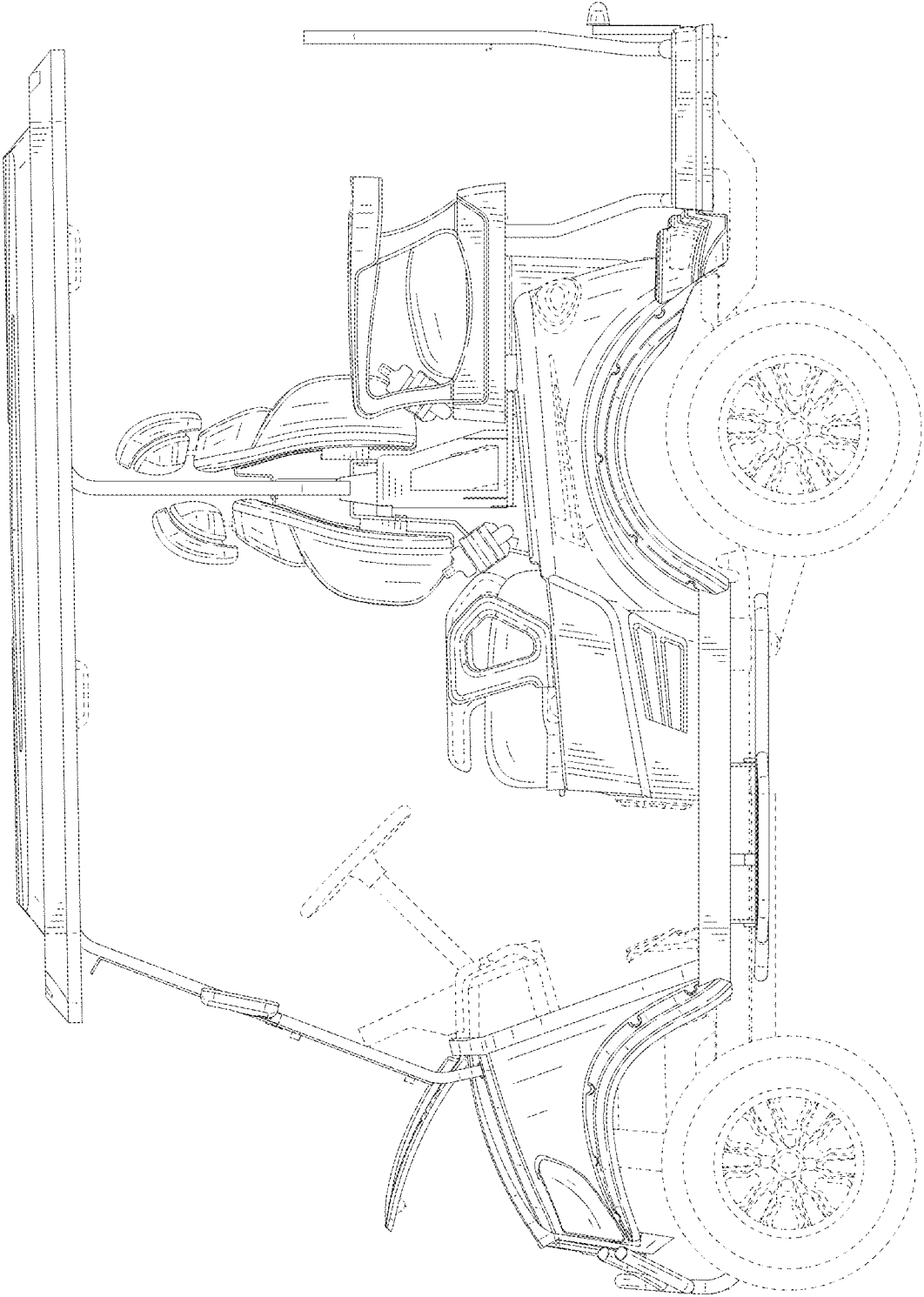


FIG. 6

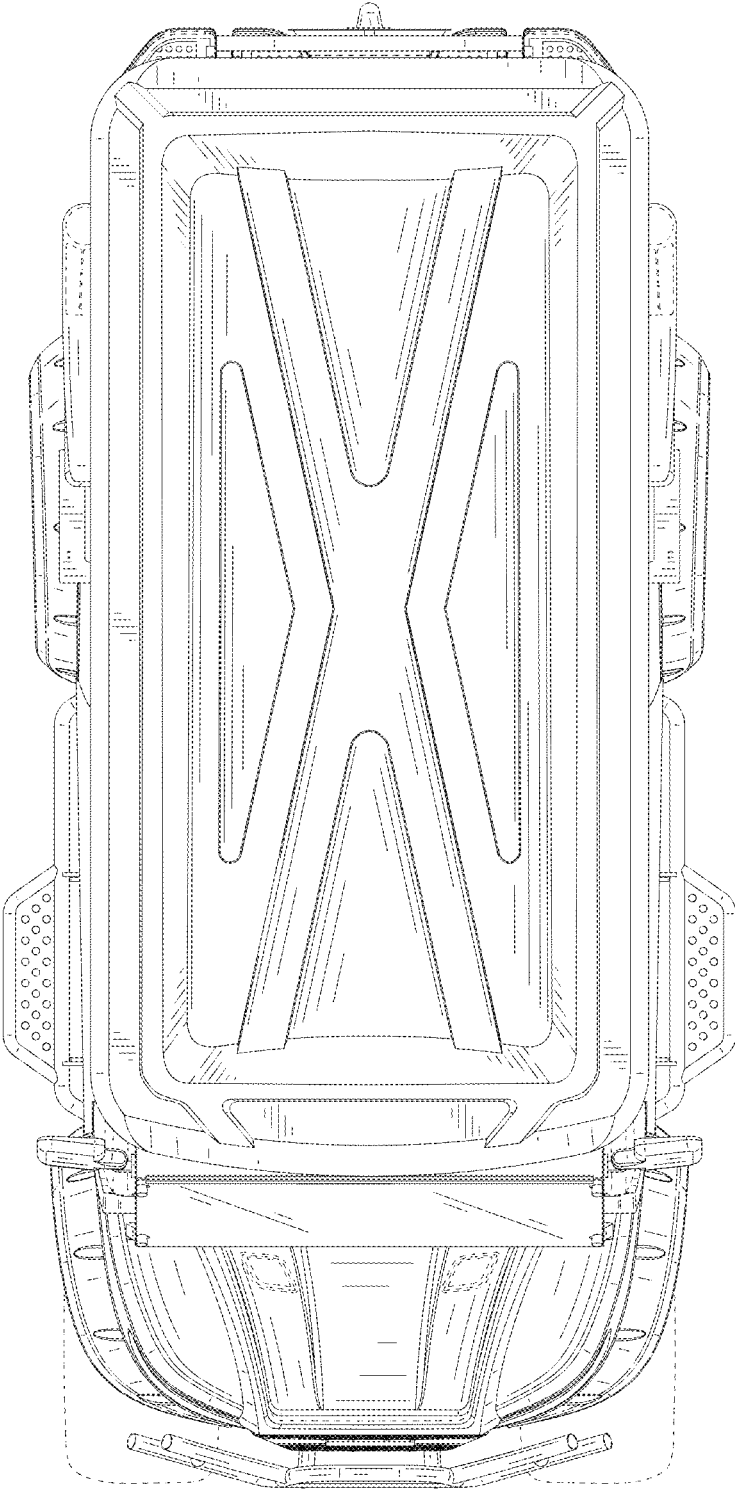


FIG. 7

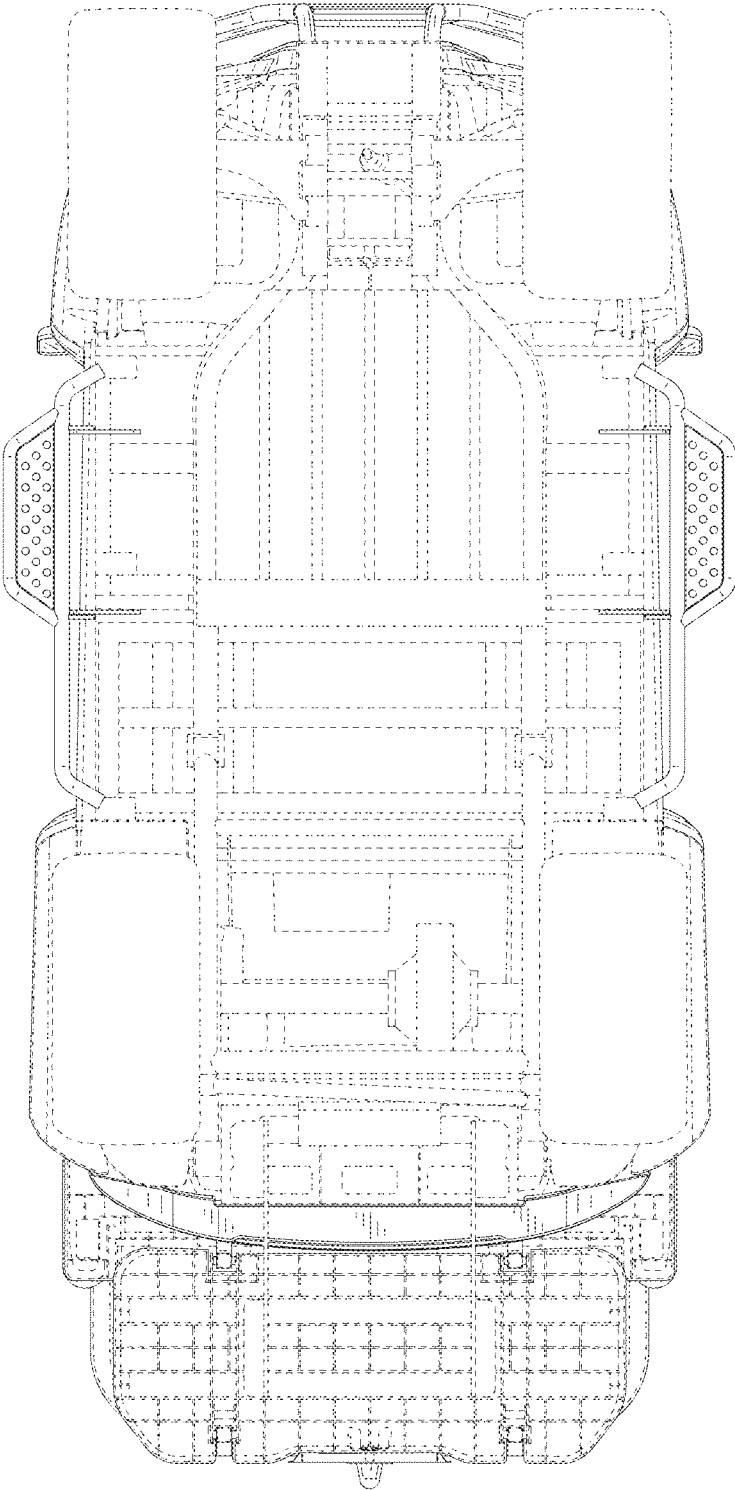


FIG. 8

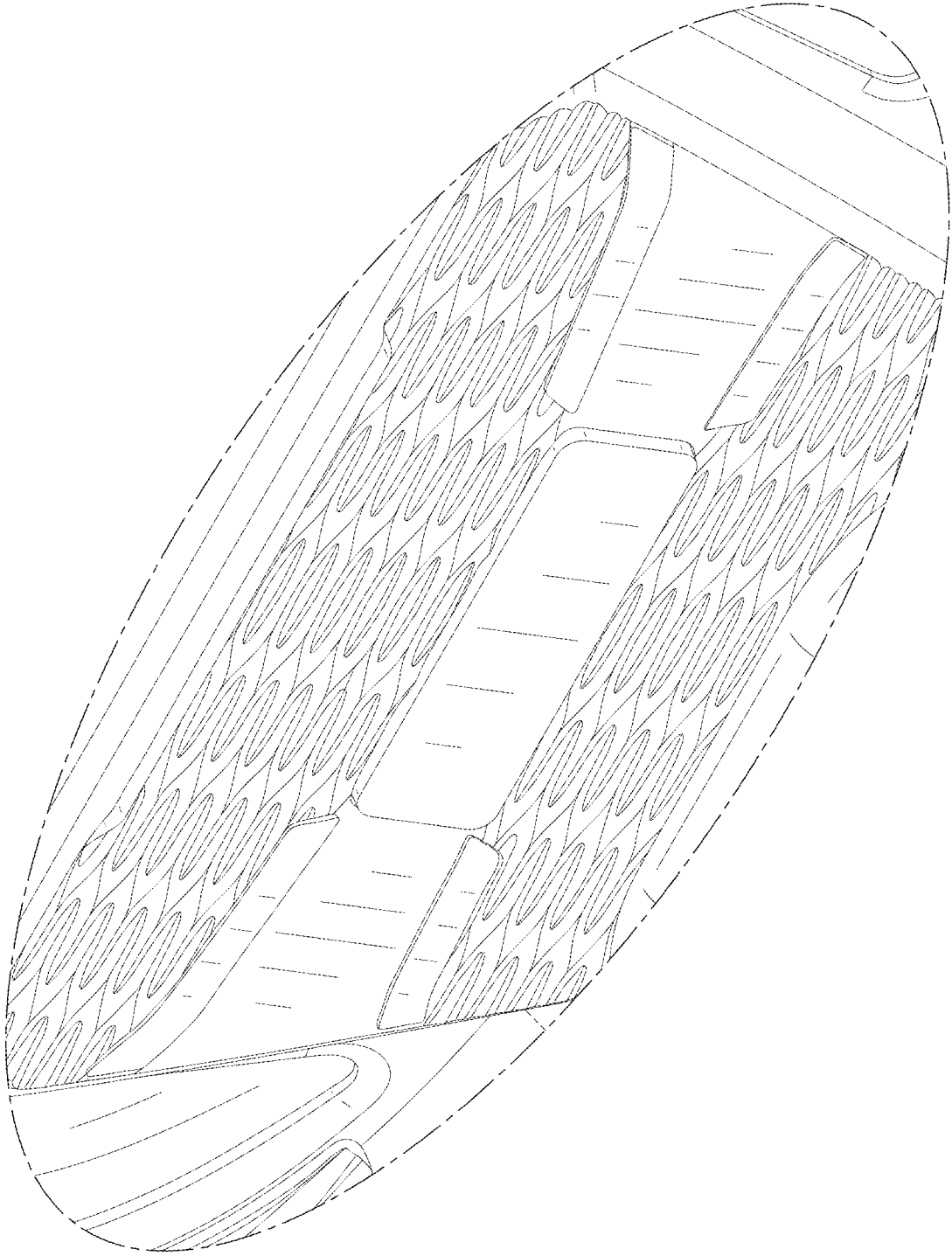


FIG. 9

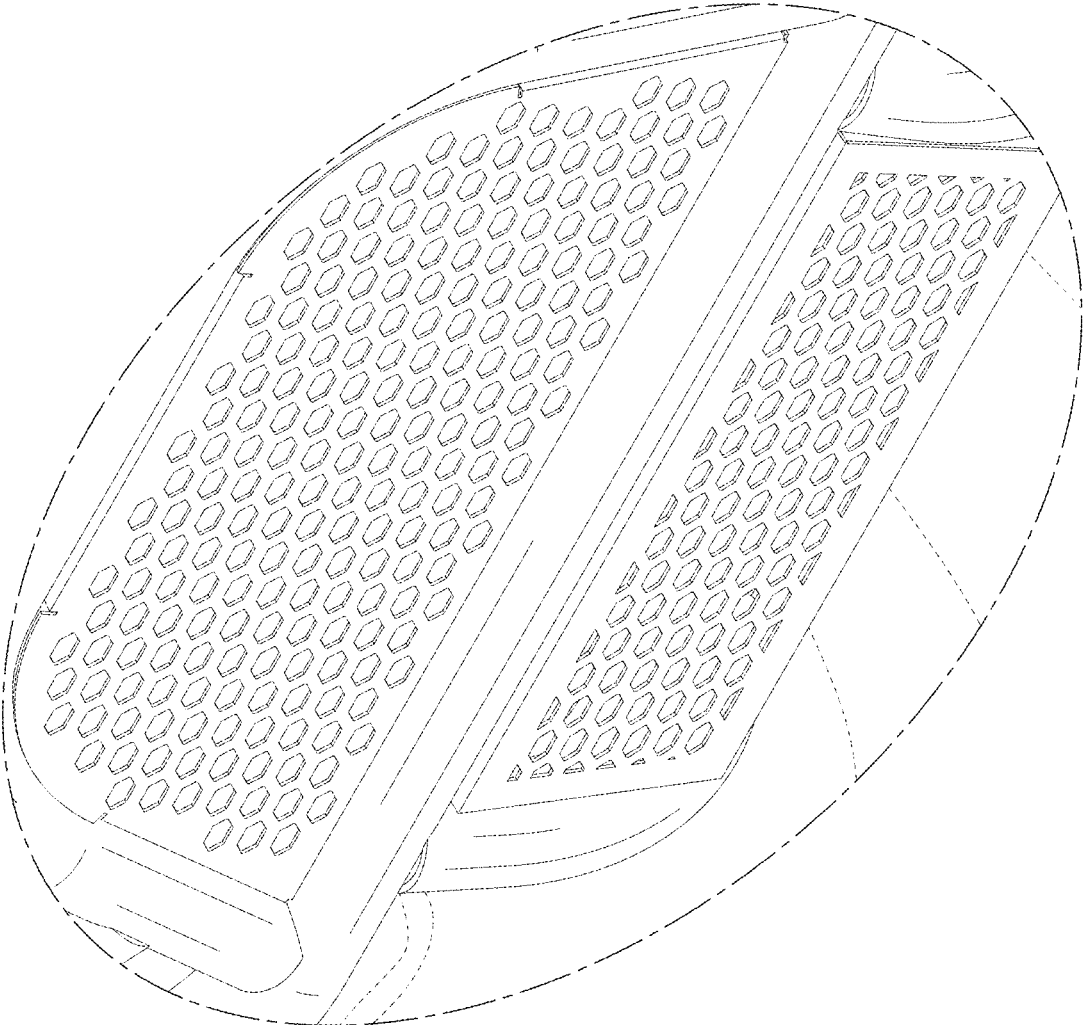


FIG. 10

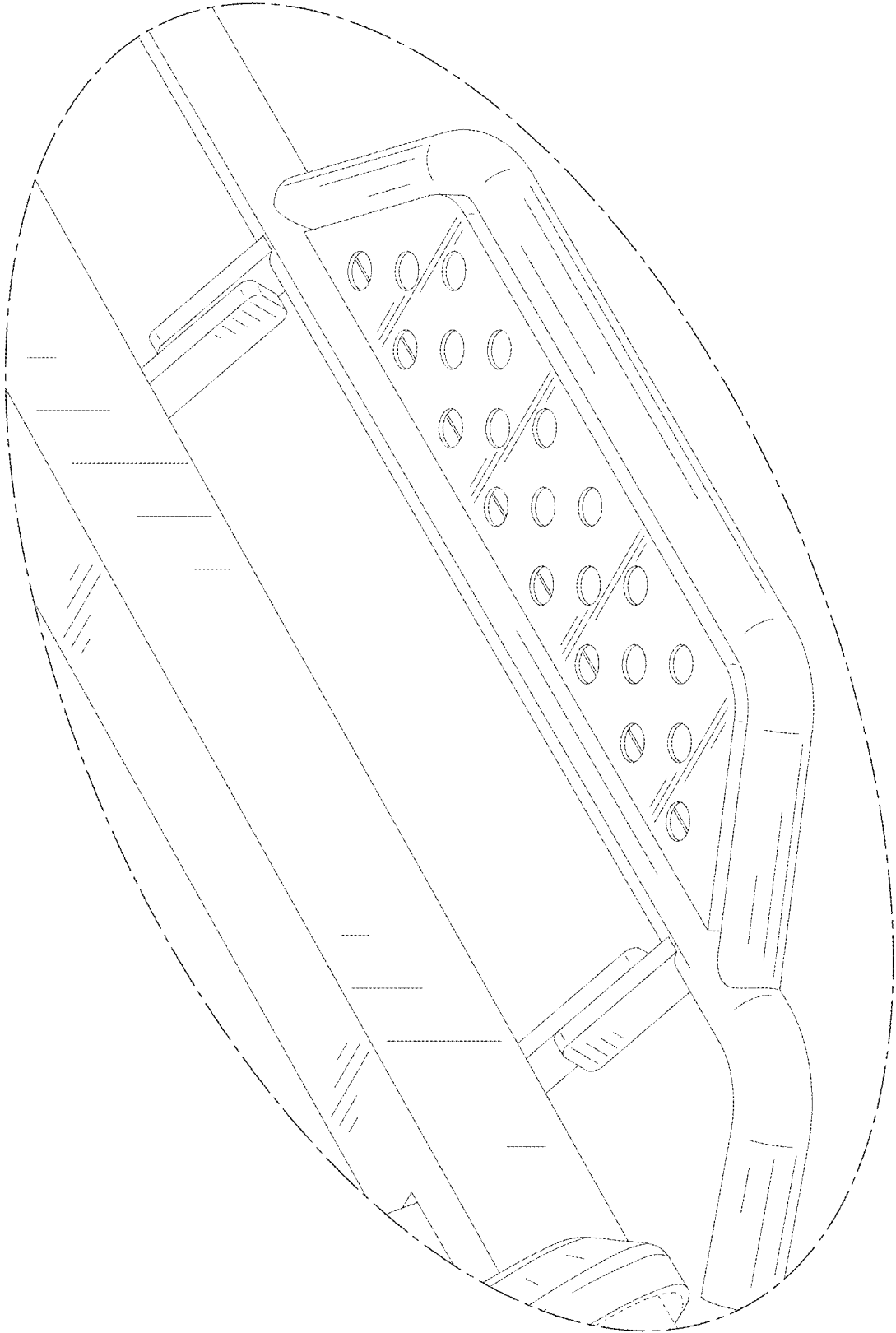


FIG. 11

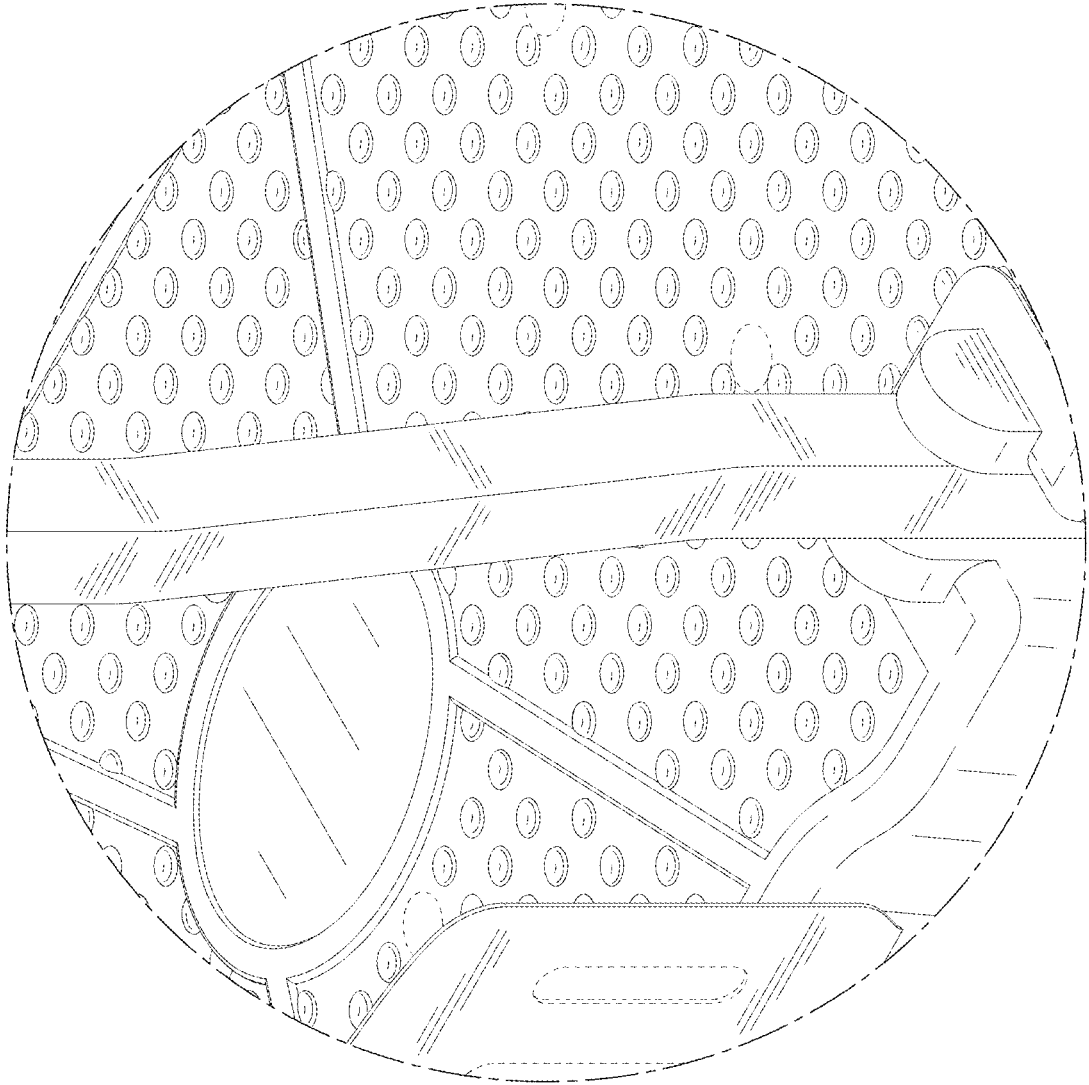


FIG. 12

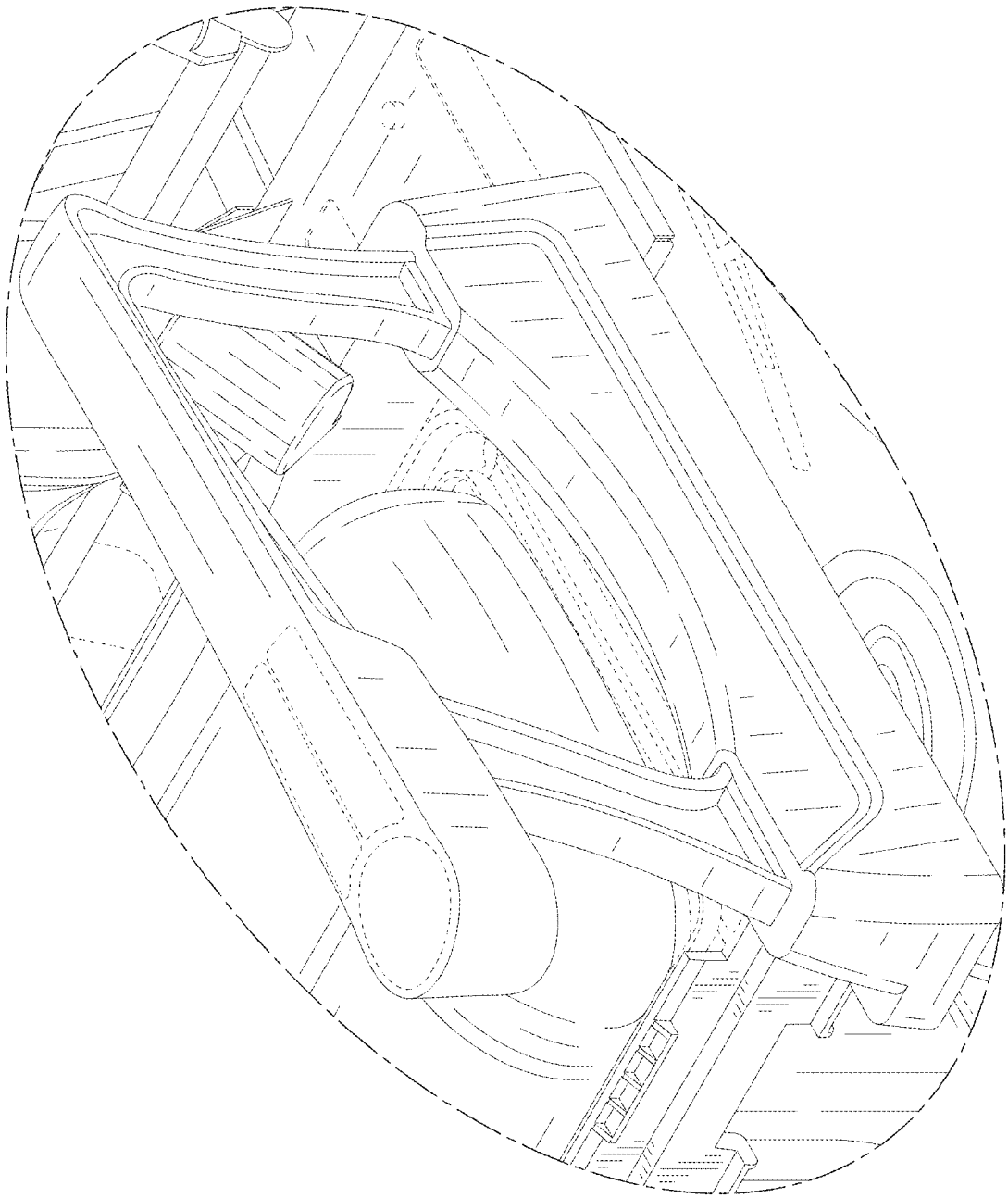


FIG. 13