



(12) **United States Design Patent**  
**Amiot**

(10) **Patent No.:** **US D702,359 S**  
(45) **Date of Patent:** **\*\* Apr. 8, 2014**

- (54) **ORTHOPEDIC BRACE**
- (71) Applicant: **Robby A. Amiot**, Brookfield, WI (US)
- (72) Inventor: **Robby A. Amiot**, Brookfield, WI (US)
- (73) Assignee: **BioMedical Enterprises, Inc.**, San Antonio, TX (US)
- (\*\*) Term: **14 Years**
- (21) Appl. No.: **29/442,953**

*Primary Examiner* — Eric Goodman  
*Assistant Examiner* — Jennifer Watkins  
 (74) *Attorney, Agent, or Firm* — Christopher L. Makay

- (22) Filed: **Jun. 19, 2013**
- (51) **LOC (10) Cl.** ..... **24-01**
- (52) **U.S. Cl.**  
USPC ..... **D24/192**
- (58) **Field of Classification Search**  
USPC ..... D24/190, 192; D29/120.1, 121.2, 122;  
602/5, 8, 9, 10, 11, 23–25, 27–30,  
602/60–62, 65, 66  
See application file for complete search history.

(57) **CLAIM**  
 The ornamental design for an orthopedic brace, as shown and described.

**DESCRIPTION**

FIG. 1 is a right side perspective view illustrating an open position of the orthopedic brace;  
 FIG. 2 is a left side perspective view illustrating the open position of thereof;  
 FIG. 3 is a right side perspective view illustrating a closed position of the orthopedic brace;  
 FIG. 4 is a top view illustrating the closed position thereof;  
 FIG. 5 is a bottom view illustrating the closed position thereof;  
 FIG. 6 is a front view illustrating the closed position thereof;  
 FIG. 7 is a rear view illustrating the closed position thereof;  
 FIG. 8 is a left side view illustrating the closed position thereof;  
 FIG. 9 is a right side view illustrating the closed position thereof;  
 FIG. 10 is a right side perspective view illustrating the orthopedic brace secured in its closed position about a foot of a user; and,  
 FIG. 11 is a right side view illustrating the orthopedic brace secured in its closed position about a foot of a user.  
 The broken line showing is included for the purpose of illustrating within the orthopedic brace a foot that forms no part of the claimed design.

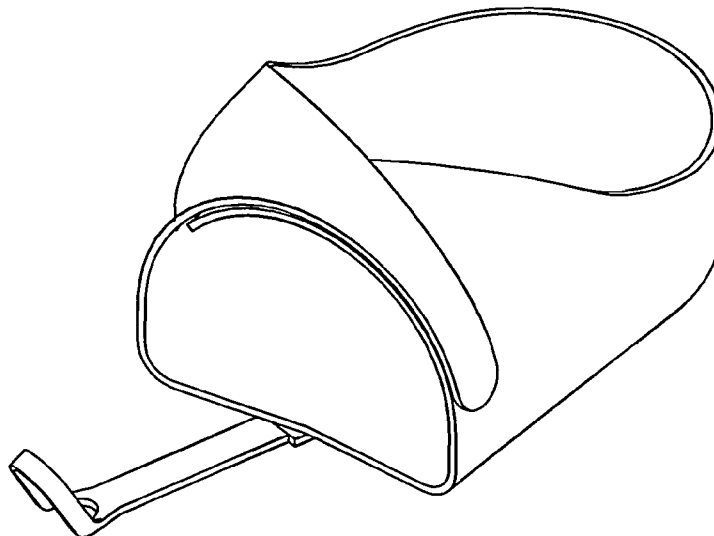
(56) **References Cited**

U.S. PATENT DOCUMENTS

2,847,991	A *	8/1958	Andrews	602/28
4,646,726	A *	3/1987	Westin et al.	602/27
D338,066	S *	8/1993	Baron	D24/192
D373,194	S *	8/1996	Grifka	D24/192
5,593,455	A *	1/1997	Phillips	623/47
D391,640	S *	3/1998	Oviedo, Jr.	D24/192
D411,302	S *	6/1999	Rowell	D24/192
5,944,678	A *	8/1999	Hubbard	602/27
6,689,081	B2 *	2/2004	Bowman	602/27
7,018,352	B2 *	3/2006	Pressman et al.	602/27
D673,280	S *	12/2012	Einarsson	D24/192
D682,434	S *	5/2013	Heyd et al.	D24/192
8,465,445	B2 *	6/2013	George	602/23

\* cited by examiner

**1 Claim, 6 Drawing Sheets**



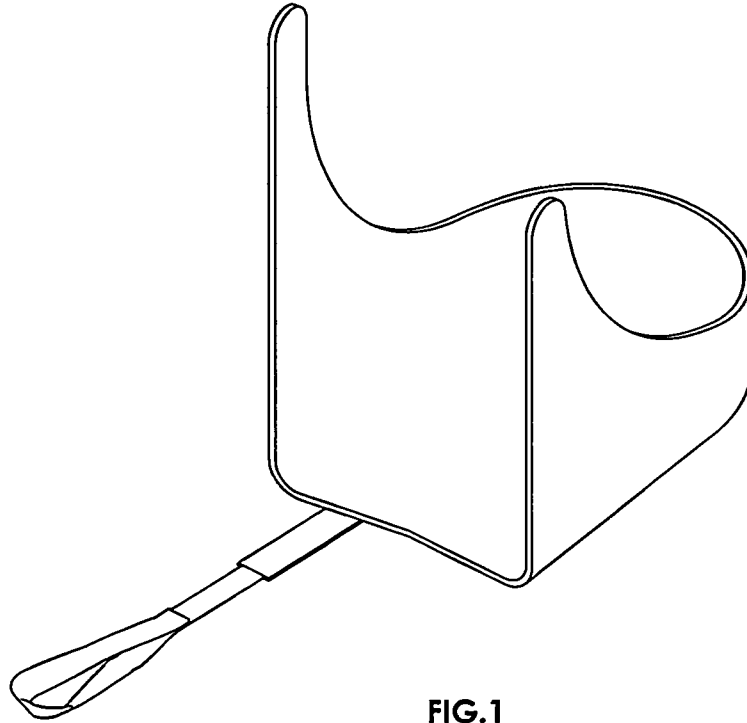


FIG. 1

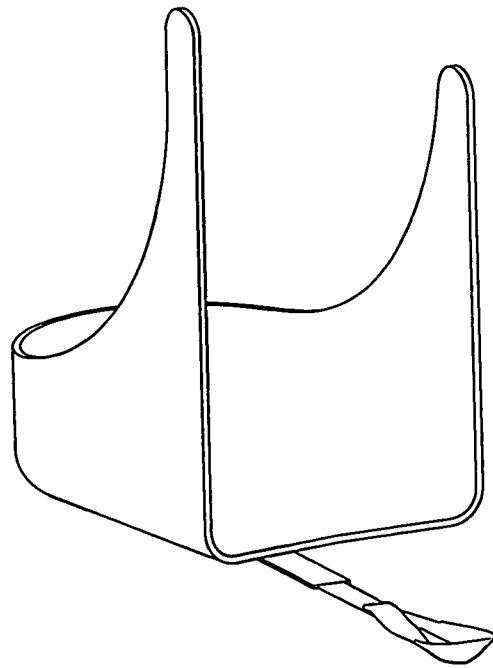


FIG. 2

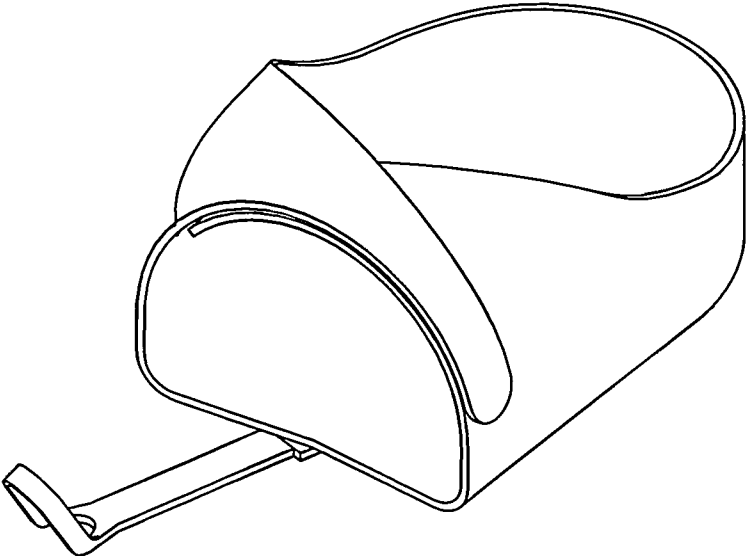


FIG. 3

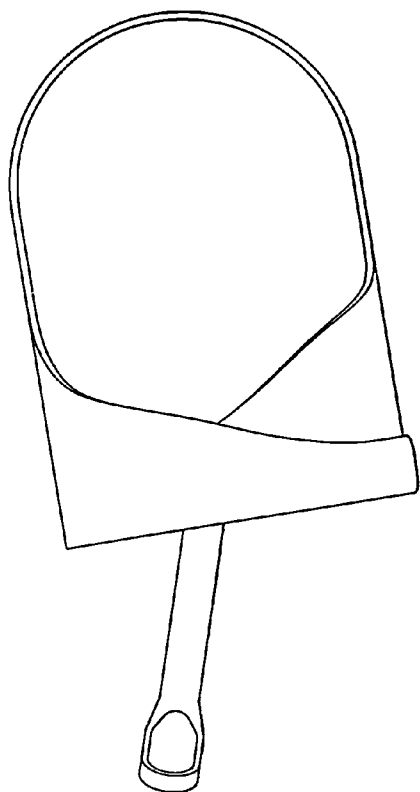


FIG. 4

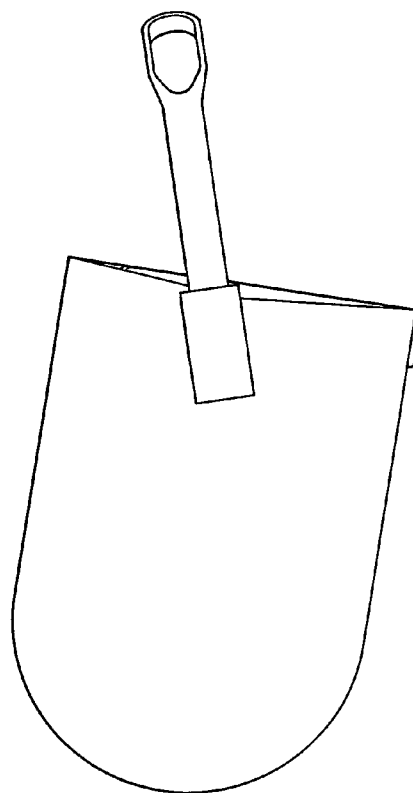


FIG. 5

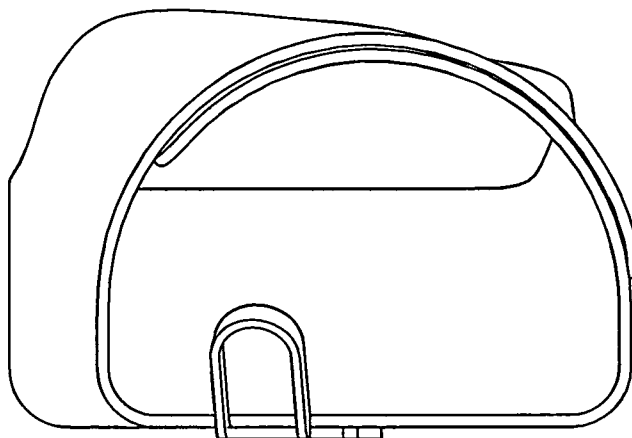


FIG. 6

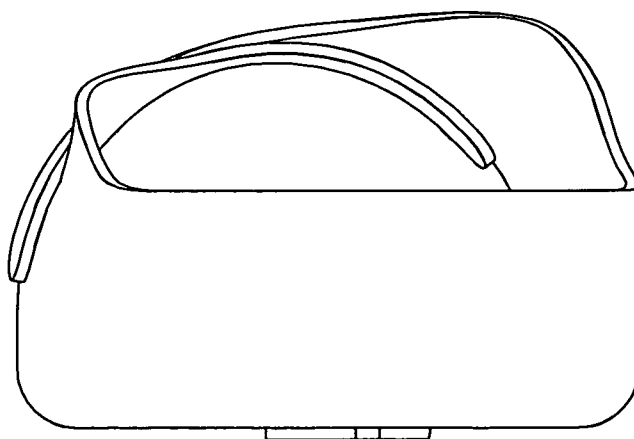


FIG. 7

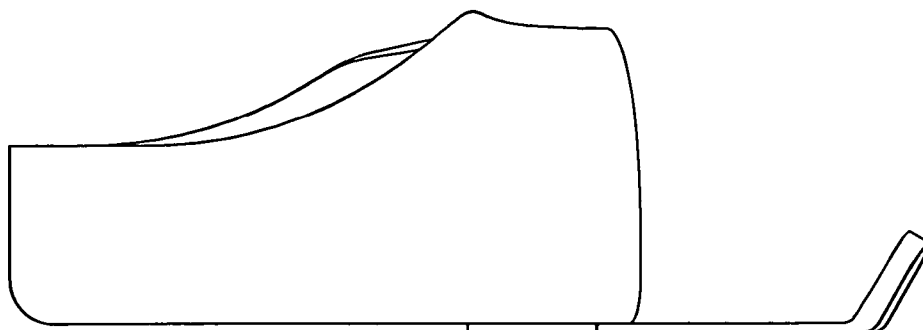


FIG. 8

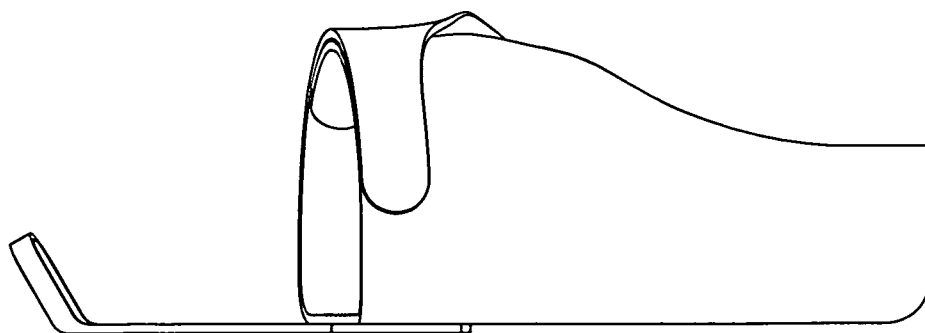


FIG. 9

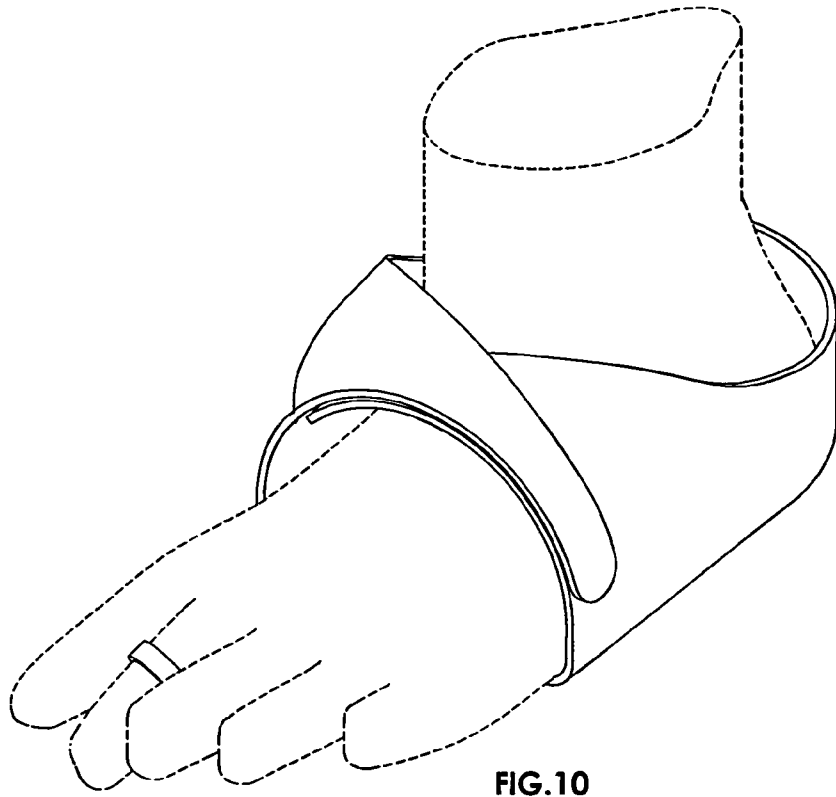


FIG. 10

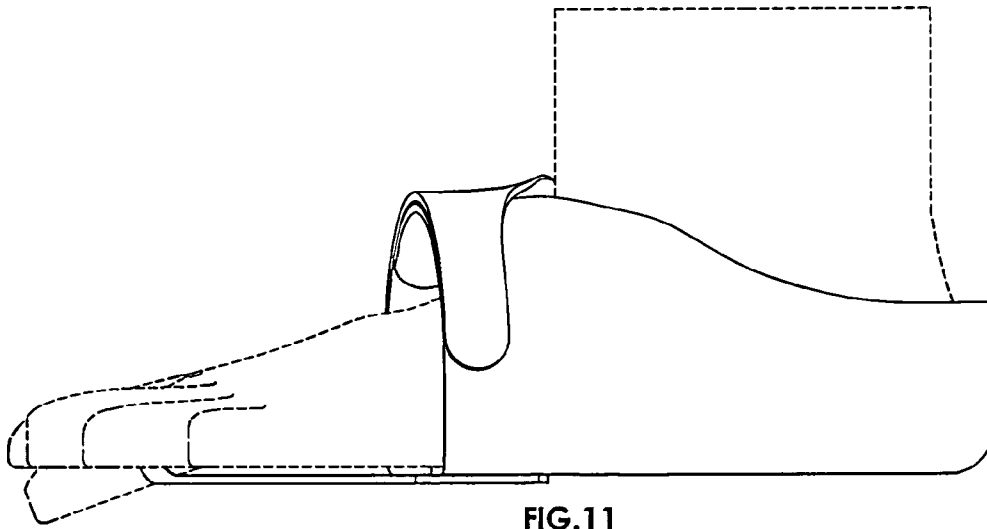


FIG. 11