



US00D503502S

(12) **United States Design Patent**
Lai

(10) **Patent No.:** **US D503,502 S**

(45) **Date of Patent:** **** Mar. 29, 2005**

(54) **TRASH CAN**

(76) Inventor: **Ming-Hsiao Lai**, No. 8, Kung Chi 2
Lane Ta Tsuen Hsiang, Chang-Hua
Hsien (TW)

(**) Term: **14 Years**

(21) Appl. No.: **29/192,456**

(22) Filed: **Oct. 24, 2003**

(51) **LOC (7) Cl.** **09-09**

(52) **U.S. Cl.** **D34/9**

(58) **Field of Search** D34/1, 5, 6, 7,
D34/8, 9, 10, 11; 220/908-911, 262-264

(56) **References Cited**

U.S. PATENT DOCUMENTS

1,714,332 A	*	5/1929	Ullrich	220/263
1,966,323 A	*	7/1934	Von Elm	220/263
D108,642 S	*	3/1938	Geibel	D34/9
D435,951 S	*	1/2001	Yang et al.	D34/9
D447,611 S	*	9/2001	Lin	D34/9
D453,870 S	*	2/2002	Lin	D34/9
D454,239 S	*	3/2002	Lin	D34/9

D466,265 S	*	11/2002	Lin	D34/9
6,626,316 B2	*	9/2003	Yang	220/263
D482,832 S	*	11/2003	Lin	D34/9
D482,833 S	*	11/2003	Lin	D34/9
D485,957 S	*	1/2004	Brand	D34/9
D486,284 S	*	2/2004	Brand	D34/9

* cited by examiner

Primary Examiner—Cynthia E. Ramirez

(74) *Attorney, Agent, or Firm*—Harrison & Egbert

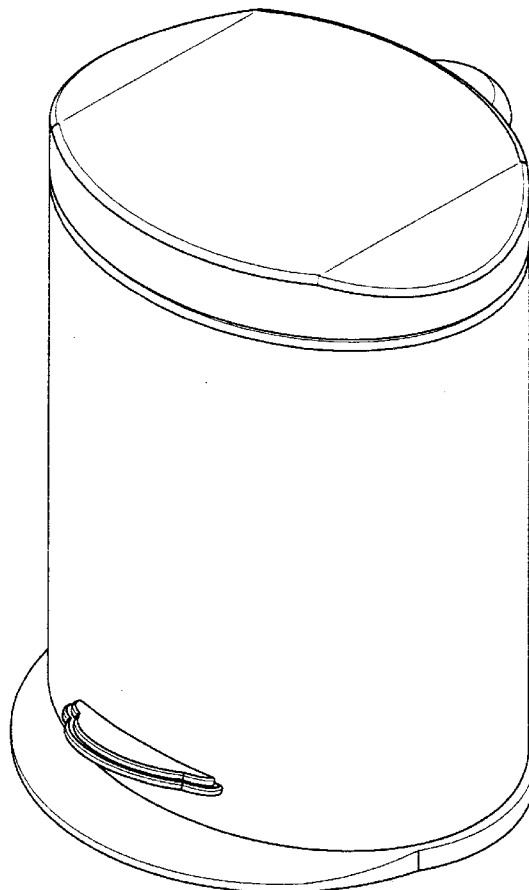
(57) **CLAIM**

I claim the ornamental design for a trash can, as shown and described.

DESCRIPTION

FIG. 1 is an upper perspective view of the trash can showing my design;
FIG. 2 is a front view thereof;
FIG. 3 is a back view thereof;
FIG. 4 is a side view thereof;
FIG. 5 is an opposite side view thereof; and,
FIG. 6 is a top plan view thereof.

1 Claim, 4 Drawing Sheets



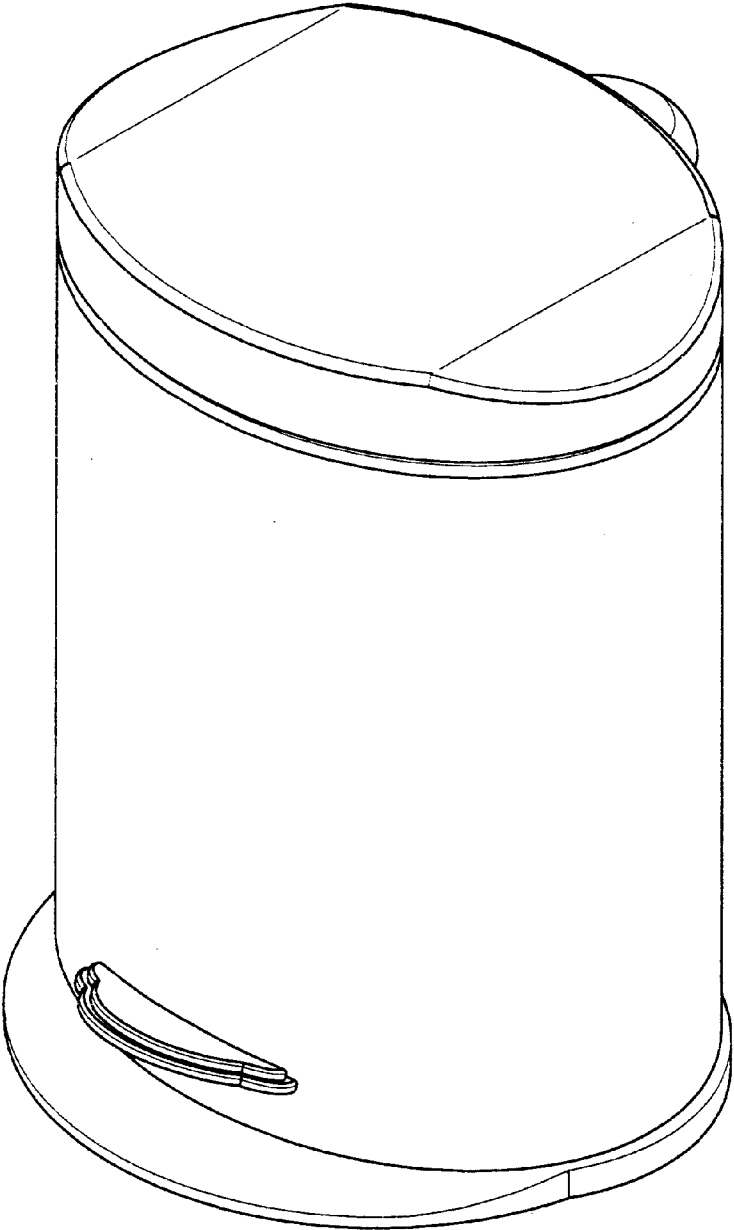


FIG.1

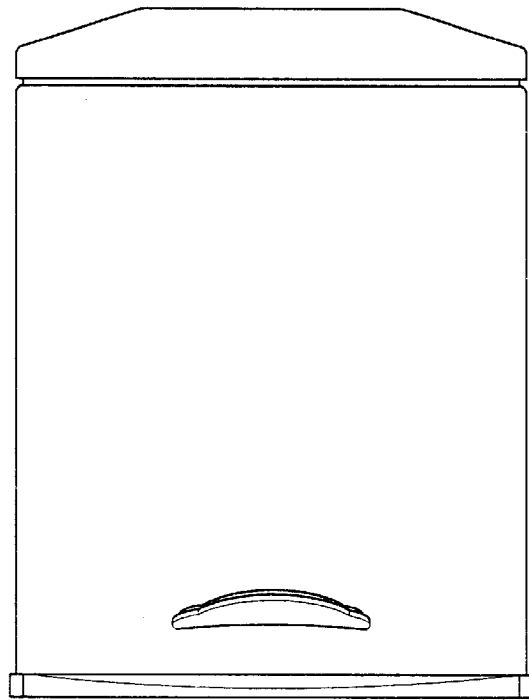


FIG. 2

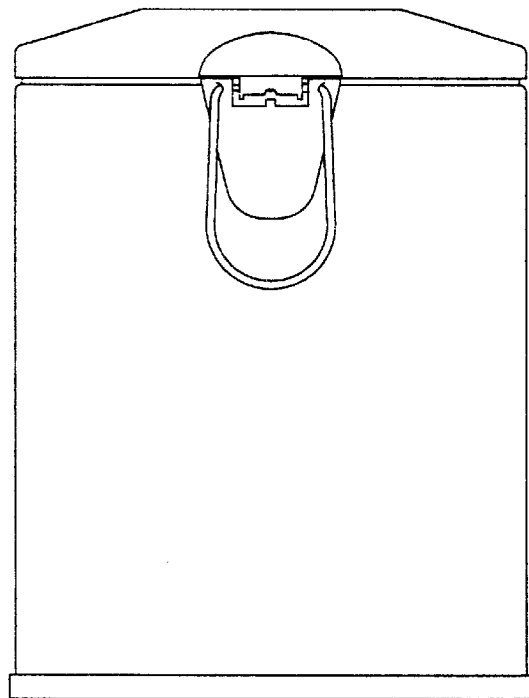


FIG. 3

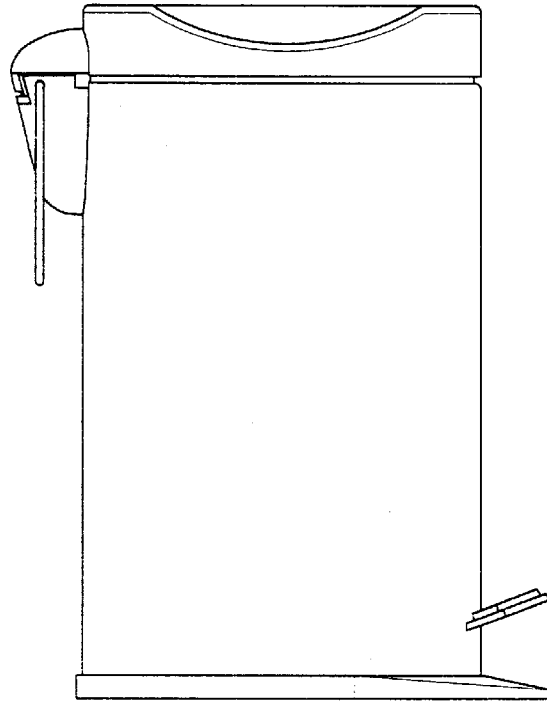


FIG. 4

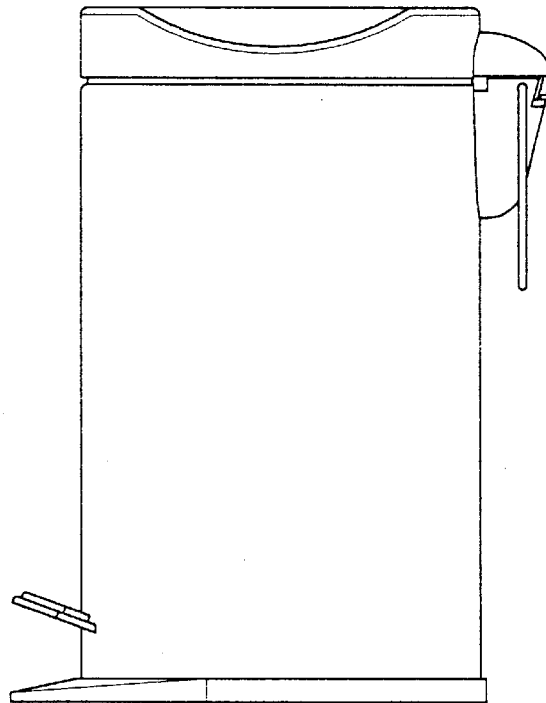


FIG. 5

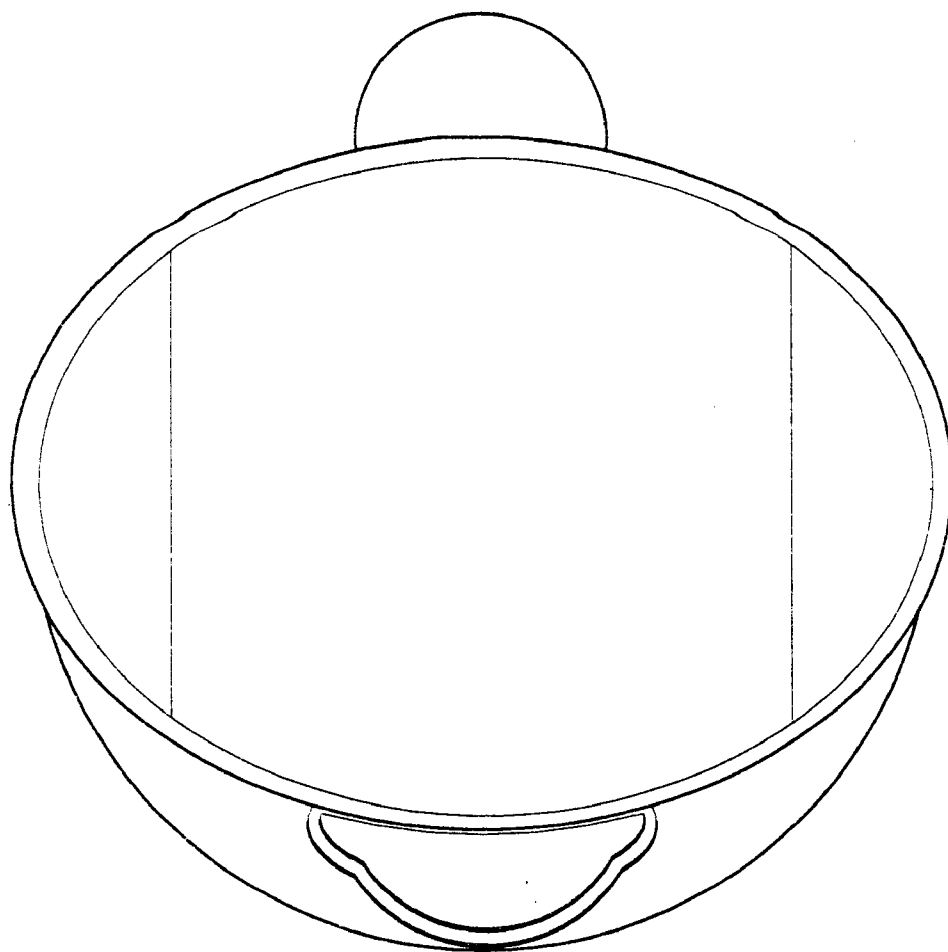


FIG.6