



US00D503851S

(12) **United States Design Patent** (10) **Patent No.:** **US D503,851 S**
Landow (45) **Date of Patent:** **** Apr. 12, 2005**

(54) **MINT DISPENSER KEY RING**
(76) Inventor: **Brian Landow**, 115 Commerce Dr.,
Hauppauge, NY (US) 11788
(**) Term: **14 Years**
(21) Appl. No.: **29/199,310**
(22) Filed: **Feb. 13, 2004**

D391,810 S 3/1998 Cooper
D398,773 S 9/1998 Huang
D419,289 S 1/2000 Edwards
D448,157 S 9/2001 Wright
D456,600 S 5/2002 Gadson
D461,047 S 8/2002 Peterson
D474,017 S * 5/2003 Burns D3/226
6,594,154 B1 7/2003 Brewer et al.
D479,395 S 9/2003 Westrich et al.
D496,271 S * 9/2004 Hoeltgen D9/424

(51) **LOC (7) Cl.** **03-01**
(52) **U.S. Cl.** **D3/212**
(58) **Field of Search** D3/207-212; 206/37.1,
206/38.1; 150/147; 70/456 R, 456 B, 458,
459; D9/224, 730; D7/629, 590, 601

* cited by examiner
Primary Examiner—Ralf Seifert
(74) *Attorney, Agent, or Firm*—Shoemaker and Mattare

(56) **References Cited**

(57) **CLAIM**

The ornamental design for a mint dispenser key ring, as shown and described.

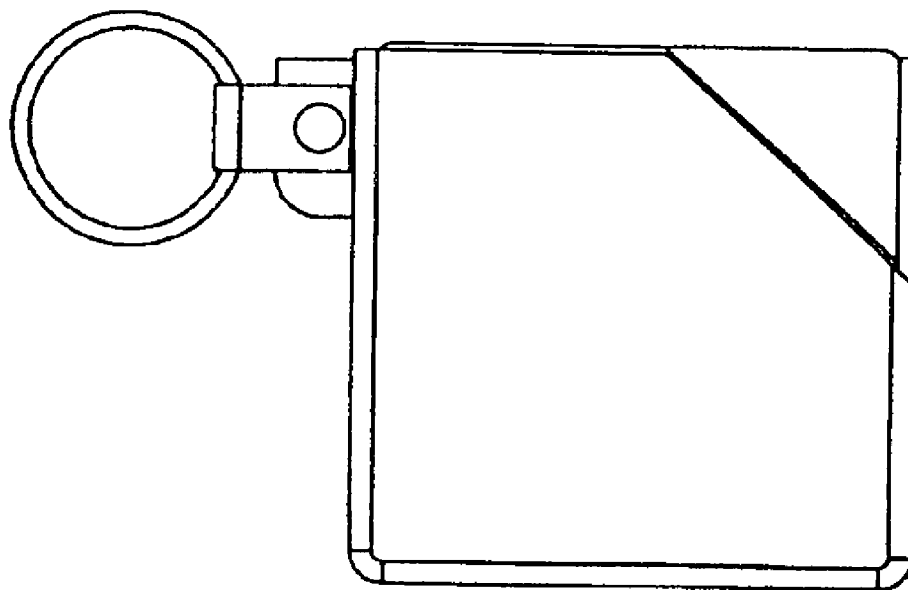
U.S. PATENT DOCUMENTS

DESCRIPTION

2,628,712 A 2/1953 Ford
D247,395 S * 2/1978 Earl D3/208
4,907,694 A 3/1990 Miller et al.
D308,757 S * 6/1990 Sanford D3/208
4,934,528 A 6/1990 Miller et al.
5,020,255 A 6/1991 Rodel
D329,136 S 9/1992 Sanchez
D332,007 S 12/1992 McAullay
D344,627 S 3/1994 Hochman
D352,600 S 11/1994 Steeley
5,467,871 A 11/1995 DeField
D369,464 S 5/1996 Williams et al.
D370,119 S 5/1996 McDaniel
D371,723 S 7/1996 Hirao

FIG. 1 is a front elevation of a mint dispenser key ring, showing my new design;
FIG. 2 is a top plan view thereof;
FIG. 3 is a right elevation thereof;
FIG. 4 is a bottom plan view thereof;
FIG. 5 is a left elevation thereof;
FIG. 6 is an isometric view thereof, showing the dispenser closed; and,
FIG. 7 is an isometric view thereof, showing the dispenser open.

1 Claim, 2 Drawing Sheets



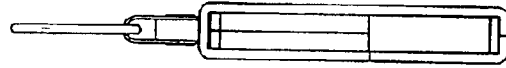


Fig. 2

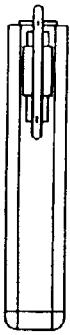


Fig. 5

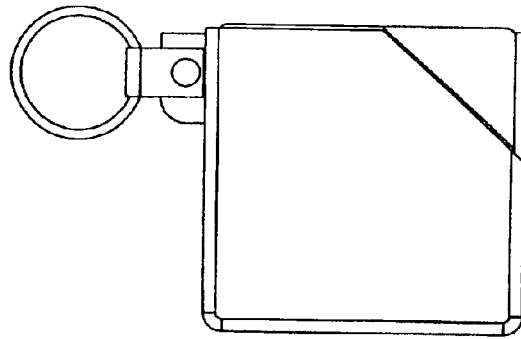


Fig. 1

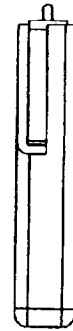


Fig. 3

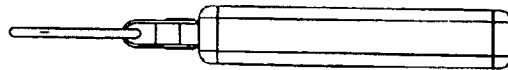


Fig. 4

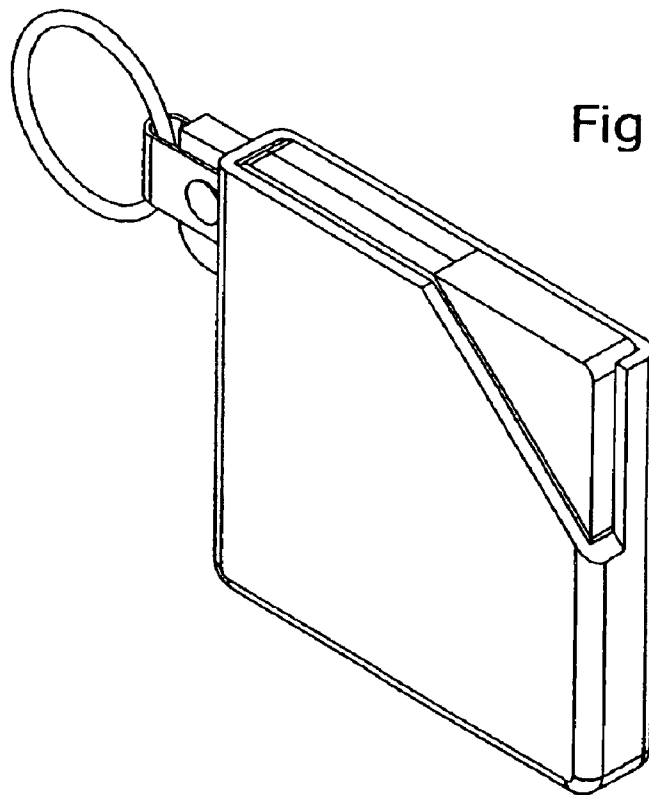


Fig. 6

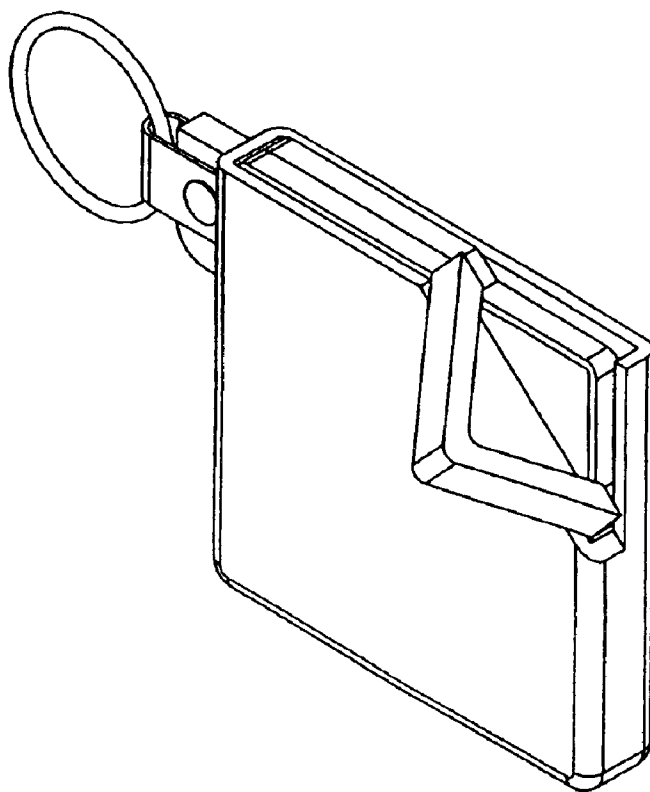


Fig. 7