



US00D890558S

(12) **United States Design Patent**
Gam et al.

(10) **Patent No.:** **US D890,558 S**

(45) **Date of Patent:** **** Jul. 21, 2020**

(54) **CHAIR**

(71) Applicant: **DEDON, GmbH**, Lüneburg (DE)

(72) Inventors: **Stine Gam**, Copenhagen (DK); **Enrico Fratesi**, Copenhagen (DK)

(73) Assignee: **DEDON GmbH**, Lüneburg (DE)

(**) Term: **15 Years**

(21) Appl. No.: **29/638,269**

(22) Filed: **Feb. 26, 2018**

(51) **LOC (12) Cl.** **06-01**

(52) **U.S. Cl.**

USPC **D6/716; D6/375**

(58) **Field of Classification Search**

USPC D6/334–336, 371, 372, 373, 374, 375,
D6/376, 379, 380, 716, 716.1, 716.2,
D6/716.3, 716.4

CPC A47C 3/04; A47C 3/12; A47C 4/02; A47C
4/03; A47C 5/04; A47C 5/12; A47C 7/16

See application file for complete search history.

(56) **References Cited**

U.S. PATENT DOCUMENTS

D579,224 S * 10/2008 Fancelli D6/372
D596,864 S * 7/2009 Bergmann D6/375

D656,755 S * 4/2012 Wanders D6/375
D686,831 S * 7/2013 Lemson D6/375
D820,625 S * 6/2018 Steinmeijer D6/716
D825,216 S * 8/2018 Schaeffer D6/375
D836,360 S * 12/2018 Novak D6/375
D853,742 S * 7/2019 Novak D6/375
D867,780 S * 11/2019 Krusin D6/374
D869,188 S * 12/2019 Parker D6/375

* cited by examiner

Primary Examiner — Mimosa De

(74) *Attorney, Agent, or Firm* — MacCord Mason PLLC

(57) **CLAIM**

The ornamental design for a chair, as shown and described.

DESCRIPTION

FIG. 1 is a front perspective view of a chair showing my new design;

FIG. 2 is a front elevation view thereof;

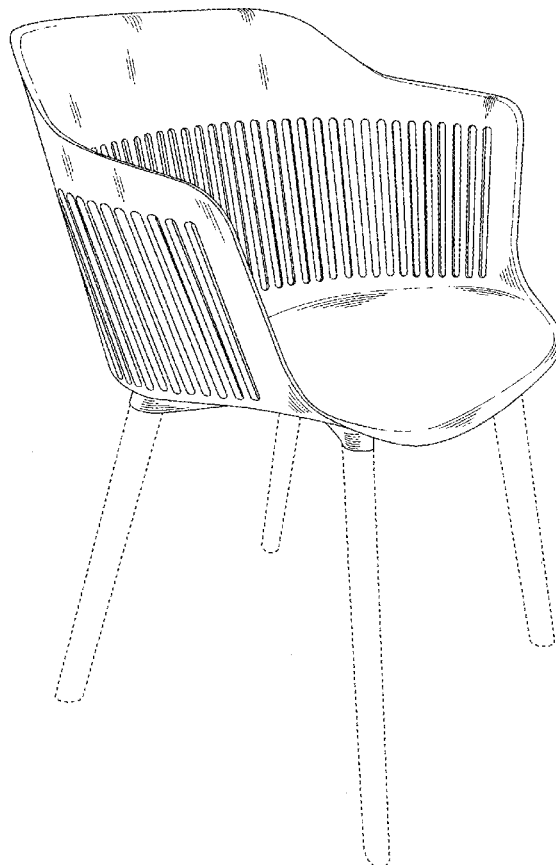
FIG. 3 is a left side elevation view, the opposite side being a mirror image thereof;

FIG. 4 is a rear elevation view thereof; and,

FIG. 5 is a top plan view thereof.

The objects shown in dotted lines depict environment and form no part of the claimed design.

1 Claim, 5 Drawing Sheets



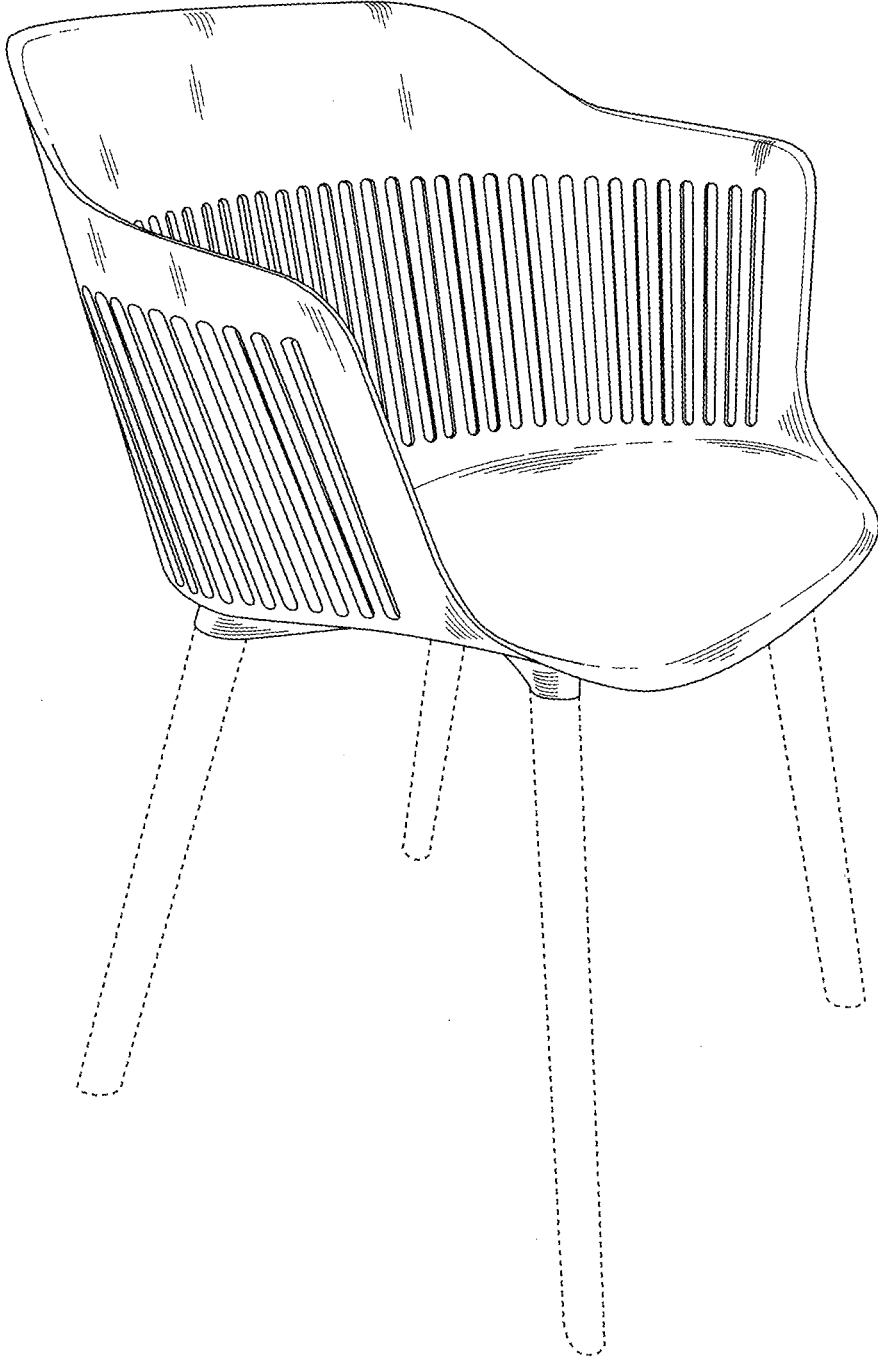


FIG. 1

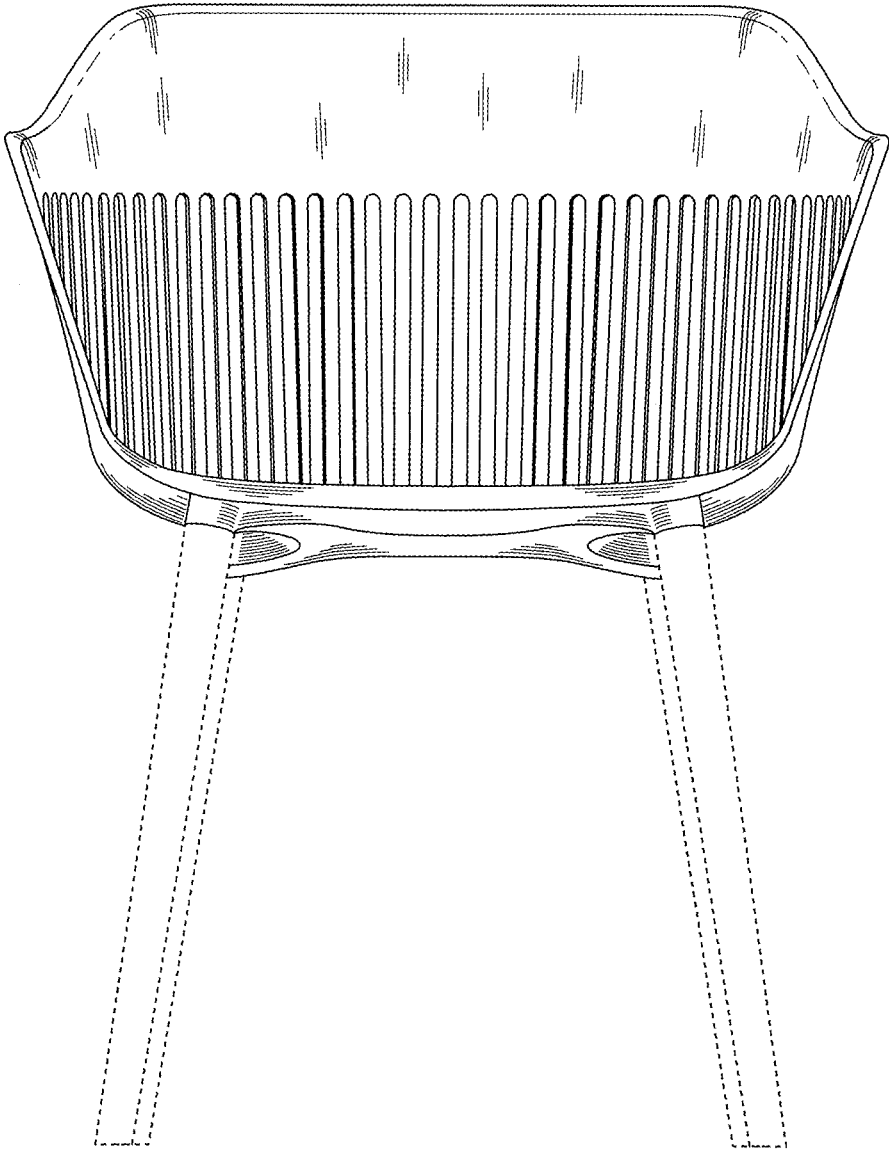


FIG. 2

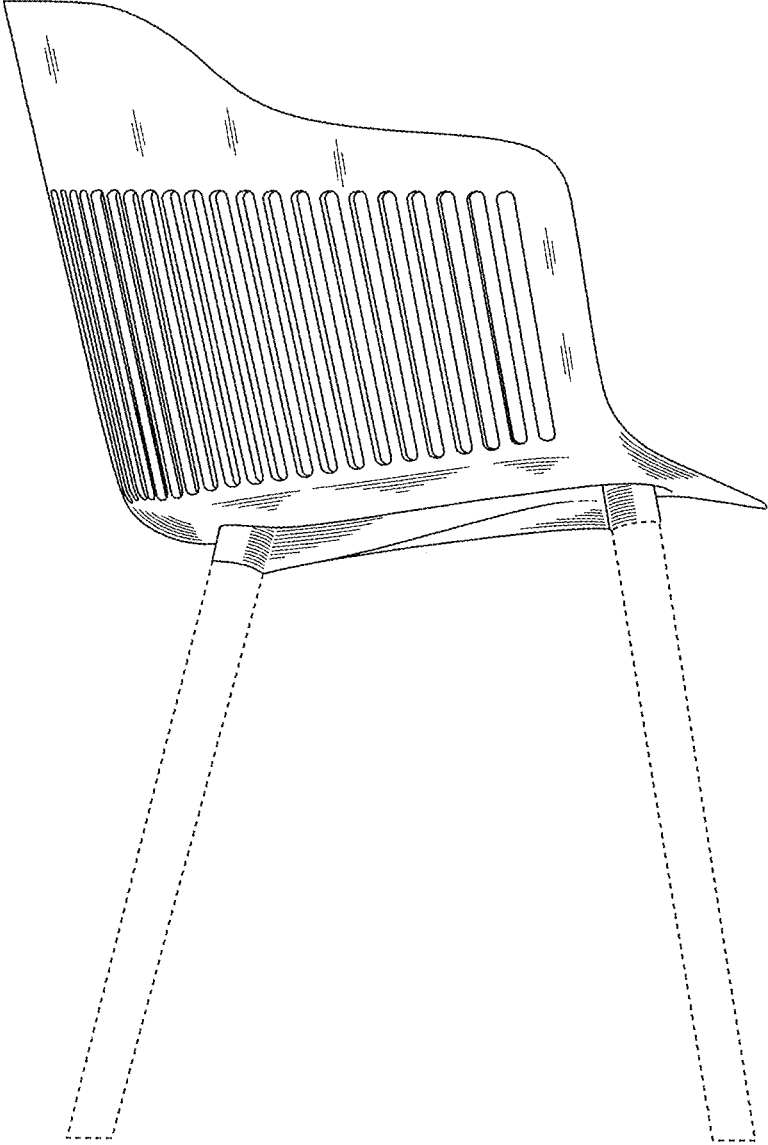


FIG. 3

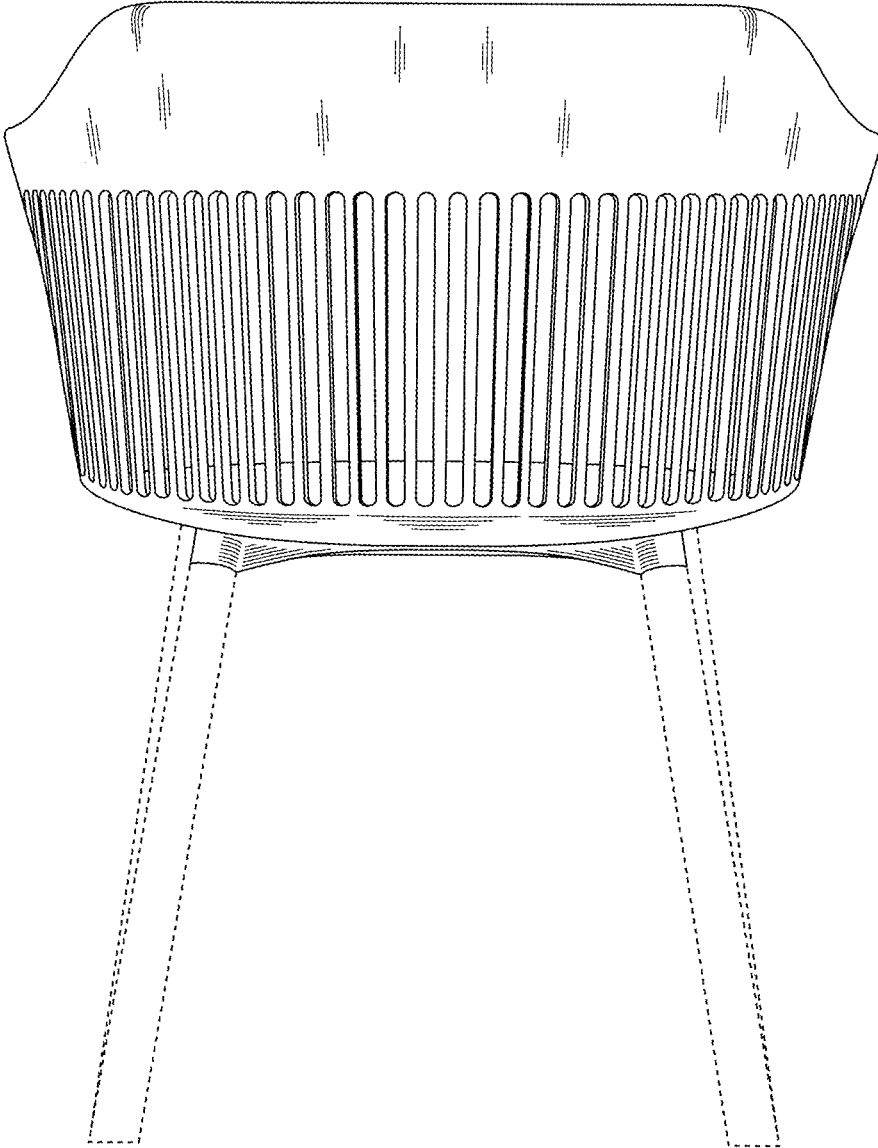


FIG. 4

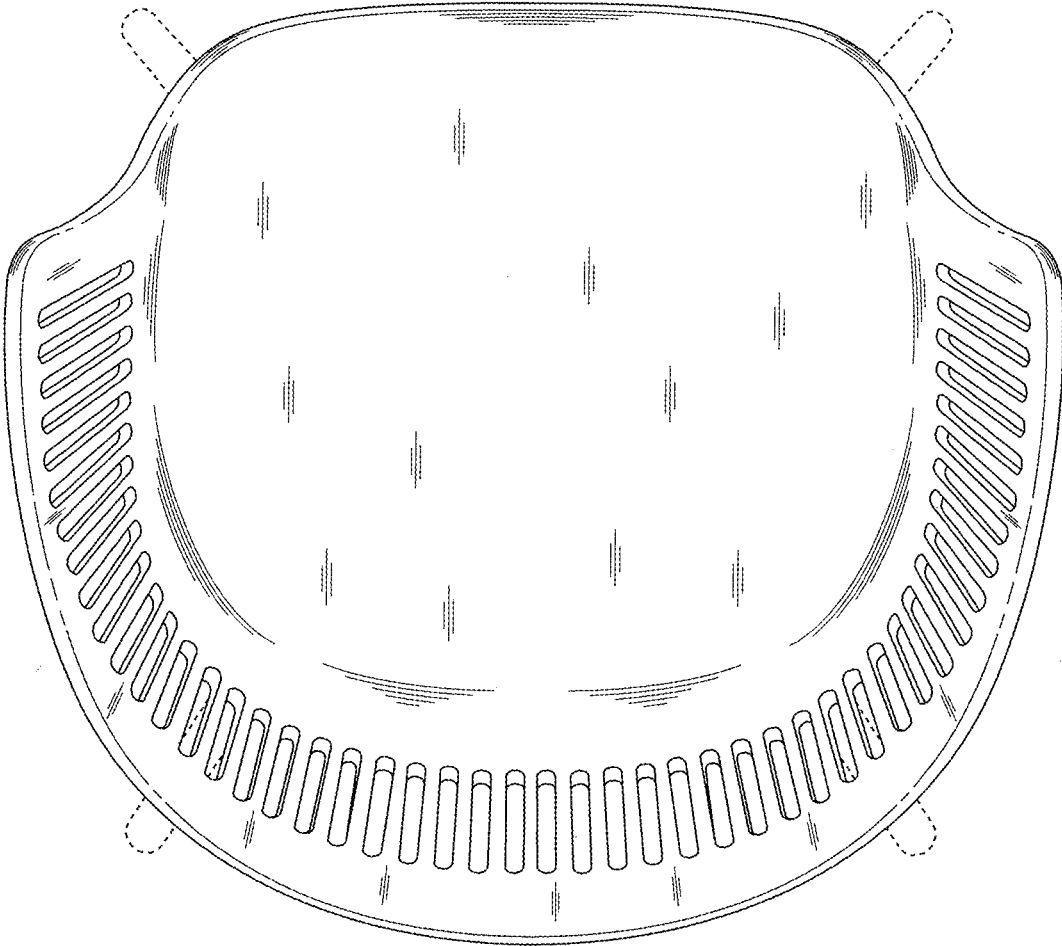


FIG. 5