



(12) **United States Design Patent**
Meritt

(10) **Patent No.:** **US D629,976 S**
(45) **Date of Patent:** **** Dec. 28, 2010**

(54) **ANIMAL FEEDER**

587,803 A * 8/1897 Ewer 4/144.1

(75) Inventor: **Rick Meritt**, Gilmer, TX (US)

(Continued)

(73) Assignee: **Rick Meritt Investments, Ltd.**, Gilmer, TX (US)

FOREIGN PATENT DOCUMENTS

GB 2129266 A 5/1984
GB 2193782 A 2/1988

(**) Term: **14 Years**

OTHER PUBLICATIONS

(21) Appl. No.: **29/345,590**

Advertisement (Mumme's Inc.) (1 page), Texas Deer Association Tracks, vol. 6, Issue 3 (May/Jun. 2005), p. 51.

(22) Filed: **Oct. 19, 2009**

(Continued)

Related U.S. Application Data

Primary Examiner—Susan Moon Lee

(63) Continuation of application No. 29/296,682, filed on Oct. 25, 2007, now Pat. No. Des. 602,649, which is a continuation of application No. 11/160,611, filed on Jun. 30, 2005, now Pat. No. 7,370,605, which is a continuation-in-part of application No. 09/920,231, filed on Aug. 1, 2001, now Pat. No. 6,920,841.

(74) *Attorney, Agent, or Firm*—Gardere Wynne Sewell, LLP

(57) **CLAIM**

The ornamental design for an animal feeder, as shown and described.

(51) **LOC (9) Cl.** **30-03**

DESCRIPTION

FIG. 1 is a perspective view of an animal feeder according to my new design;

(52) **U.S. Cl.** **D30/133**

FIG. 2 is a front elevation view of the animal feeder shown in FIG. 1;

(58) **Field of Classification Search** D30/133, D30/121, 122, 124, 127, 128, 132; 119/51.01, 119/61, 51.04, 53, 57.91, 54, 53.5, 52.4, 119/51.11, 63, 61.2, 52.1, 57.5, 57.6, 51.13, 119/62, 75, 500, 501; 239/7, 687, 379, 397.5; 222/199, 181.1, 181.2, 185.1, 557, 156, 485, 222/486, 548, 555; 220/200, 227, 247, 262; 221/174, 185.1, 289, 295, 296, 559; 454/35; 209/270, 283, 244; 52/194, 192; 49/279, 49/344, 357; D34/28

FIG. 3 is a rear elevation view of the animal feeder shown in FIG. 1;

FIG. 4 is a right side elevation view of the animal feeder shown in FIG. 1;

FIG. 5 is a left side elevation view of the animal feeder shown in FIG. 1;

See application file for complete search history.

FIG. 6 is a top plan view of the animal feeder shown in FIG. 1; and,

FIG. 7 is a bottom plan view of the animal feeder shown in FIG. 1.

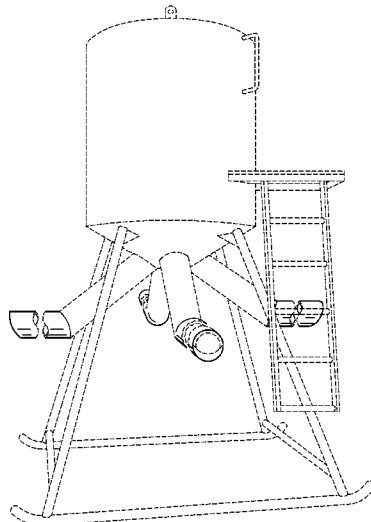
The broken lines are for illustrative purposes only and form no part of the claimed design.

(56) **References Cited**

U.S. PATENT DOCUMENTS

347,416 A * 8/1886 Buckingham 138/119
411,140 A 9/1889 Farrington et al.
423,712 A 3/1890 Arnold
485,142 A 10/1892 Stephens

1 Claim, 7 Drawing Sheets



US D629,976 S

U.S. PATENT DOCUMENTS

1,214,881 A	2/1917	Bemzen		4,397,304 A *	8/1983	Villain	126/593
1,237,016 A *	8/1917	Brown	220/825	D271,090 S *	10/1983	Edgar et al.	D11/131
1,239,404 A	9/1917	Knoll, Jr.		D271,963 S *	12/1983	Perkins	D12/194
1,309,671 A	7/1919	Weaver		D273,715 S	5/1984	Sher	
1,355,399 A *	10/1920	Kelley	119/57.91	D275,228 S *	8/1984	Nishigaki	D24/138
1,359,691 A	11/1920	Genuit		4,508,303 A *	4/1985	Beckerer, Jr.	248/311.2
1,561,299 A	11/1925	Banks		D279,717 S *	7/1985	Mau et al.	D26/101
1,563,816 A	12/1925	Worthington		4,538,548 A	9/1985	Page	
D77,948 S	3/1929	Evans		4,542,930 A	9/1985	Adams	
D92,312 S	5/1934	Kanter		4,580,528 A	4/1986	Kendall	
2,136,956 A	11/1938	Schmitt		4,601,414 A	7/1986	Lawson	
D130,681 S *	12/1941	Decker	D12/194	4,608,046 A *	8/1986	Towfigh	604/329
2,454,721 A	11/1948	Severance et al.		4,621,737 A *	11/1986	Casey	211/70.5
D152,655 S	2/1949	Rossell		H000176 H	12/1986	Johnstone, Jr.	
2,464,278 A	3/1949	Wilson		D288,608 S *	3/1987	Dahlberg	D24/122
D161,749 S *	1/1951	Griner	D11/147	4,653,195 A *	3/1987	Esparza	33/529
D163,955 S *	7/1951	McCartney	D12/194	4,707,389 A	11/1987	Ward	
2,583,203 A	1/1952	Bergeron		4,719,875 A	1/1988	Van Gilst	
2,619,252 A	11/1952	De Hoffmann		D295,091 S	4/1988	Swartzendruber	
2,638,871 A	5/1953	Ruedemann		4,815,621 A	3/1989	Bartis	
2,654,346 A	10/1953	Goff		4,859,423 A	8/1989	Perlman	
D171,639 S	3/1954	Clemens, Jr.		D305,193 S *	12/1989	Sajadieh	D7/509
2,756,032 A	7/1956	Dowell		D305,804 S *	1/1990	Browning et al.	D27/163
2,760,807 A	8/1956	Watson		4,956,821 A	9/1990	Fenelon	
2,761,597 A *	9/1956	Stukey	222/525	4,971,366 A	11/1990	Towsley	
2,808,029 A	10/1957	Geerling		4,986,220 A	1/1991	Reneau et al.	
2,881,947 A	4/1959	Hancock		4,997,284 A	3/1991	Tousignant et al.	
2,886,002 A	5/1959	O'Malley et al.		D319,759 S	9/1991	Bookout	
D187,929 S	5/1960	Rensch		D319,794 S *	9/1991	Elkins	D10/68
2,988,047 A	6/1961	Hurdle		5,061,180 A *	10/1991	Wiele	433/91
3,007,618 A	11/1961	Davis et al.		5,069,164 A	12/1991	Wiw	
3,034,480 A	5/1962	French		5,086,730 A	2/1992	Figley	
D194,594 S	2/1963	Juculano		5,090,743 A	2/1992	Obering	
3,104,778 A *	9/1963	Leonard	221/34	D326,741 S *	6/1992	Powers	D30/121
3,128,560 A *	4/1964	McKenzie	33/529	5,130,496 A *	7/1992	Jenkins	174/135
3,131,511 A *	5/1964	Deaner	47/41.01	5,143,289 A	9/1992	Gresham et al.	
3,318,473 A	5/1967	Jones et al.		5,183,298 A	2/1993	Harrington	
3,386,756 A	6/1968	Primm		D333,841 S *	3/1993	Henricksen	D19/78
3,487,433 A	12/1969	Fleming		5,195,459 A	3/1993	Ancketill	
3,515,098 A	6/1970	Thurmond		D336,554 S	6/1993	Reeder	
3,613,641 A	10/1971	Geerlings		5,218,784 A	6/1993	Pollock	
3,636,983 A *	1/1972	Keyser	138/39	D340,516 S	10/1993	Too	
3,655,011 A *	4/1972	Willett	181/228	5,273,454 A *	12/1993	Shotey	439/367
3,658,211 A	4/1972	Kitchens		5,275,131 A	1/1994	Brake et al.	
D226,507 S *	3/1973	Wright	D22/112	5,333,572 A	8/1994	Nutt	
3,720,235 A *	3/1973	Schrock	138/137	5,339,996 A	8/1994	Dubbert et al.	
3,730,142 A	5/1973	Kahrs et al.		5,372,093 A *	12/1994	Pooshs	119/51.11
3,780,701 A	12/1973	Wentworth, Sr.		5,405,047 A *	4/1995	Hansen	221/190
D232,552 S	8/1974	Wtson		5,410,986 A	5/1995	Washam	
3,856,315 A *	12/1974	Stansbury	277/625	5,435,267 A	7/1995	Patterson	
3,873,391 A	3/1975	Plauka et al.		5,450,677 A *	9/1995	Casey	33/529
D237,001 S *	9/1975	Von Serda	D26/137	5,464,257 A	11/1995	Riddles et al.	
3,902,460 A	9/1975	Franklin		D367,093 S	2/1996	Weir	
3,977,045 A *	8/1976	Saurenman	19/159 R	5,503,090 A *	4/1996	Guzan	111/7.2
D242,933 S	1/1977	Brubaker et al.	D11/131	D371,228 S	6/1996	Monin	
D243,559 S	3/1977	Hoyle et al.		5,533,646 A	7/1996	Dildine	
D244,857 S *	6/1977	Hayes	D24/166	5,544,764 A *	8/1996	Cima	211/60.1
D245,048 S	7/1977	Pool		D373,659 S	9/1996	Miller	
D245,368 S *	8/1977	Mueller	D26/105	D375,159 S *	10/1996	Johansson	D24/112
D246,603 S	12/1977	Frost		5,570,547 A	11/1996	Webb et al.	
4,163,474 A *	8/1979	MacDonald et al.	165/179	D382,748 S	8/1997	Riskey	
D256,623 S	8/1980	Lockwood		5,655,671 A *	8/1997	Barry et al.	211/70
D258,012 S	1/1981	Murphy		5,662,630 A *	9/1997	Raynie	604/349
D258,013 S	1/1981	Murphy		5,666,260 A *	9/1997	Pasmanik et al.	361/600
4,256,054 A *	3/1981	Hitchcock	119/51.11	D386,137 S	11/1997	Bailey	
4,291,809 A *	9/1981	Lyon	211/69.5	5,699,753 A	12/1997	Aldridge, III	
D262,144 S	12/1981	Sher		5,730,302 A	3/1998	Groene	
D262,408 S	12/1981	Whaling		5,740,757 A	4/1998	Smeester	
4,328,880 A	5/1982	Lapeyre		D394,178 S	5/1998	Gremchuck	
4,337,728 A	7/1982	Van Gilst et al.		5,753,158 A *	5/1998	Orsing	264/150
4,358,205 A	11/1982	Eakins		D397,527 S	8/1998	Bruder et al.	
				5,794,561 A	8/1998	Schulz	
				D401,016 S *	11/1998	Holliday	D28/73

5,862,777 A 1/1999 Sweeney
 5,876,282 A * 3/1999 Kenny 454/367
 5,901,497 A * 5/1999 Bulvin 47/48.5
 5,901,886 A 5/1999 Grindstaff et al.
 5,906,174 A 5/1999 Muldoon
 5,934,222 A 8/1999 Hwang
 5,979,717 A 11/1999 Dalton et al.
 D417,614 S 12/1999 Chu
 D420,316 S * 2/2000 Hanlon et al. D12/194
 D421,650 S 3/2000 Liao
 D421,821 S 3/2000 Kinjerski
 D423,436 S * 4/2000 Larson D12/194
 D426,734 S * 6/2000 Fuchs D6/524
 6,073,587 A 6/2000 Hill et al.
 6,082,300 A 7/2000 Futch
 6,142,100 A 11/2000 Marchioro
 D436,861 S 1/2001 Sagel et al.
 6,199,509 B1 3/2001 Mostyn et al.
 D445,062 S * 7/2001 Wong D11/147
 D445,170 S * 7/2001 Speicher D23/266
 6,283,159 B1 * 9/2001 Tada 138/116
 D450,456 S * 11/2001 Warren, III D3/313
 6,328,184 B1 12/2001 Krol
 6,329,602 B1 12/2001 Ushiyama et al.
 6,364,125 B1 * 4/2002 D'Angelo 211/10
 D458,201 S * 6/2002 Warren D12/194
 D460,726 S * 7/2002 Campbell et al. D12/194
 6,435,134 B1 8/2002 Ho
 6,439,158 B1 * 8/2002 Blohm 119/57.8
 D464,875 S * 10/2002 Koppang D9/711
 D466,809 S 12/2002 Sagel
 6,488,511 B1 12/2002 Stewart
 6,510,813 B1 1/2003 Boone, Jr.
 D469,926 S * 2/2003 Petruccelli D28/73
 D476,451 S 6/2003 Morgan, Sr.
 6,591,990 B2 * 7/2003 Lanman et al. 211/10
 6,622,653 B1 9/2003 Starnes, Jr.
 6,637,595 B1 10/2003 Frossard et al.
 D486,946 S 2/2004 Castro
 D487,170 S 2/2004 Petruccelli
 6,691,640 B1 2/2004 Huckabee
 D488,889 S * 4/2004 Walsh D30/121
 D490,352 S * 5/2004 Ward D12/194
 6,763,781 B1 7/2004 Norrell
 D494,384 S 8/2004 Chandaria
 D495,186 S * 8/2004 Poupel et al. D7/300.1
 6,786,180 B1 9/2004 Cheng
 D504,309 S 4/2005 Fuchs
 6,904,690 B2 6/2005 Bakke et al.
 6,920,841 B2 7/2005 Meritt
 6,959,664 B1 * 11/2005 Keuter et al. 119/54
 D520,423 S * 5/2006 Poole D12/194
 7,059,355 B2 * 6/2006 Otani et al. 138/137
 D525,657 S * 7/2006 Warren, III D19/77
 D528,488 S * 9/2006 Webb D12/194
 7,143,721 B2 12/2006 Robbins
 D534,469 S * 1/2007 Murkett D12/194
 7,165,796 B1 1/2007 Hung
 D540,231 S * 4/2007 Braun et al. D12/194
 7,204,201 B2 * 4/2007 Leombruno 119/56.1
 D541,718 S 5/2007 Emler
 D543,666 S * 5/2007 Ross et al. D30/133
 7,214,028 B2 5/2007 Boasso et al.
 D545,742 S * 7/2007 Kinoshita D12/194
 D548,589 S * 8/2007 Blasko et al. D9/428
 D548,890 S * 8/2007 Chen et al. D27/135
 D549,313 S * 8/2007 Kelnhofer D23/360
 D551,965 S * 10/2007 Blasko et al. D9/428
 D558,111 S * 12/2007 Banks, III D12/194
 7,302,912 B2 * 12/2007 Boyer 119/57.91
 7,311,223 B2 12/2007 Post

D559,470 S * 1/2008 Stevens et al. D30/121
 D562,557 S * 2/2008 Lewis D3/313
 7,370,605 B2 5/2008 Meritt
 D574,309 S * 8/2008 Unfried et al. D12/194
 D574,932 S 8/2008 Zhuang
 D575,556 S * 8/2008 Rohkar, Jr. D6/466
 D575,908 S 8/2008 Meritt
 7,475,796 B2 1/2009 Garton
 D587,366 S * 2/2009 Turkat D24/122
 D588,166 S 3/2009 Lyons, III
 D598,354 S * 8/2009 Nakazawa et al. D12/194
 D598,602 S * 8/2009 Laarman D26/84
 D599,503 S 9/2009 Meritt
 D602,647 S 10/2009 Polstein et al.
 D603,104 S 10/2009 Meritt
 D603,105 S 10/2009 Meritt
 D603,566 S 11/2009 Meritt
 D604,017 S 11/2009 Meritt
 2002/0134850 A1 9/2002 Hollenberg
 2005/0224126 A1 * 10/2005 Otani et al. 138/137
 2005/0229860 A1 * 10/2005 Meritt 119/53
 2005/0269367 A1 12/2005 Post
 2006/0048712 A1 * 3/2006 Boyer 119/57.91
 2006/0060148 A1 3/2006 Boyer
 2006/0283396 A1 12/2006 Hernandez
 2007/0028844 A1 * 2/2007 Bodenstab et al. 119/52.1
 2008/0178815 A1 7/2008 Meritt
 2008/0178816 A1 7/2008 Meritt

OTHER PUBLICATIONS

Advertisement (Mumme's Inc.) (1 page), The Journal of the Texas Trophy Hunters Association, Jan./Feb. 2005, on reverse side of p. 74.
 Advertisement (Sweeney Automated Feeding Systems) (2 pages, front and back) (date referenced Jan. 1-Feb. 28, 2005).
 Internet web site (Atascosa Wildlife Supply) (2 pages); <http://www.atascosawildlifesupply.com/feeders.html> (Mar. 8, 2005).
 Advertisement (Atascosa Wildlife Supply) (2 pages.); The Journal of the Texas Trophy Hunters Association, May/Jun. 2005 (reverse sides of pp. 23 and 26).
 Advertisement (Texas Wildlife Supply) (1 page), The Journal of the Texas Trophy Hunters Association, May/Jun. 2005 (reverse side of p. 174).
 Internet web site (American Hunter Outdoor Products) (15 pages); <http://www.americanhunterfeeders.com> (Feb. 24, 2005).
 Internet web site (Mumme's Inc.) (1 page); <http://www.mummesinc.com> (Feb. 24, 2005).
 Internet web site (Boss Game Systems) (3 pages); <http://www.bossgamesystems.com> (Oct. 6, 2005).
 Advertisement (American Hunter Outdoor Products) (1 page), The Journal of the Texas Trophy Hunters Association, May/Jun. 2005, on reverse side of p. 155.
 "Introduction to Welding," Materials Engineering Group.; Copyright 1997 Materials Engineering (UK) Ltd.; <http://www.meg.co.uk/meg/app01.htm>.
 "Welding," Microsoft Encarta Online Encyclopedia 2002; <http://encarta.msn.com> (1997-2002) Microsoft Corporation.
 "Fair Special, 2000# Capacity Gravity Flow Protein Feeder," and Photo, Sycamore Springs Ranch, Approximately Oct. 2005.
 Advertisement (Rick Meritt; Outback Wildlife Feeders); The Journal of the Texas Trophy Hunters, Sep./Oct. 2007, vol. 32, No. 5 (3pp).
 Advertisement (Rick Meritt; Outback Wildlife Feeders); The Journal of the Texas Trophy Hunters, Jul./Aug. 2006, vol. 31, No. 4 (3pp).
 Advertisement (Rick Meritt; Outback Wildlife Feeders); The Journal of the Texas Trophy Hunters, Sep./Oct. 2005, vol. 30, No. 5 (3pp).
 Advertisement (Rick Meritt; Outback Wildlife Feeders); The Journal of the Texas Trophy Hunters, Sep./Oct. 2001, vol. 26, No. 5 (2pp).
 Advertisement (Rick Meritt; Outback Wildlife Feeders); The Journal of the Texas Trophy Hunters, Sep./Oct. 2002, vol. 27, No. 5 (2pp).
 Advertisement (Rick Meritt; Outback Wildlife Feeders); The Journal of the Texas Trophy Hunters, Sep./Oct. 2003, vol. 28, No. 5 (2pp).
 Advertisement (Rick Meritt; Outback Wildlife Feeders); The Journal of the Texas Trophy Hunters, Sep./Oct. 2004, vol. 29, No. 5 (2pp).

* cited by examiner

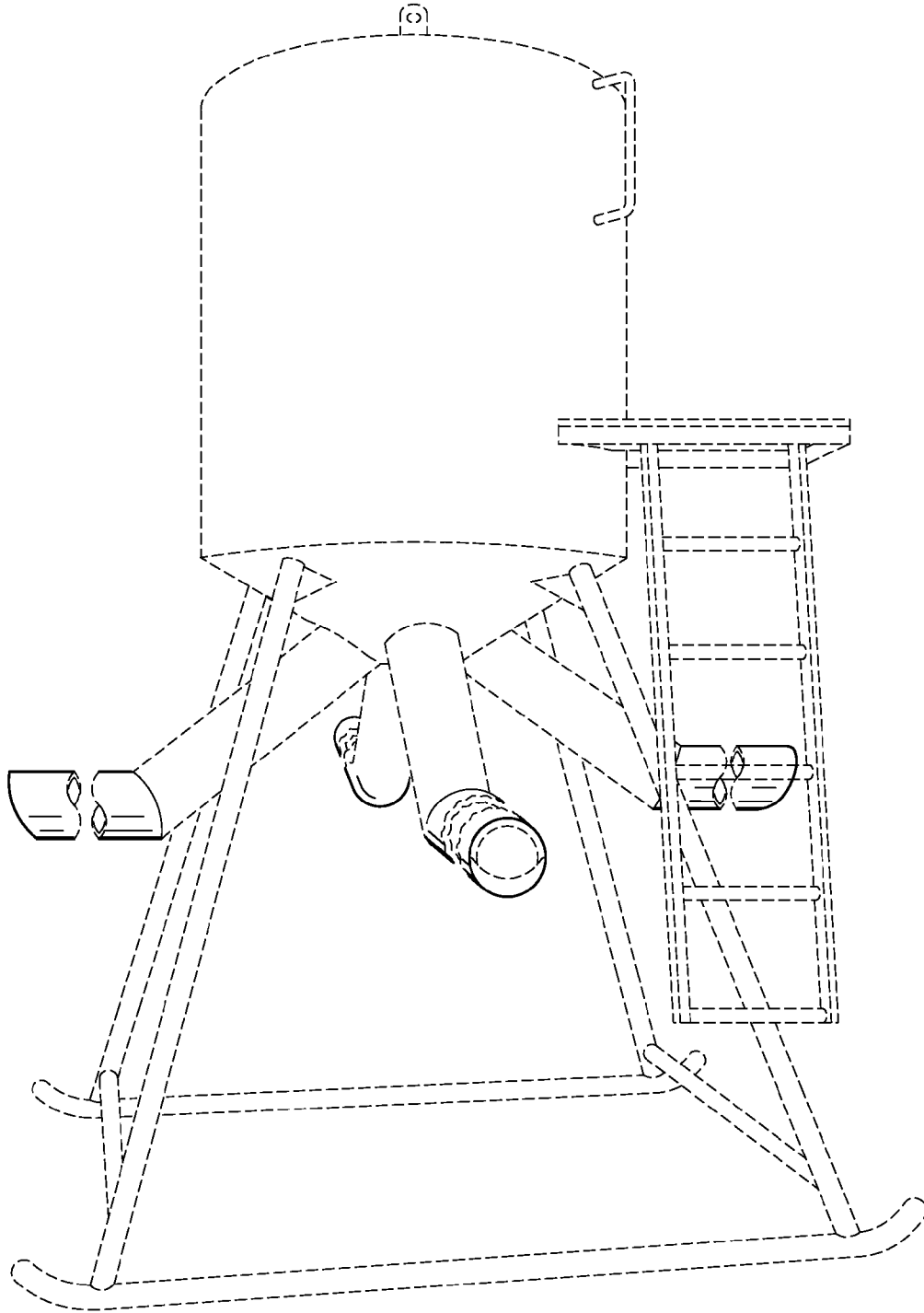


FIG. 1

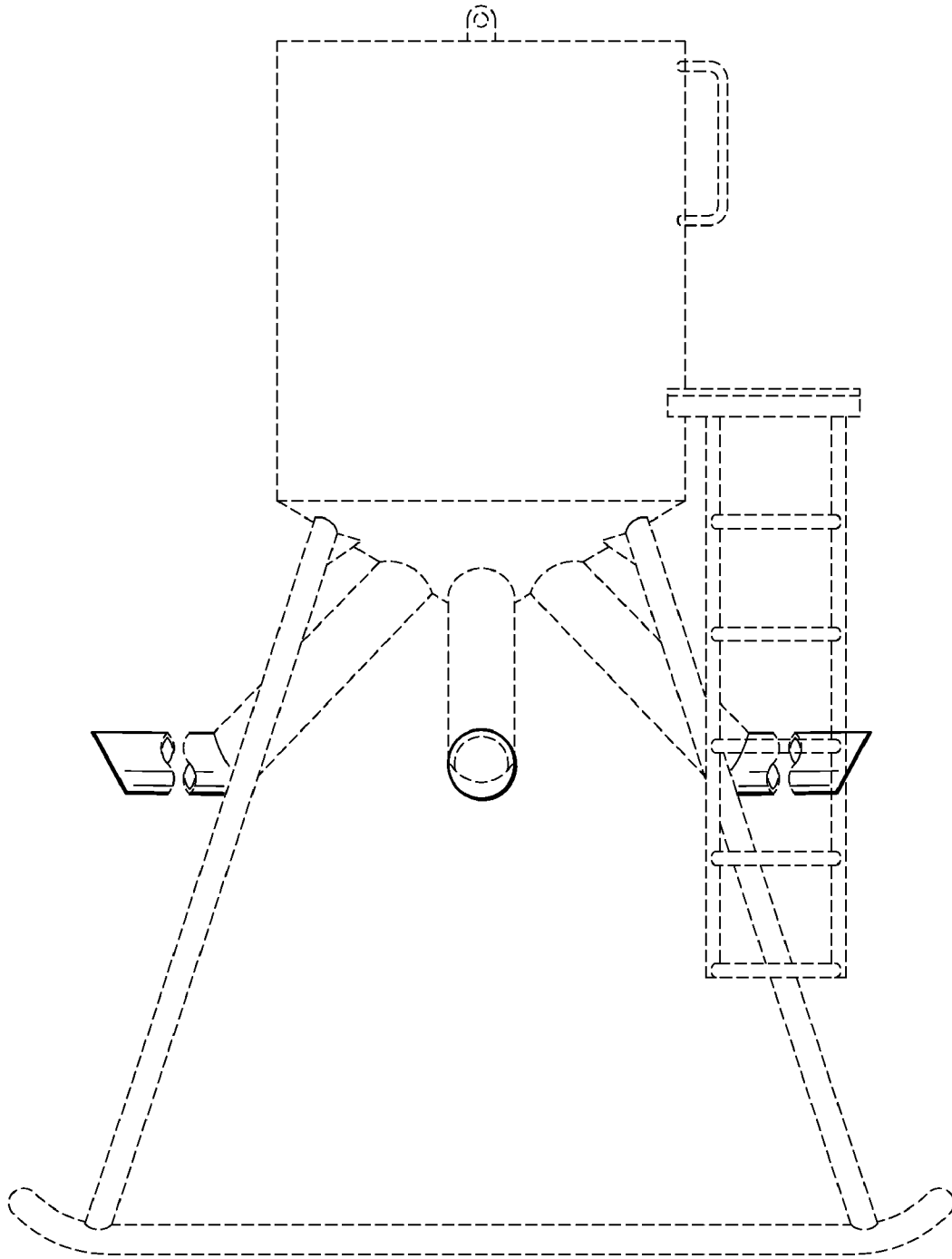


FIG. 2

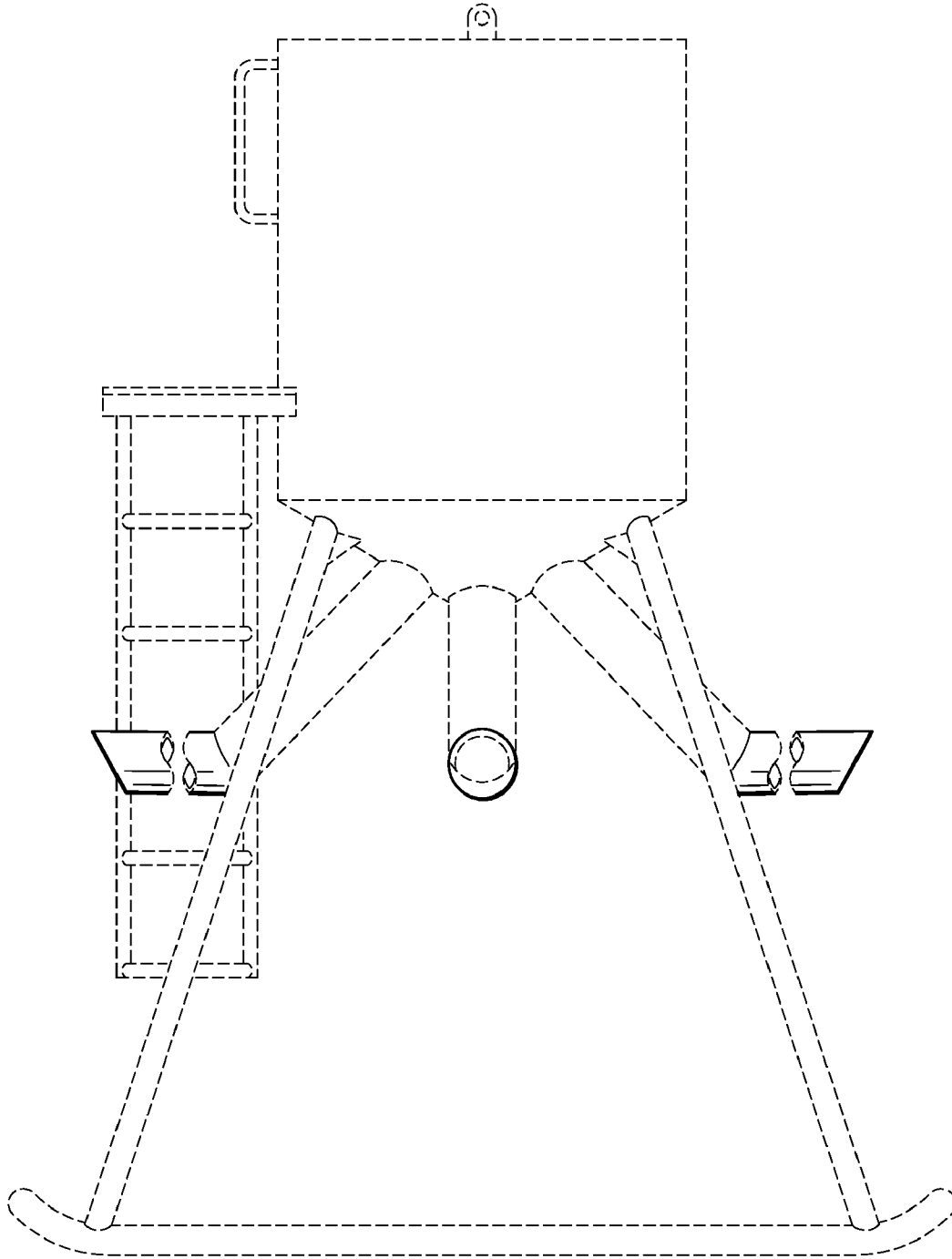


FIG. 3

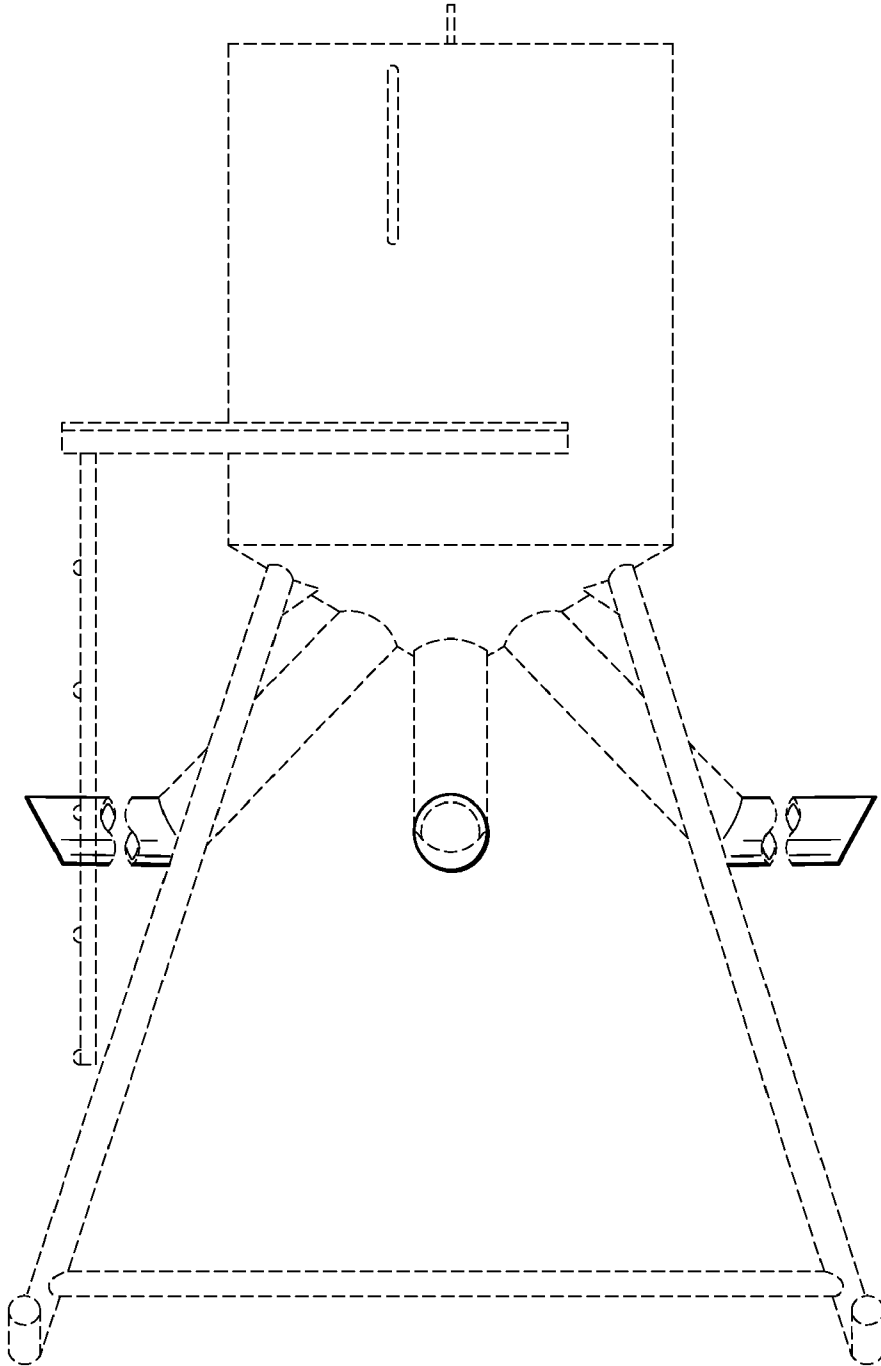


FIG. 4

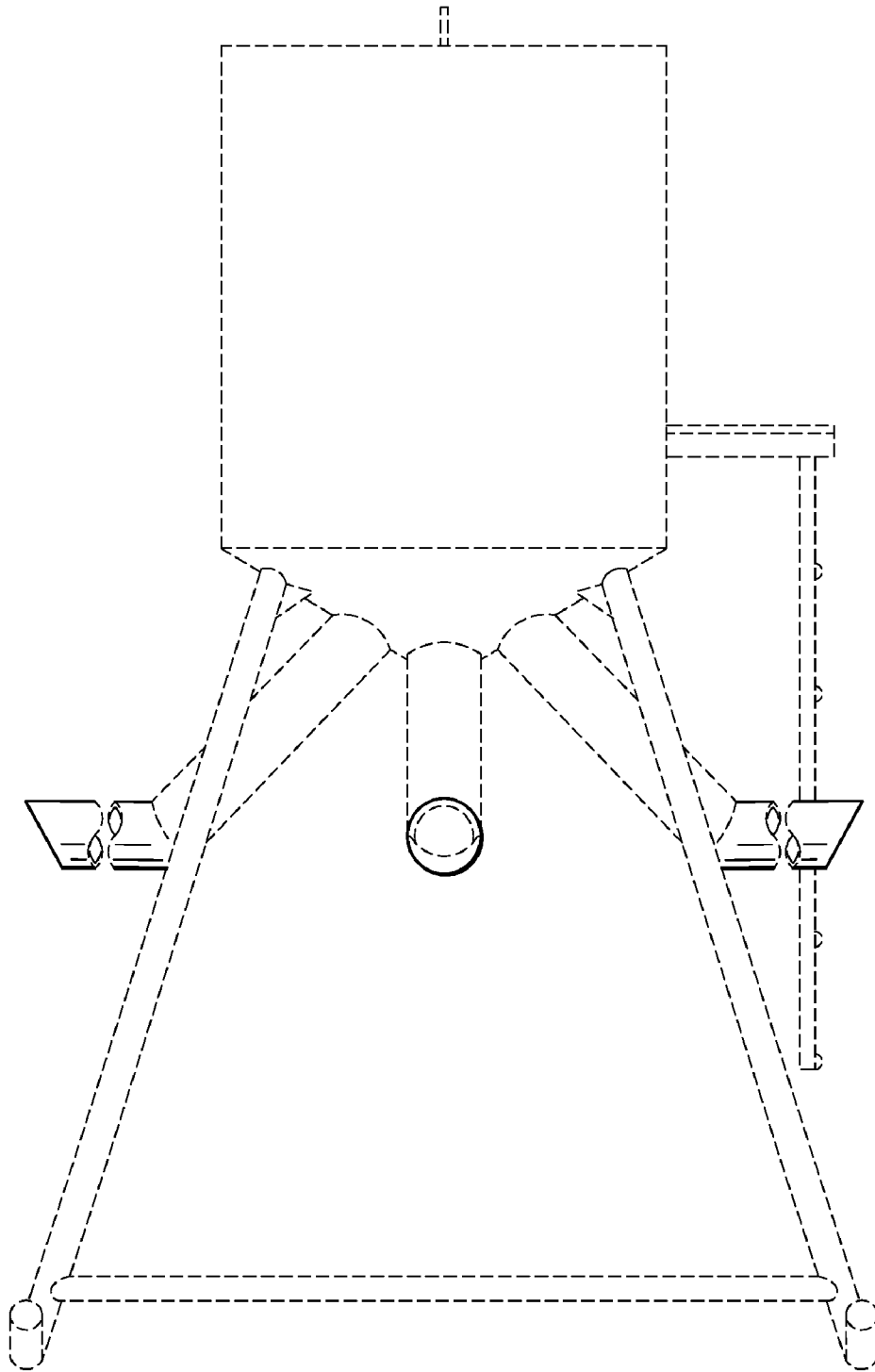


FIG. 5

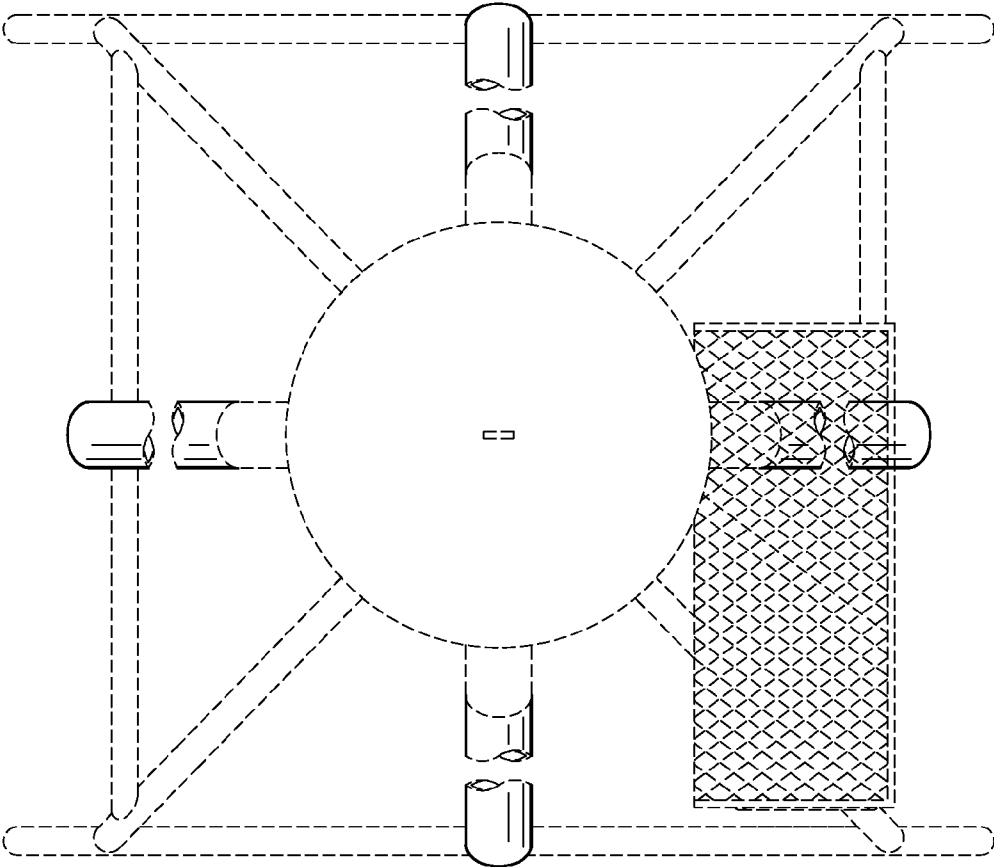


FIG. 6

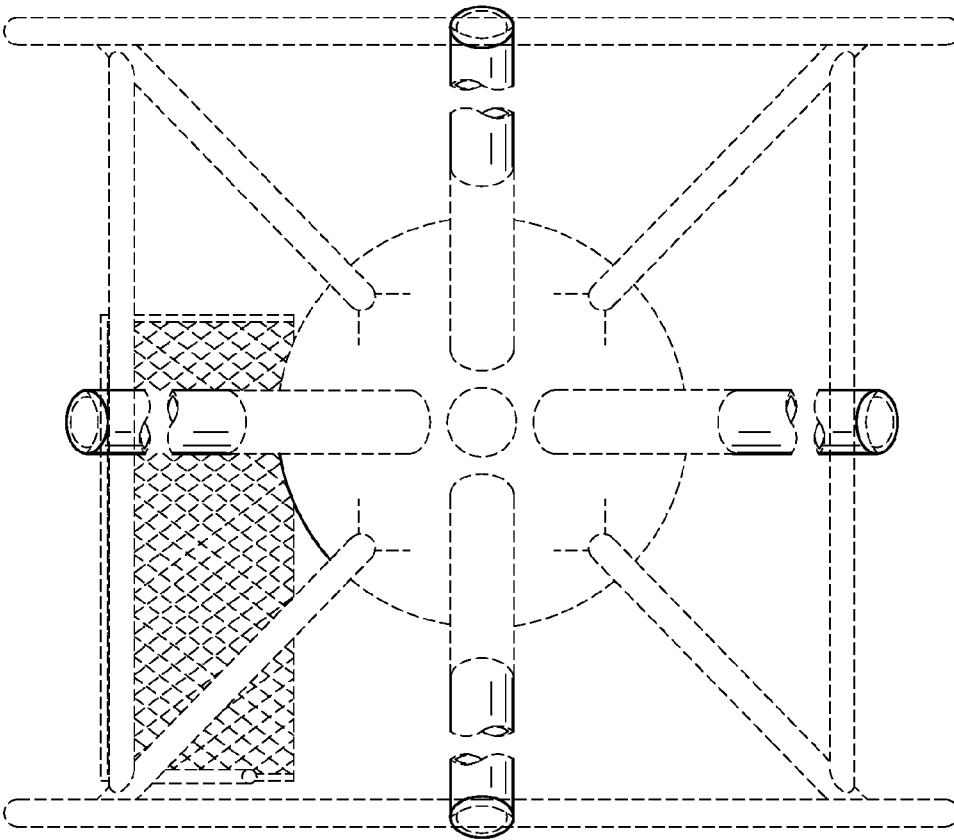


FIG. 7