



US00D887035S

(12) **United States Design Patent**  
**Rice et al.**

(10) **Patent No.:** **US D887,035 S**  
(45) **Date of Patent:** **\*\* Jun. 9, 2020**

- (54) **LAMP CAPSULE WITH COATING**
- (71) Applicants: **Lawrence C. Rice**, Hillsboro, NH (US);  
**Joseph C. Swadel**, Hillsboro, NH (US)
- (72) Inventors: **Lawrence C. Rice**, Hillsboro, NH (US);  
**Joseph C. Swadel**, Hillsboro, NH (US)
- (73) Assignee: **OSRAM SYLVANIA Inc.**, Wilmington,  
MA (US)

6,093,999 A 7/2000 English  
 6,281,630 B1 8/2001 English  
 D456,090 S \* 4/2002 Benensohn ..... D26/2  
 6,369,510 B1 4/2002 Shaw  
 8,070,339 B2 12/2011 Koike  
 8,523,417 B2 9/2013 Kobayashi  
 8,894,257 B2 11/2014 Rice  
 8,905,609 B2 12/2014 Tessnow  
 (Continued)

- (\*\*) Term: **15 Years**
- (21) Appl. No.: **29/692,749**
- (22) Filed: **May 28, 2019**

FOREIGN PATENT DOCUMENTS  
 WO 2008/074657 A2 6/2015

- Related U.S. Application Data**
- (63) Continuation of application No. 16/150,470, filed on  
Oct. 3, 2018, now Pat. No. 10,408,406.
  - (51) **LOC (12) Cl.** ..... **26-04**
  - (52) **U.S. Cl.**  
USPC ..... **D26/2**
  - (58) **Field of Classification Search**  
USPC ..... D26/1-4  
CPC ..... H01R 5/00; H01R 13/46; H01R 13/514;  
H01R 31/048; H01J 5/00; H01J 5/16;  
H01J 1/02; H01J 15/00; H01J 5/48; H01J  
5/50; H01J 19/54; F21V 5/00; F21V  
29/004; F21K 9/00; F21K 13/00  
See application file for complete search history.

OTHER PUBLICATIONS  
 Excerpt of SAE (Society of Automotive Engineers) Tech. Spec.  
 J2560, issued Jul. 2007, pp. 41-56 (16pgs.).  
 (Continued)

- (56) **References Cited**  
 U.S. PATENT DOCUMENTS  
 5,111,105 A 5/1992 Yamamoto  
 D347,901 S \* 6/1994 Yamamoto ..... D26/2  
 5,660,462 A 8/1997 Bockley  
 D392,057 S \* 3/1998 Chen ..... D26/2  
 D395,714 S \* 6/1998 Murata ..... D26/2  
 5,938,323 A 8/1999 McMahan

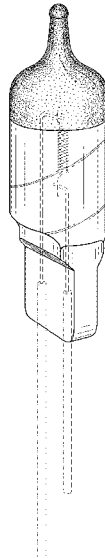
*Primary Examiner* — Marcus A Jackson  
 (74) *Attorney, Agent, or Firm* — Edward S. Podszus

(57) **CLAIM**  
 The ornamental design for a lamp capsule with coating, as  
 shown and described.

**DESCRIPTION**

FIG. 1 is a front perspective view of the ornamental design  
 for the lamp capsule with coating;  
 FIG. 2 is a front view thereof;  
 FIG. 3 is a rear view thereof;  
 FIG. 4 is a side view, the opposite side being the same;  
 FIG. 5 is a top view; and,  
 FIG. 6 is a bottom view.  
 The broken lines in the drawing illustrate portions of the  
 lamp capsule with coating which form no part of the claimed  
 design. The inventors reserve the right to claim any part,  
 portion, element or combination thereof of the disclosed  
 design.

**1 Claim, 4 Drawing Sheets**



(56)

**References Cited**

U.S. PATENT DOCUMENTS

9,068,710	B2	6/2015	Lai
9,150,144	B2	10/2015	Abe
D757,305	S	5/2016	Rice
9,396,925	B1	7/2016	Rice et al.
9,759,400	B2	9/2017	Rice
9,939,119	B2	4/2018	Lessard
10,066,801	B1	9/2018	Rice et al.
10,094,527	B1	10/2018	Bushre
2005/0047166	A1	3/2005	Skirha
2009/0052200	A1	2/2009	Tessnow et al.

OTHER PUBLICATIONS

Pending U.S. Appl. No. 16/150,470, now allowed, filed Oct. 3, 2018, by the inventors herein, assigned to present assignee.

\* cited by examiner

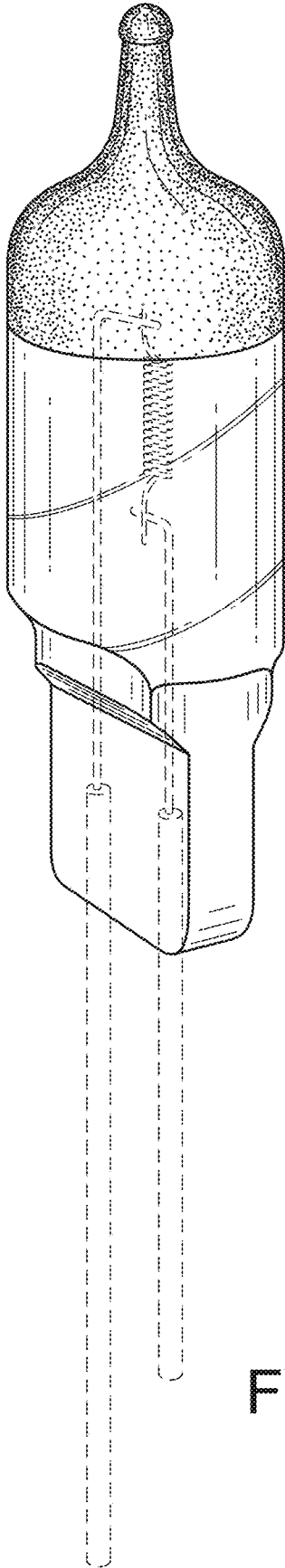


FIG. 1

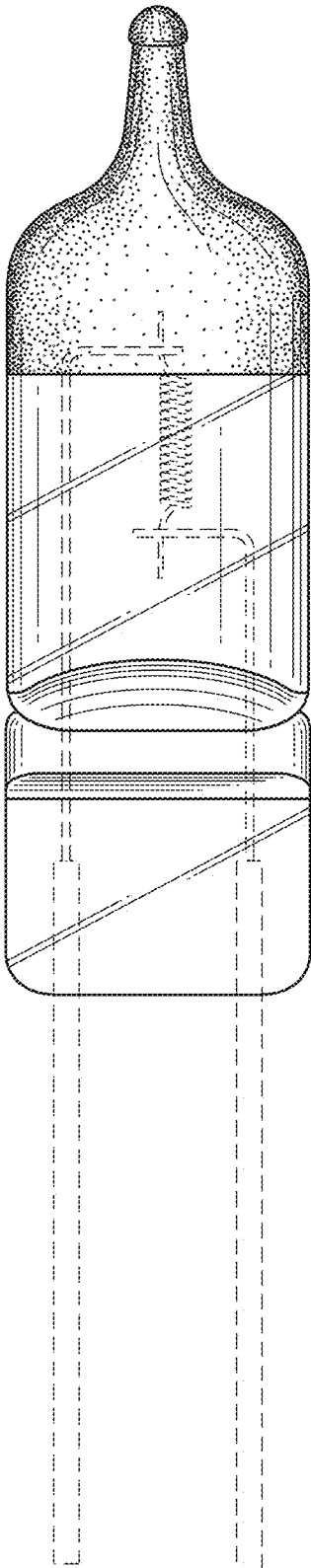


FIG. 2

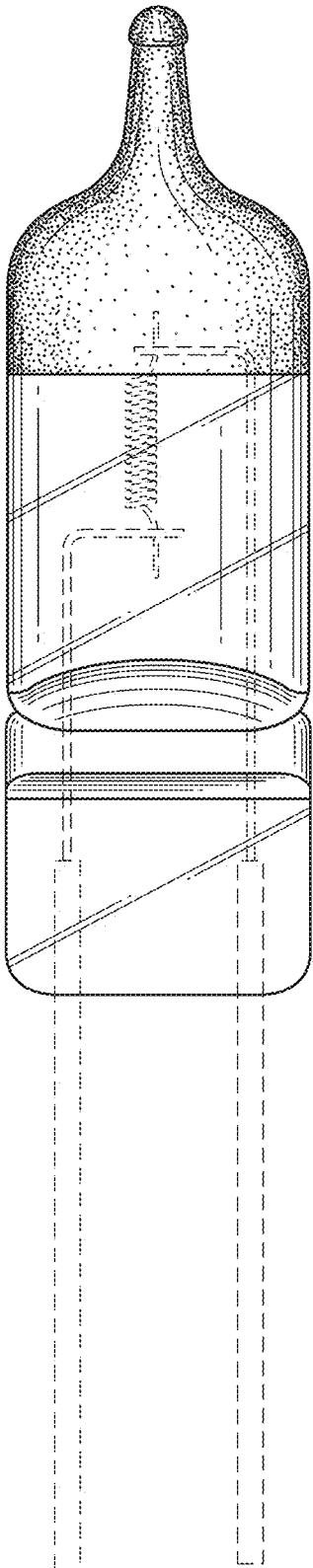


FIG. 3

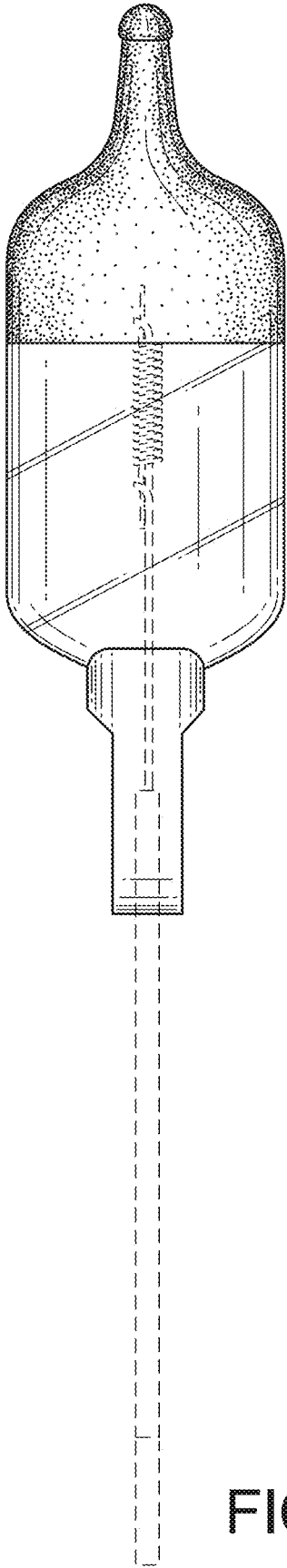


FIG. 4

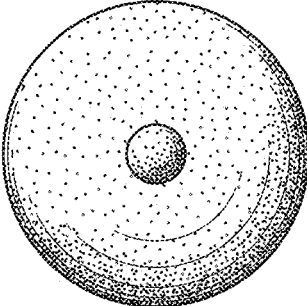


FIG. 5

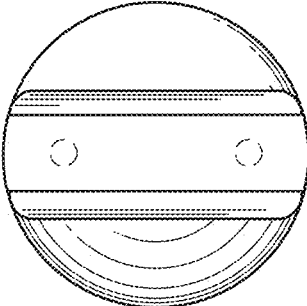


FIG. 6