



US00D969900S

(12) **United States Design Patent**
Lim et al.

(10) **Patent No.:** **US D969,900 S**

(45) **Date of Patent:** **** Nov. 15, 2022**

(54) **CAMERA LENS FILTER**

FOREIGN PATENT DOCUMENTS

(71) Applicant: **GoPro, Inc.**, San Mateo, CA (US)
(72) Inventors: **Way Chet Lim**, Menlo Park, CA (US);
Andrew Liu, San Carlos, CA (US);
Huy Phuong Nguyen, San Mateo, CA (US)

CA 19348 * 10/1953
CA 94050 * 11/2001
(Continued)

(73) Assignee: **GoPro, Inc.**, San Mateo, CA (US)

(**) Term: **15 Years**

(21) Appl. No.: **29/760,927**

(22) Filed: **Dec. 4, 2020**

Related U.S. Application Data

(63) Continuation of application No. 29/699,939, filed on Jul. 30, 2019, now Pat. No. Des. 904,498, which is a (Continued)

(51) **LOC (13) Cl.** **16-05**

(52) **U.S. Cl.**
USPC **D16/237**

(58) **Field of Classification Search**
USPC D8/349, 352, 354, 355, 363, 373-374, D8/382-383, 394-397, 399; D14/229, D14/238, 251, 253, 447, 451, 457; D16/219, 237-250; D7/392.1
CPC G02B 7/00-002; G02B 13/00; G03B 17/561-566; G03B 11/04; G03B 11/041; G03B 11/043; G03B 11/045; H04N 5/2251-2254; H01H 2231/046; F16B 37/068; F16B 33/002; F01N 13/009
See application file for complete search history.

(56) **References Cited**

U.S. PATENT DOCUMENTS

3,070,830 A * 1/1963 Schirmer A47B 95/02 16/416
D196,724 S * 10/1963 Davis, Jr. D24/129
(Continued)

OTHER PUBLICATIONS

Rodenstock Adapter, product availability unknown [online], no video/picture review [online], [site visited Jul. 8, 2022]; URL:<https://www.bhphotovideo.com/c/product/980230-REG/rodenstock_260041_lens_adapter_for_m39.html> (Year: 2022).*
(Continued)

Primary Examiner — Sanjeev Paul
Assistant Examiner — Loryn K. Leblanc
(74) *Attorney, Agent, or Firm* — Young Basile Hanlon & MacFarlane, P.C.

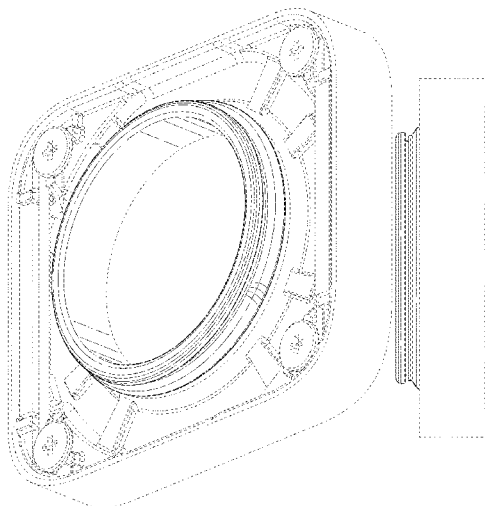
(57) **CLAIM**

The ornamental design for a camera lens filter, as shown and described.

DESCRIPTION

FIG. 1 is a front, top, and right side perspective view of a camera lens filter showing the new design; FIG. 2 is a rear, lower, and left side perspective view thereof; FIG. 3 is a front view thereof; FIG. 4 is a rear view thereof; FIG. 5 is a left view thereof; FIG. 6 is a right view thereof; FIG. 7 is a top view thereof; and, FIG. 8 is a bottom view thereof. Broken lines of equal length (e.g., dash-dash) depict portions of the camera lens filter that form no part of the claimed design.

1 Claim, 8 Drawing Sheets



Related U.S. Application Data

continuation of application No. 29/590,769, filed on Jan. 13, 2017, now Pat. No. Des. 861,766.

(56) **References Cited**

U.S. PATENT DOCUMENTS

D237,689 S * 11/1975 Davis D7/392.1
 4,302,078 A 11/1981 Stravitz
 D281,758 S * 12/1985 Trombly D7/629
 4,684,231 A 8/1987 Athy
 D306,461 S 3/1990 Evenson
 D347,885 S * 6/1994 Gustafsson D23/269
 D351,792 S 10/1994 Morris
 D359,352 S * 6/1995 van der Valk D24/105
 D360,020 S * 7/1995 Sonden C04B 35/63488
 D23/262
 D403,582 S 1/1999 Nask
 D403,583 S 1/1999 Nask
 5,896,993 A 4/1999 Nask
 D417,584 S * 12/1999 Lillelund D7/392.1
 6,454,444 B1 9/2002 Wang
 6,480,346 B2 11/2002 Funakoshi
 D477,104 S 7/2003 Wang
 6,802,418 B2 10/2004 Atkinson
 D500,037 S 12/2004 Ozolins
 D535,699 S 1/2007 Krapf
 D540,669 S 4/2007 George
 D542,288 S 5/2007 Andre
 D563,157 S * 3/2008 Bouveret D7/392.1
 D601,583 S 10/2009 Andre
 D610,412 S 2/2010 Matsumoto
 D621,397 S 8/2010 Andre
 D622,591 S 8/2010 Biesecker, II
 D623,560 S * 9/2010 Musuraca D12/160
 D631,948 S * 2/2011 Yoshida D23/269
 D638,522 S * 5/2011 Yoshida D23/269
 D641,098 S 7/2011 Wildner
 D643,863 S * 8/2011 Barnes D15/133
 D646,764 S * 10/2011 Rusconi D23/269
 D649,574 S 11/2011 Kobayashi
 D650,821 S * 12/2011 Verhey D16/134
 D656,654 S 3/2012 Wauters
 D668,374 S 10/2012 Wauters
 D675,173 S 1/2013 Paradise
 D684,718 S 6/2013 Ko
 D686,065 S 7/2013 Kuo
 D689,537 S 9/2013 Campbell
 D692,472 S 10/2013 Samuels
 D698,974 S 2/2014 Anisierowicz
 D699,275 S 2/2014 Samuels
 D702,393 S 4/2014 Anisierowicz
 D702,754 S 4/2014 Bould
 D703,354 S 4/2014 Kotsis
 D710,921 S 8/2014 Gioscia
 D730,570 S * 5/2015 Chen D26/128
 9,042,719 B2 * 5/2015 Xu G03B 17/566
 359/903
 D733,787 S 7/2015 Baker
 D733,788 S 7/2015 Baker
 D735,260 S 7/2015 Bould
 D740,868 S 10/2015 Gioscia
 D741,394 S 10/2015 Gioscia
 D745,480 S 12/2015 Mathews
 D754,240 S 4/2016 Samuels
 D754,319 S 4/2016 Park
 D757,525 S * 5/2016 Glasband D8/360
 D759,287 S 6/2016 Chen
 D764,419 S 8/2016 Kashimoto
 9,432,561 B2 8/2016 Samuels
 D765,508 S 9/2016 Wu
 9,451,727 B2 9/2016 Tolbert
 D769,234 S 10/2016 Rami
 D769,346 S 10/2016 Nguyen
 D769,366 S 10/2016 Hiraguchi
 9,507,245 B1 11/2016 Druker
 D773,546 S 12/2016 Nguyen

D775,627 S 1/2017 Yang
 D777,683 S 1/2017 Kashimoto
 D777,821 S 1/2017 Gioscia
 D778,335 S 2/2017 Gioscia
 D778,336 S 2/2017 Gioscia
 D780,137 S 2/2017 Tallqvist
 D789,435 S 6/2017 Nguyen
 D790,002 S 6/2017 Nguyen
 D794,696 S 8/2017 Nguyen
 D796,012 S * 8/2017 Hagano D23/269
 D797,100 S 9/2017 Wieser
 D800,820 S 10/2017 Bergman
 D805,117 S 12/2017 Nguyen
 D808,565 S 1/2018 Ambrozus
 D820,083 S 6/2018 Daley
 D821,481 S 6/2018 Gioscia
 D829,554 S 10/2018 Liston
 D834,012 S 11/2018 Bolmstrand
 D834,236 S 11/2018 Amato
 D839,664 S 2/2019 Pentelovitch
 D840,463 S 2/2019 Nguyen
 D843,209 S 3/2019 Daley
 D850,187 S 6/2019 Pentelovitch
 D861,766 S * 10/2019 Lim D16/237
 D862,779 S 10/2019 Anderson
 D874,423 S 2/2020 Wu
 D875,972 S 2/2020 Li
 D876,176 S 2/2020 Pentelovitch
 D876,178 S 2/2020 Pentelovitch
 D884,061 S 5/2020 Arens
 D884,130 S * 5/2020 Williams F16L 19/10
 D23/269
 D895,076 S * 9/2020 Kuroda D23/269
 D904,498 S * 12/2020 Lim D16/237
 D913,037 S * 3/2021 Jordan D7/392.1
 D914,484 S * 3/2021 Scarlett D8/349
 D914,492 S * 3/2021 Linder D8/399
 2006/0255041 A1 11/2006 Parks
 2010/0208434 A1 8/2010 Kim
 2013/0107111 A1 5/2013 Campbell
 2015/0060446 A1 * 3/2015 Park B65D 81/2038
 220/345.6
 2016/0252801 A1 9/2016 Harrison
 2017/0010518 A1 1/2017 Tang
 2017/0057711 A1 3/2017 Miller
 2017/0168374 A1 * 6/2017 Lim G03B 17/55
 2018/0016065 A1 1/2018 Ho
 2018/0084160 A1 3/2018 Miyashita
 2019/0158742 A1 5/2019 Woodman
 2019/0345747 A1 11/2019 Coons

FOREIGN PATENT DOCUMENTS

CA 112821 * 8/2007
 CN 302456672 * 6/2013
 CN 304565936 * 4/2018
 CN 305921543 * 7/2020
 JP D1230897 * 2/2005
 JP D1524808 * 6/2015
 KR 300466913.0000 * 10/2007
 KR 301050153.0000 * 3/2020

OTHER PUBLICATIONS

Zwo T2 to T2 Adapter, product availability unknown [online], no video/picture review [online], [site visited Jul. 8, 2022]:URL:<https://www.highpointscientific.com/zwo-t2-to-t2-adapter> (Year: 2022).
 Haoge Lens Filter Adapter Ring, product availability Mar. 12, 2020 [online], no video/picture review [online], [site visited Jul. 8, 2022]:URL:<https://www.amazon.com/Haoge-Adapter-Fujifilm-FinePix-Replace/dp/B085VRM4S8> (Year: 2020).
 #10 Front Protective Lens Removal and Replacement—GoPro Hero 5 Black, video review Dec. 4, 2016 [online], [site visited Jul. 8, 2022]:URL:<https://www.youtube.com/watch?v=oFK9VgPiQXk> (Year: 2016).
 Hero10 & Hero9 PolarPro® Shutter Collection, product availability unknown [online], no video/picture review [online], [site visited

(56)

References Cited

OTHER PUBLICATIONS

Jul. 8, 2022]; URL: <<https://gopro.com/en/us/shop/mounts-accessories/polarpro-shutter-collection/APPRO-005.html>> (Year: 2022).*

Front Lens Cover GoPro Hero5 Hero6, published Sep. 28, 2016 [online], [retrieved Sep. 3, 2018], Available from Internet, URL: <<https://www.youtube.com/watch?v=MZONvHRBpIA>> at approximately 0:20, 1 page.

Front Protective Lens Removal and Replacement—GoPro Hero 5 Black, published Dec. 4, 2016 [online], [retrieved Sep. 3, 2018], Available from Internet, URL: <<https://www.youtube.com/watch?v=oFK9VgPiQXk>> at approximately 0:12, 1 page.

* cited by examiner

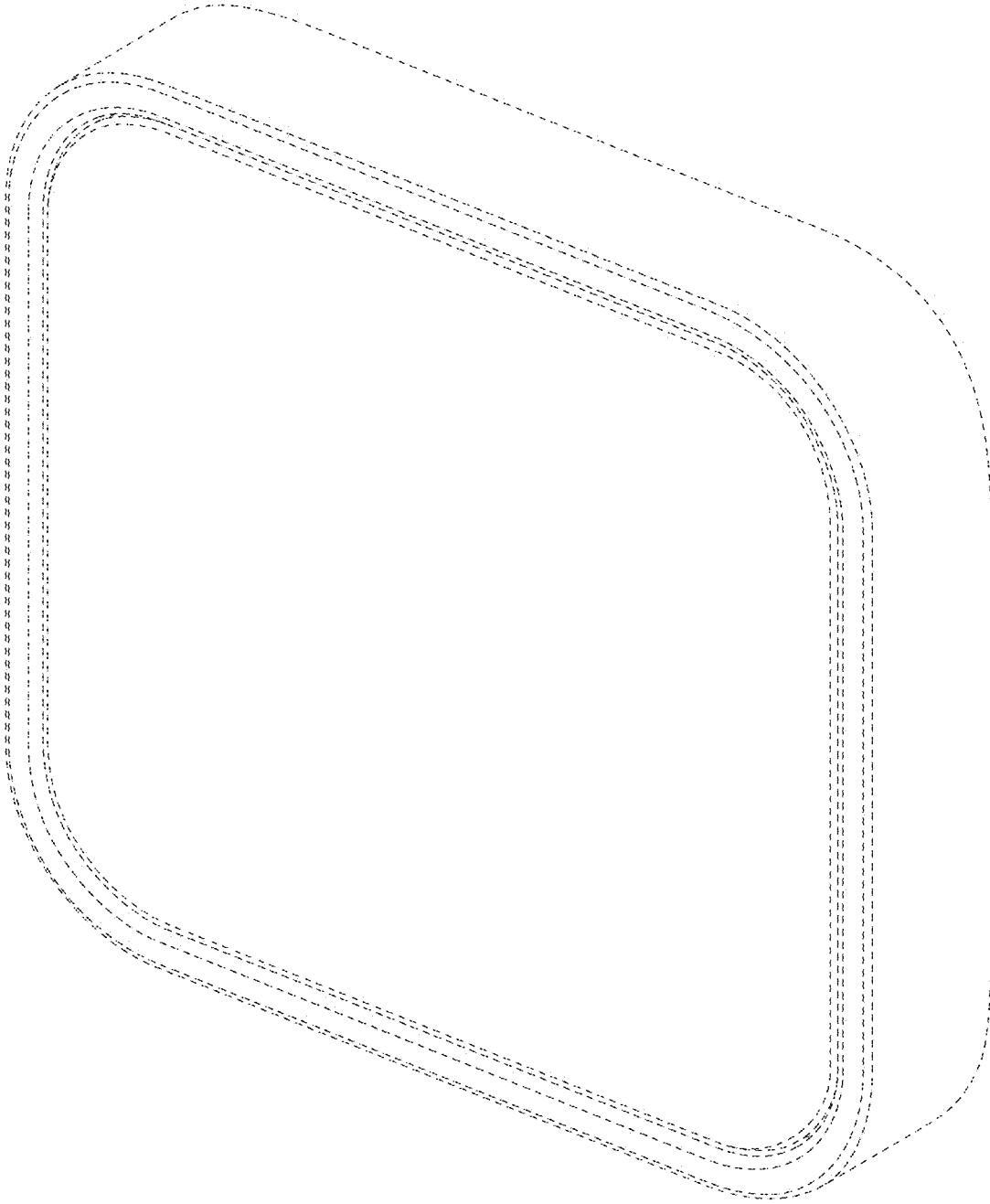


FIG. 1

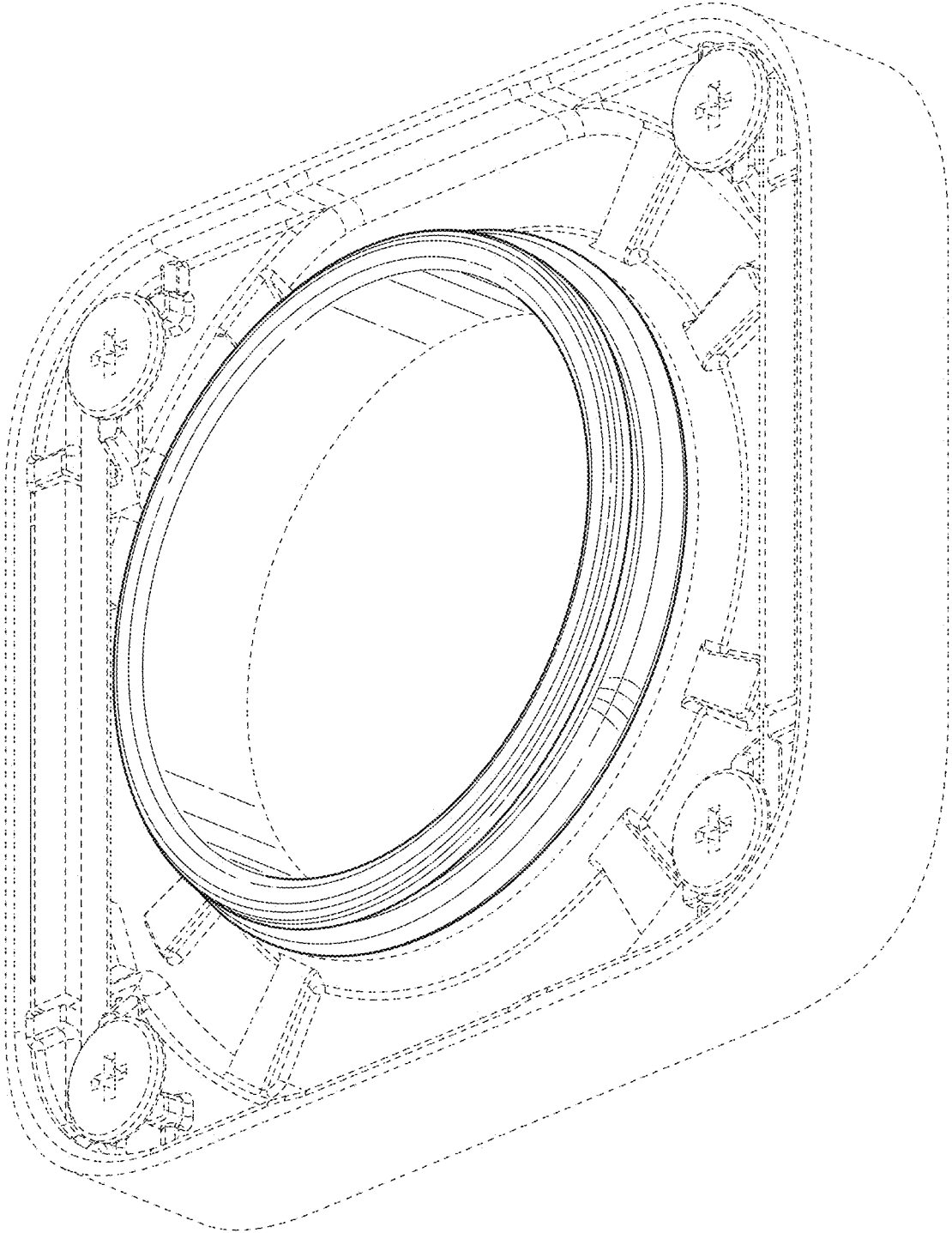


FIG. 2

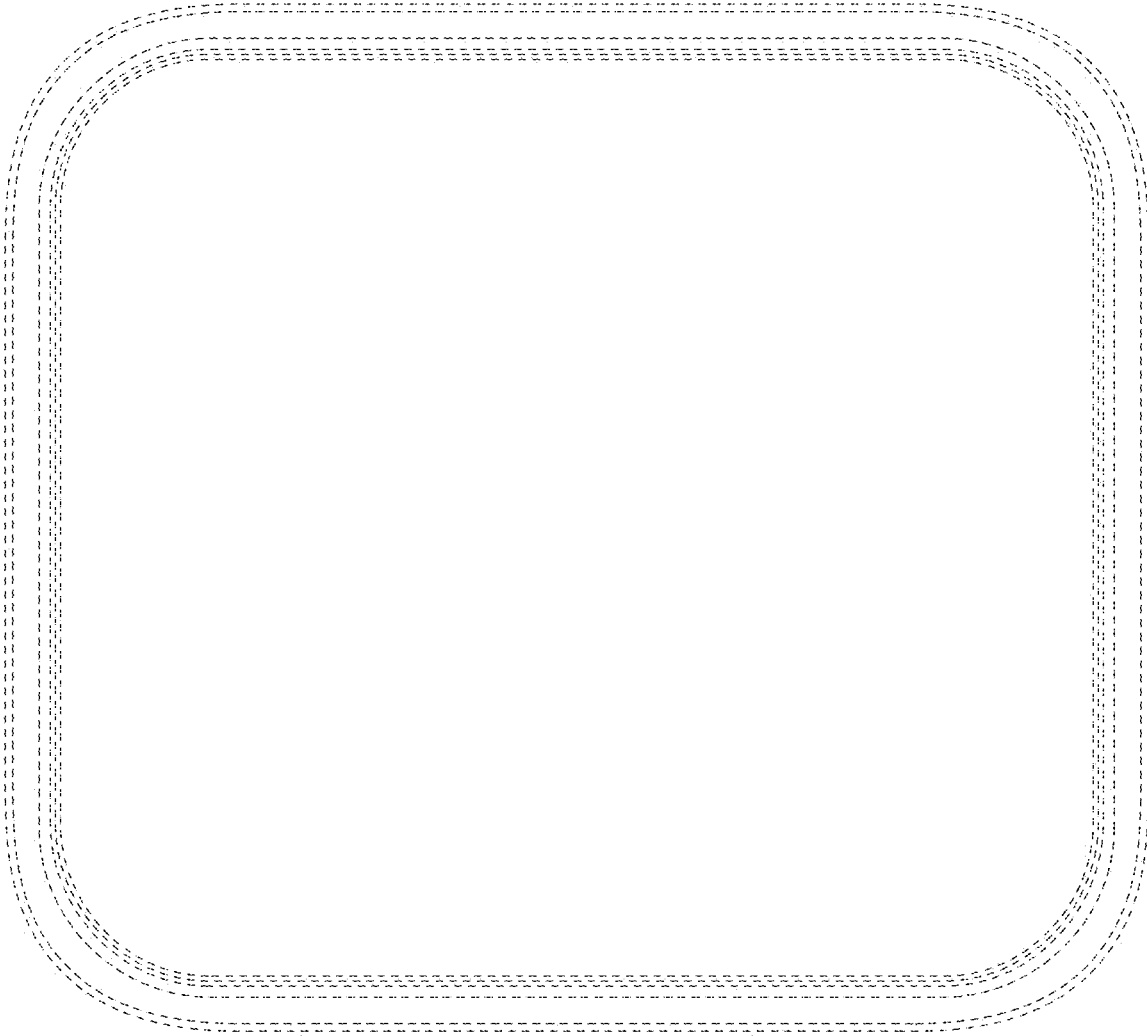


FIG. 3

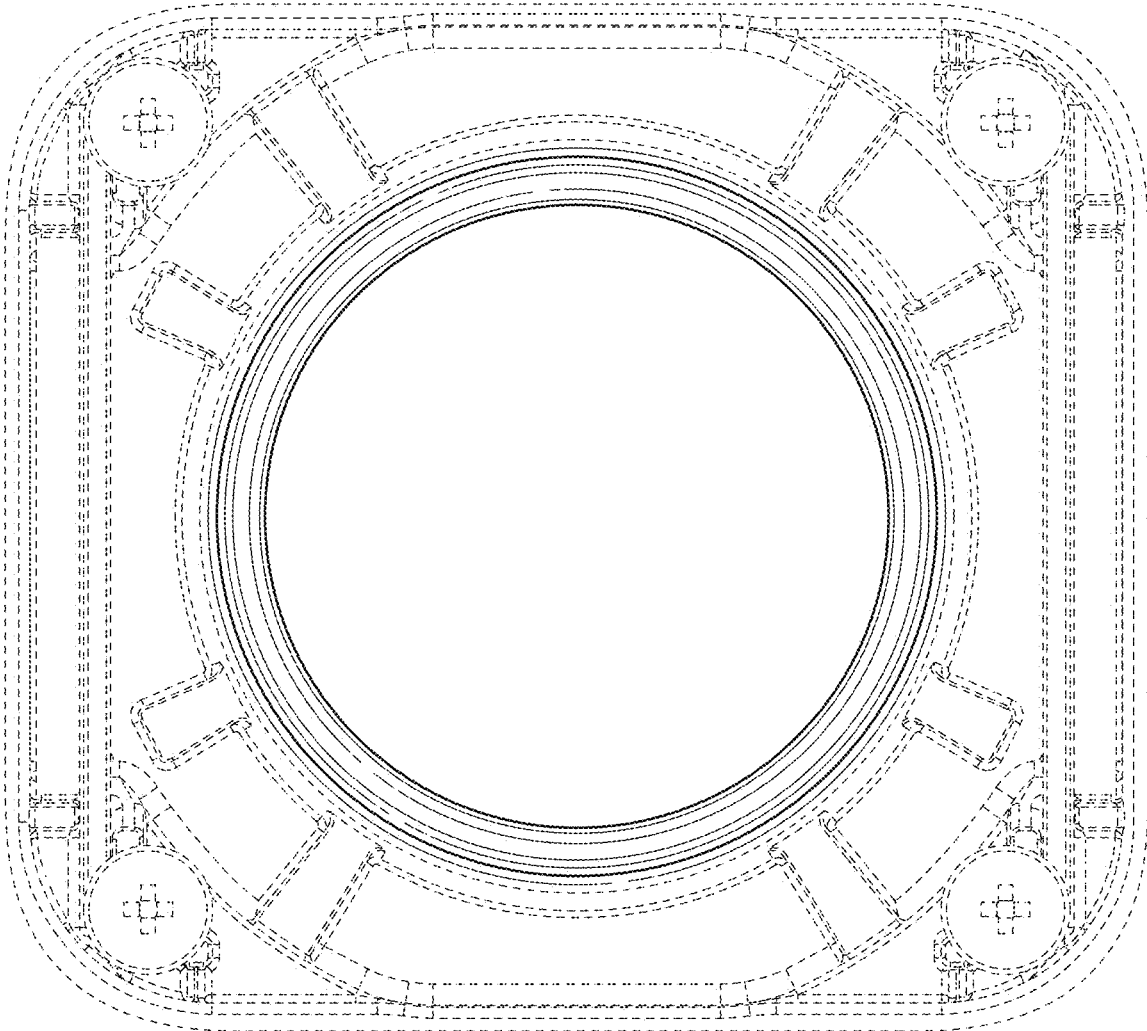


FIG. 4

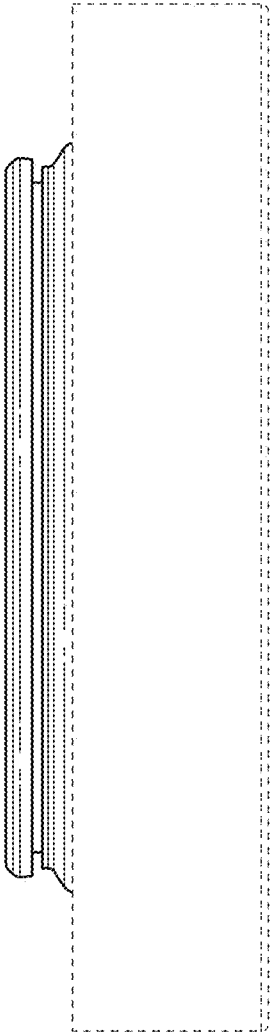


FIG. 5

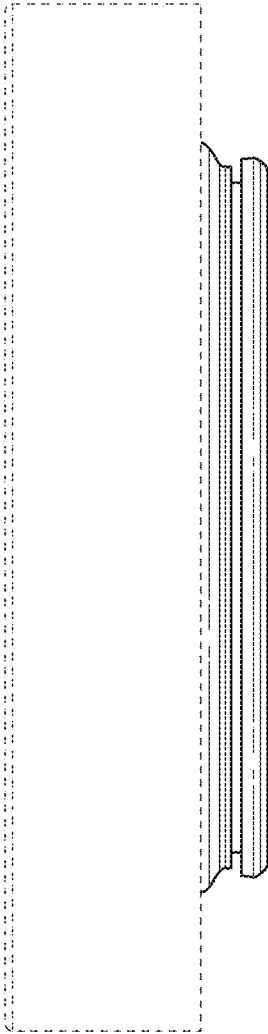


FIG. 6



FIG. 7

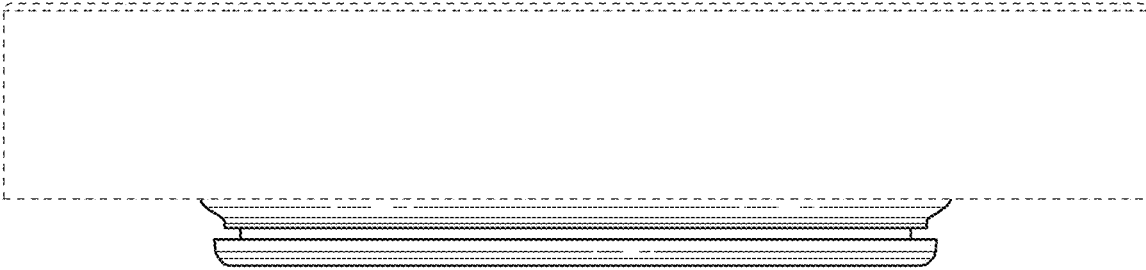


FIG. 8