



US00D892243S

(12) **United States Design Patent**
Rollinson et al.

(10) **Patent No.:** **US D892,243 S**

(45) **Date of Patent:** **** Aug. 4, 2020**

(54) **PUTTER HEAD**

(71) Applicant: **Callaway Golf Company**, Carlsbad, CA (US)

(72) Inventors: **Augustin W. Rollinson**, Solana Beach, CA (US); **Wee Joung Kim**, Vista, CA (US)

(73) Assignee: **Callaway Golf Company**, Carlsbad, CA (US)

(**) Term: **15 Years**

(21) Appl. No.: **29/685,135**

(22) Filed: **Mar. 26, 2019**

(51) **LOC (12) Cl.** **21-02**

(52) **U.S. Cl.**
USPC **D21/743**

(58) **Field of Classification Search**
USPC D21/736-746
CPC A63B 53/00; A63B 53/04; A63B 53/007;
A63B 53/065; A63B 53/0487; A63B
60/00; A63B 60/46
See application file for complete search history.

(56) **References Cited**

U.S. PATENT DOCUMENTS

D595,370 S *	6/2009	Ines	D21/736
D600,295 S *	9/2009	Meeks	D21/744
D600,762 S *	9/2009	Serrano	D21/743
D606,139 S *	12/2009	Ines	D21/736
D607,952 S *	1/2010	Demkowski	D21/743
D627,840 S *	11/2010	Cameron	D21/736
D638,891 S *	5/2011	Nicolette	D21/736

D643,485 S *	8/2011	Nicolette	D21/736
D701,928 S *	4/2014	Cameron	D21/736
D783,745 S *	4/2017	Chen	D21/743
D809,616 S *	2/2018	Toulon	D21/736
D824,462 S *	7/2018	Bruschi	D21/736
D835,217 S *	12/2018	Nicolette	D21/736
D837,911 S *	1/2019	Bruschi	D21/736
D844,085 S *	3/2019	Nicolette	D21/743
D844,723 S *	4/2019	Nicolette	D21/743
D859,545 S *	9/2019	Long	D21/736
D861,091 S *	9/2019	Glorioso	D21/743
D877,831 S *	3/2020	Cameron	D21/736

* cited by examiner

Primary Examiner — Mitchell I. Siegel

(74) *Attorney, Agent, or Firm* — Rebecca Hanovice; Michael Catania; Sonia Lari

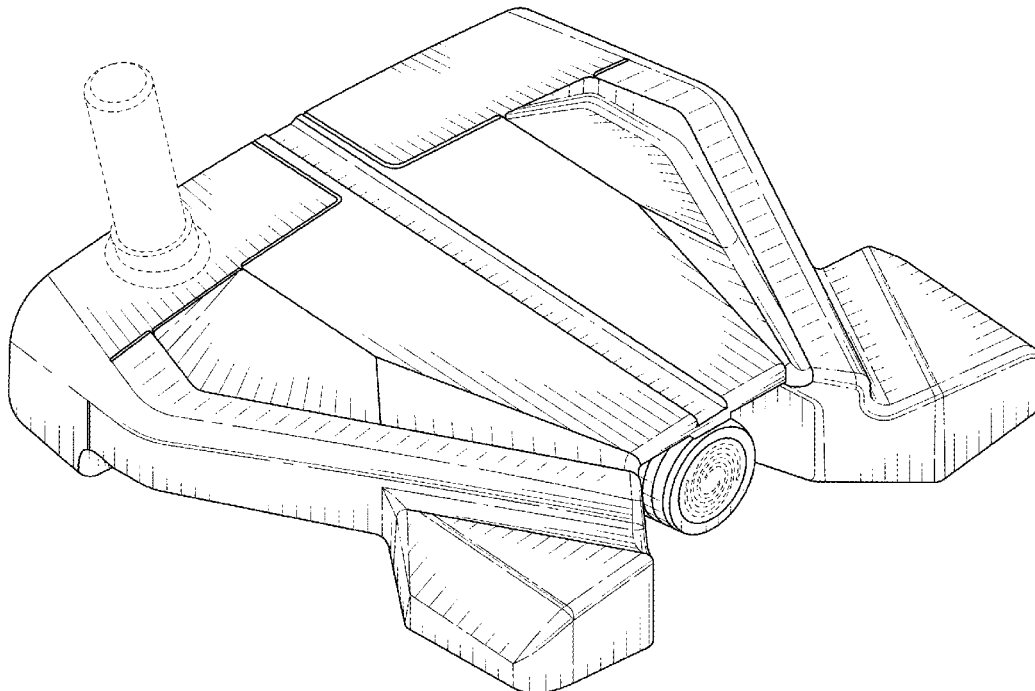
(57) **CLAIM**

The ornamental design for a putter head, as shown and described.

DESCRIPTION

FIG. 1 is a rear perspective view of the putter head claimed herein;
FIG. 2 is a rear elevational view thereof;
FIG. 3 is a front elevational view thereof;
FIG. 4 is a right side elevational view thereof;
FIG. 5 is a left side elevational view thereof;
FIG. 6 is a top plan view thereof; and,
FIG. 7 is a bottom plan view thereof.
The broken lines shown are included for the purpose of illustrating unclaimed subject matter and forms no part of the claimed design.

1 Claim, 5 Drawing Sheets



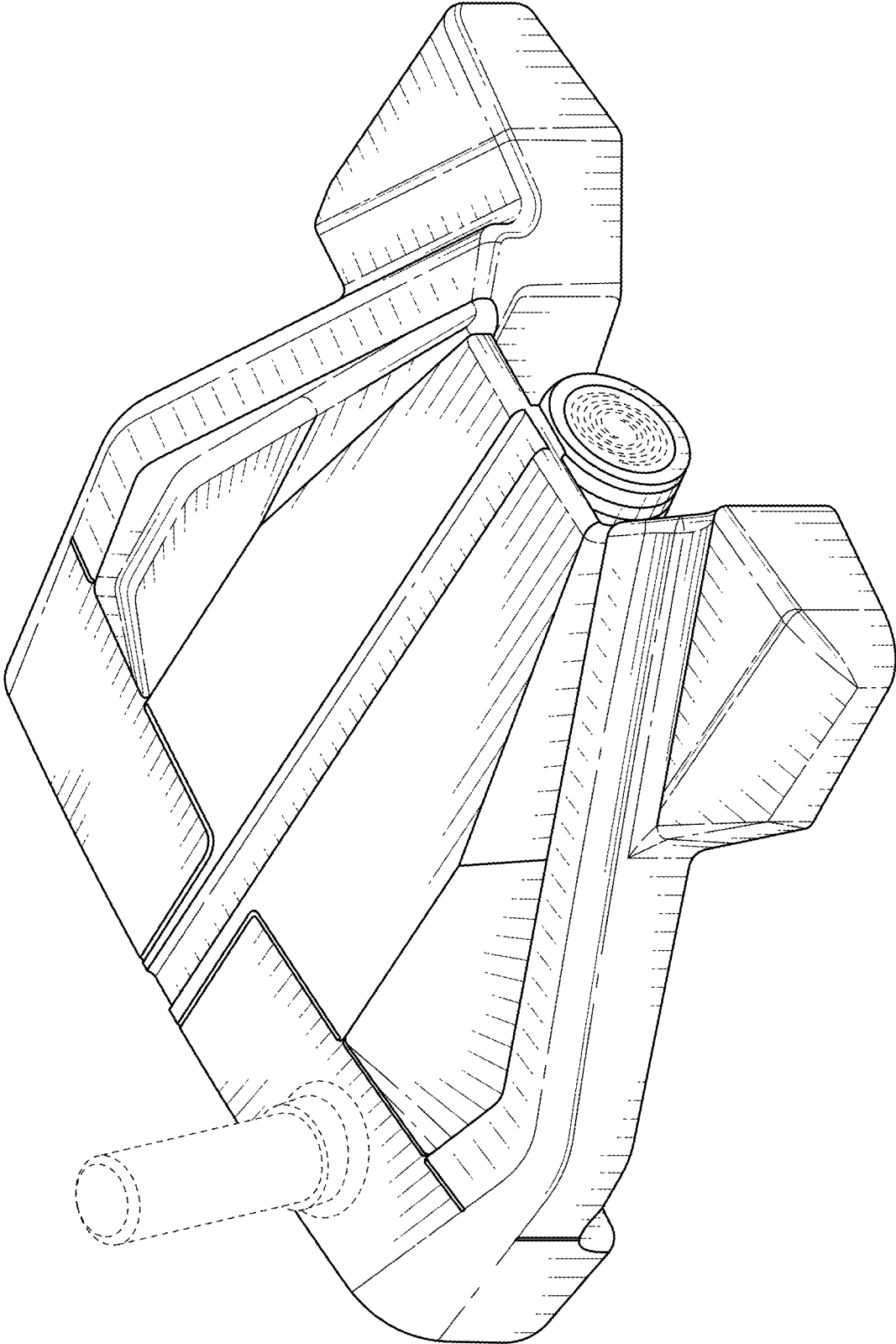


FIG. 1

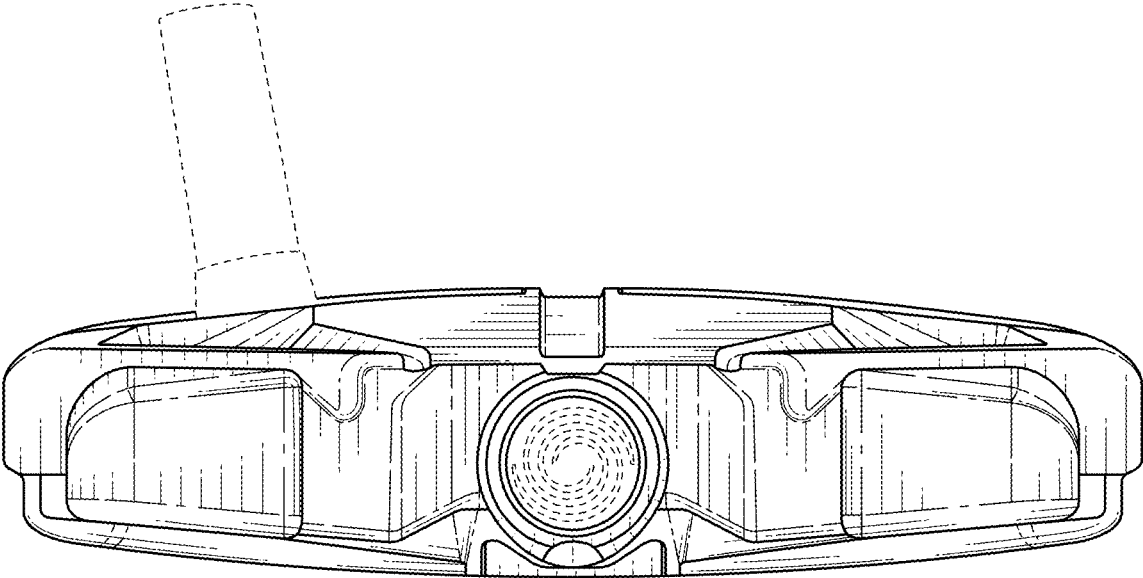


FIG. 2

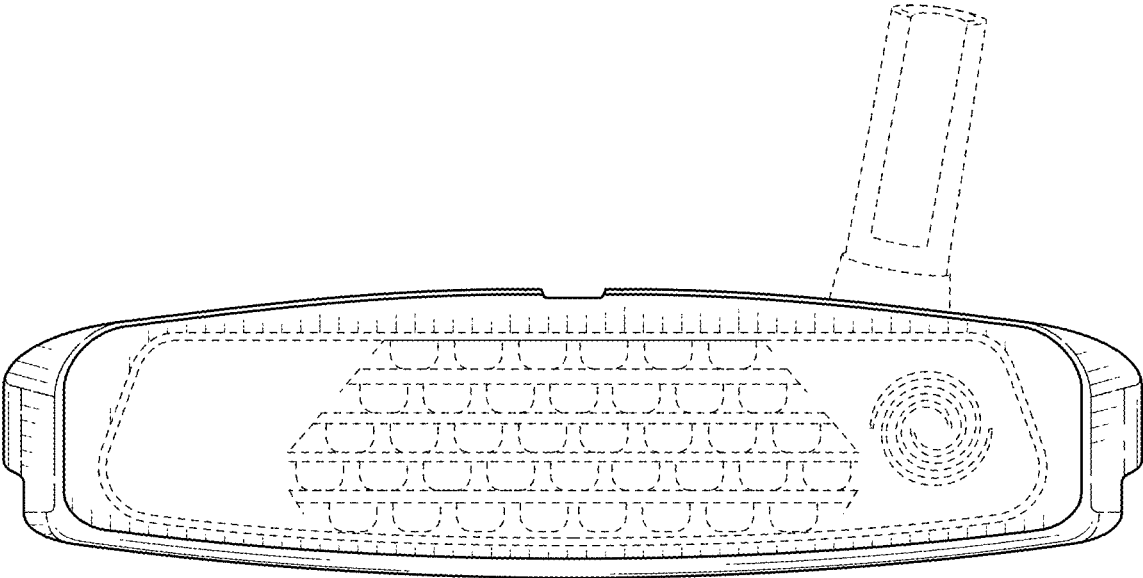


FIG. 3

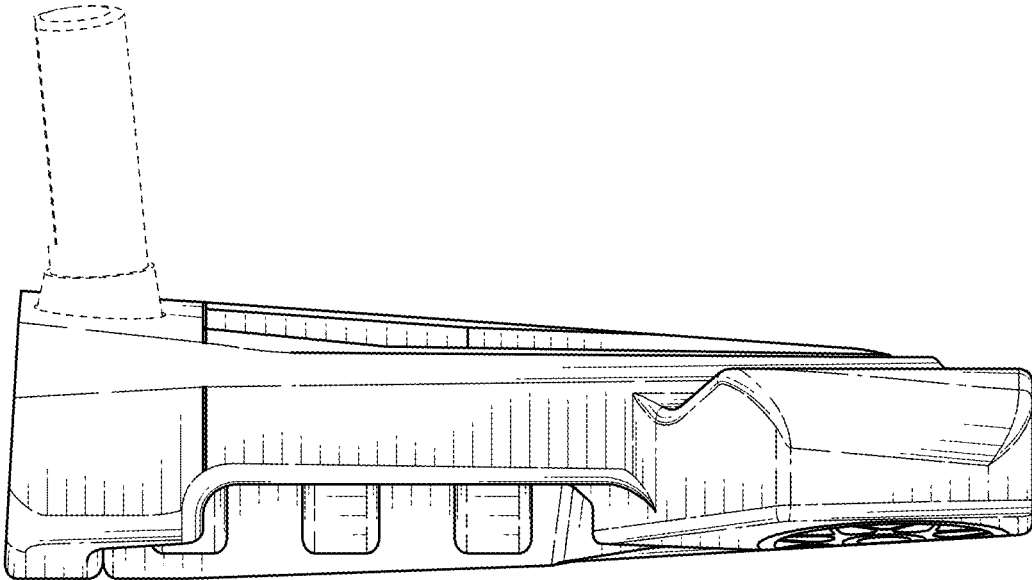


FIG. 4

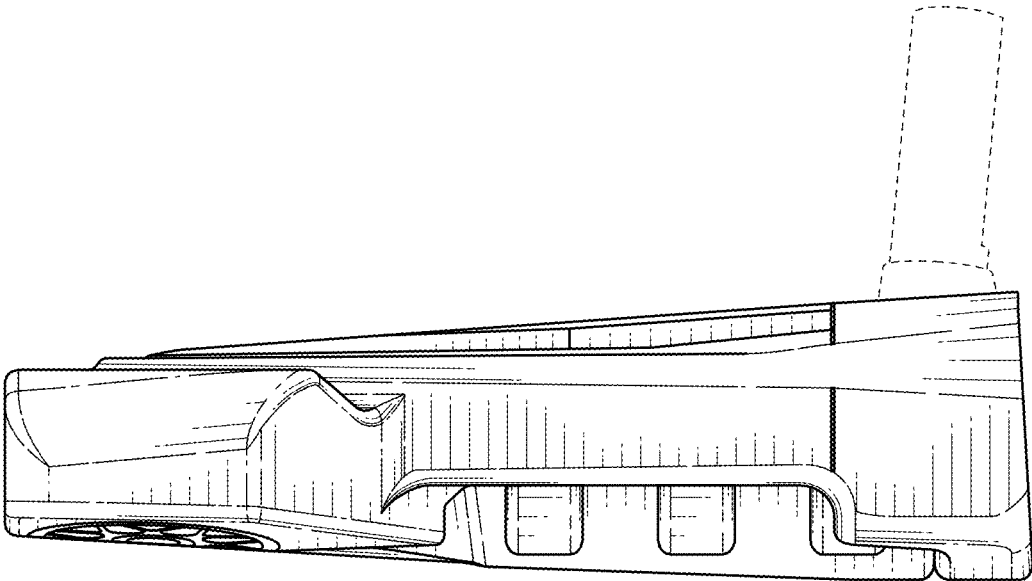


FIG. 5

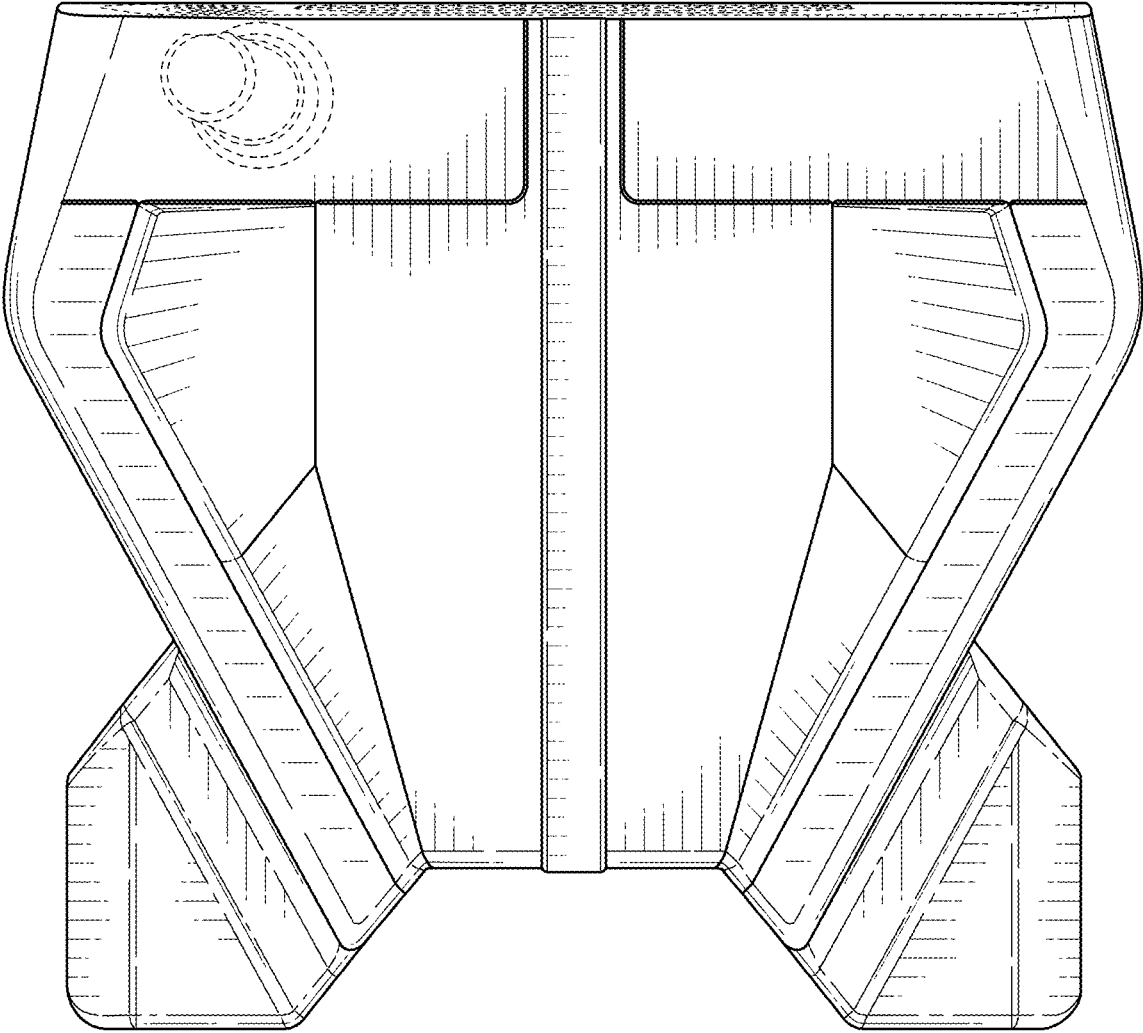


FIG. 6

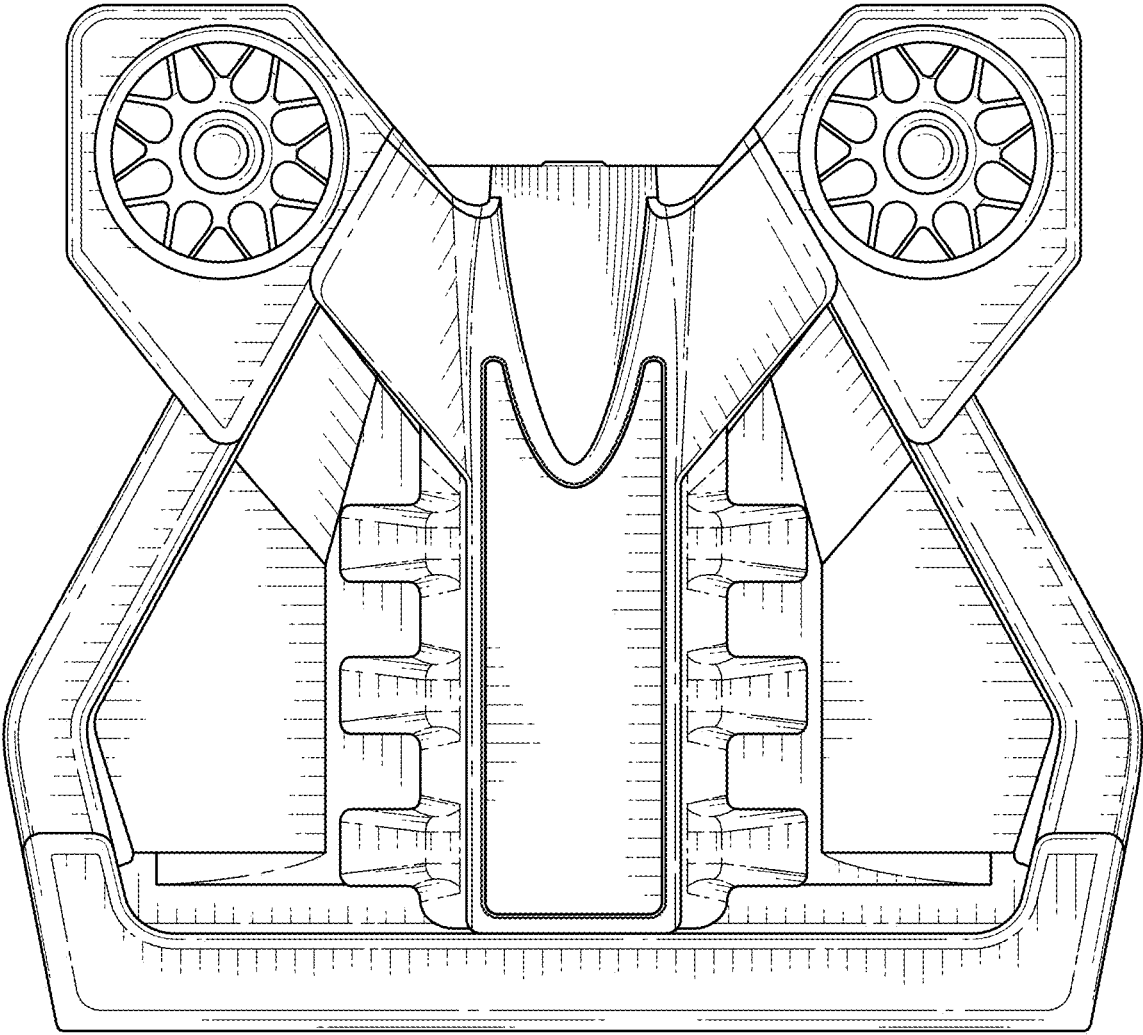


FIG. 7