



US00D539588S

(12) **United States Design Patent**
Picache

(10) **Patent No.:** **US D539,588 S**

(45) **Date of Patent:** **** Apr. 3, 2007**

(54) **COVER FOR WATER COOLER BOTTLE**

(76) Inventor: **Jaime G. Picache**, 16802 126th Ter. N.,
Jupiter, FL (US) 33478

(**) Term: **14 Years**

(21) Appl. No.: **29/260,213**

(22) Filed: **May 22, 2006**

(51) **LOC (8) Cl.** **06-13**

(52) **U.S. Cl.** **D6/610; D6/615**

(58) **Field of Classification Search** D6/610-625,
D6/329, 596, 603-5, 592-6; D2/826, 500-8;
297/219.1, 219.12, 224, 229

See application file for complete search history.

(56) **References Cited**

U.S. PATENT DOCUMENTS

2,142,301 A *	1/1939	Buchalter	428/542.6
3,906,129 A *	9/1975	Damois	428/99
D266,056 S *	9/1982	Lear	D9/444
D280,438 S *	9/1985	Wendt	D23/304
D289,614 S *	5/1987	Sanchez et al.	D9/443
4,834,250 A *	5/1989	Dumbeck et al.	222/183
4,892,771 A *	1/1990	Rowland	428/74
4,947,794 A *	8/1990	Baldwin	119/470

5,356,046 A *	10/1994	Burke	222/156
D396,772 S *	8/1998	Hanzok	D6/610
D438,425 S *	3/2001	Agnew	D7/392

* cited by examiner

Primary Examiner—Louis S. Zarfaz

Assistant Examiner—Susan E. Krakower

(74) *Attorney, Agent, or Firm*—Robert M. Downey, PA

(57) **CLAIM**

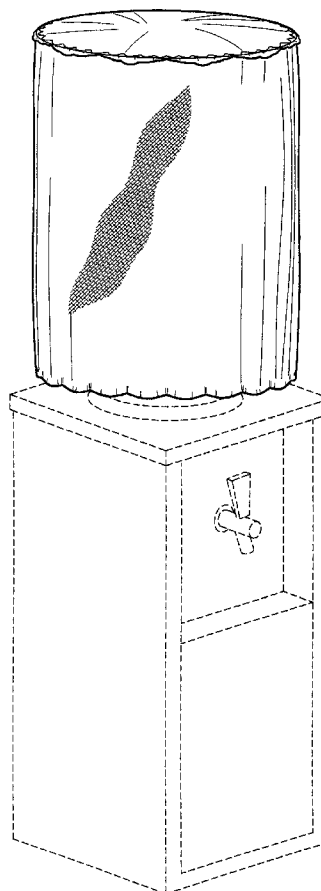
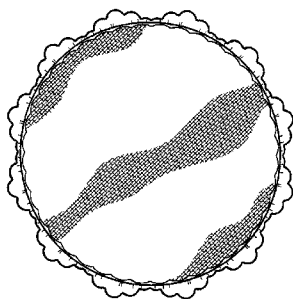
The ornamental design for a cover for water cooler bottle, as shown and described.

DESCRIPTION

FIG. 1 is a front elevational view of a cover for a water cooler bottle showing my new design, the left side, right side, and rear elevational views being identical thereto; FIG. 2 is top plan view thereof; FIG. 3 is a bottom plan view thereof; and, FIG. 4 is a perspective view showing the cover for a water cooler bottle installed on a water cooler to cover the water bottle.

The broken line showing of a water cooler is included for the purpose of illustrating environmental structure and forms no part of the claimed design.

1 Claim, 2 Drawing Sheets



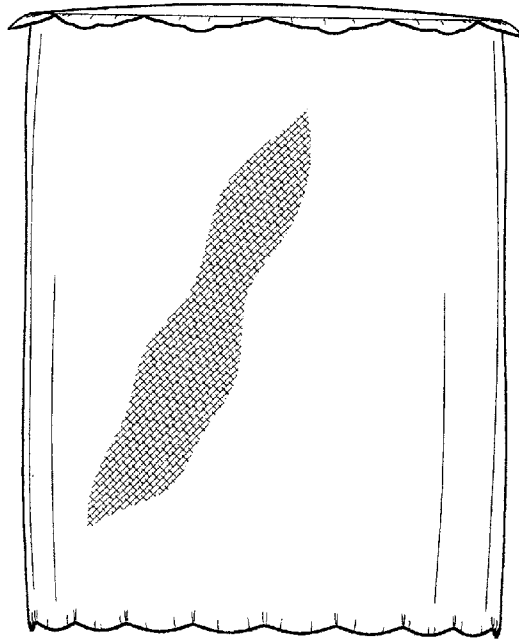


FIG. 1

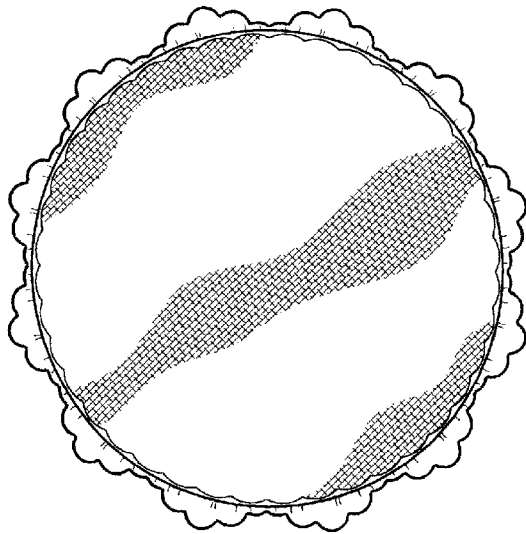


FIG. 2

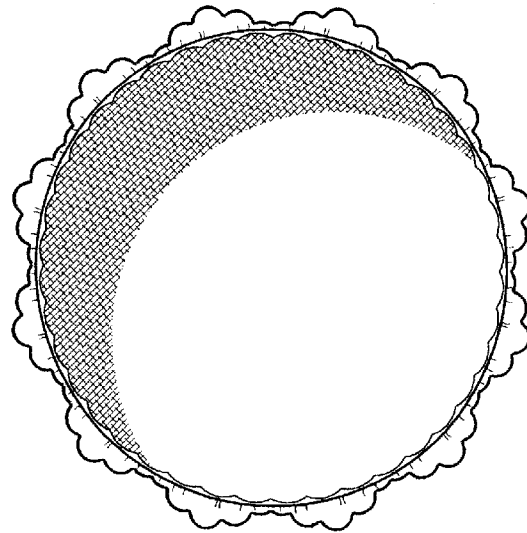


FIG. 3

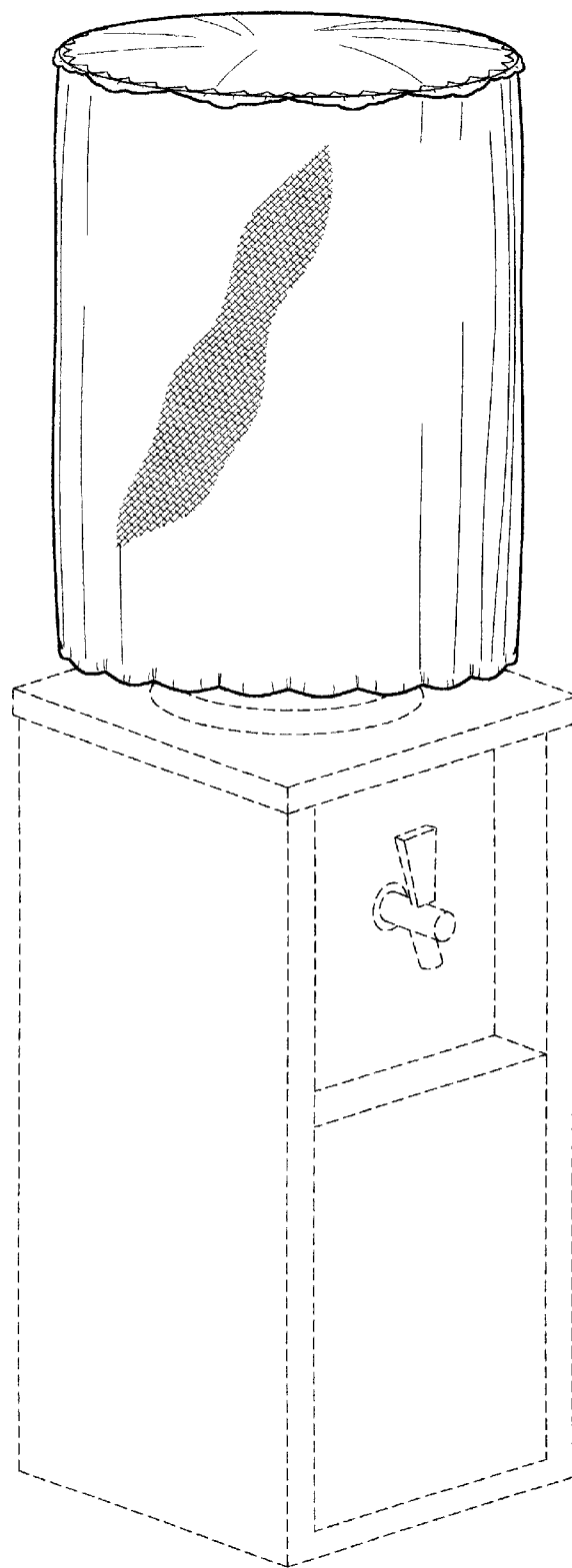


FIG. 4