



US00D896335S

(12) **United States Design Patent**  
**Mayer**

(10) **Patent No.:** **US D896,335 S**

(45) **Date of Patent:** **\*\* Sep. 15, 2020**

- (54) **PLAYGROUND GLIDER**
- (71) Applicant: **BCI Burke Company, LLC**, Fond du Lac, WI (US)
- (72) Inventor: **Bart Mayer**, Fond du Lac, WI (US)
- (73) Assignee: **BCI Burke Company, LLC**, Fond du Lac, WI (US)
- (\*\*) Term: **15 Years**
- (21) Appl. No.: **29/680,830**
- (22) Filed: **Feb. 20, 2019**
- (51) **LOC (12) Cl.** ..... **21-03**
- (52) **U.S. Cl.**  
USPC ..... **D21/823**
- (58) **Field of Classification Search**  
USPC ..... D21/811, 814, 822-825, 831-833  
CPC ..... A63G 9/00-9/22  
See application file for complete search history.

- 7,892,151 B2 \* 2/2011 Colk ..... A63B 7/00  
482/143
- 8,672,770 B2 \* 3/2014 Matt ..... A63G 9/14  
472/118
- D728,721 S \* 5/2015 Diego ..... D21/823
- 9,511,296 B2 \* 12/2016 Bertschy ..... A63G 9/00
- D778,381 S \* 2/2017 Bertschy ..... D21/823
- 9,833,680 B2 \* 12/2017 Claustre ..... A63B 69/0064
- D810,853 S \* 2/2018 Bertschy ..... D21/823

(Continued)

*Primary Examiner* — Mitchell I. Siegel  
(74) *Attorney, Agent, or Firm* — Boyle Fredrickson S.C.

(57) **CLAIM**

The ornamental design for a playground glider, substantially as shown and described.

**DESCRIPTION**

FIG. 1 is a perspective view of a playground glider according to the present invention; shown in use on an unclaimed swing set;  
 FIG. 2 is an enlarged perspective view of the playground glider of FIG. 1;  
 FIG. 3 is a front side elevation view of the playground glider of FIG. 2;  
 FIG. 4 is a rear side elevation view of the playground glider of FIG. 2;  
 FIG. 5 is a left side elevation view of the playground glider of FIG. 2;  
 FIG. 6 is a right side elevation view of the playground glider of FIG. 2;  
 FIG. 7 is a top plan view of the playground glider of FIG. 2; and,  
 FIG. 8 is a bottom plan view of the playground glider of FIG. 2.

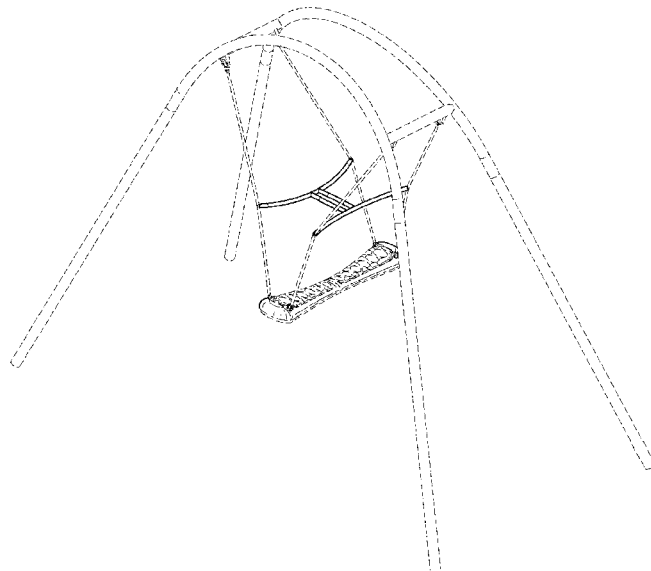
The broken lines are for illustrative purposes and represent environmental structure and unclaimed portions of the invention and therefore form no part of the claimed design.

**1 Claim, 8 Drawing Sheets**

(56) **References Cited**

U.S. PATENT DOCUMENTS

D106,871 S *	11/1937	Spangler	.....	D21/823
D123,491 S *	11/1940	Smith	.....	D21/823
D136,786 S *	12/1943	Schumaker	.....	D21/823
2,464,446 A *	3/1949	Helms	.....	A47D 13/105 472/120
D255,374 S *	6/1980	Smith	.....	D21/823
4,289,310 A *	9/1981	Weakly	.....	A63G 9/12 472/118
5,067,706 A *	11/1991	Tsai	.....	A63G 9/00 472/118
D331,092 S *	11/1992	Coddington, Jr.	.....	D21/823
D340,275 S *	10/1993	Haun	.....	D21/823
D355,013 S *	1/1995	Schechner	.....	D21/823
D358,618 S *	5/1995	Ryaa	.....	D21/823
6,932,710 B1 *	8/2005	Hartin	.....	A63B 7/00 472/118
D619,187 S *	7/2010	Couch	.....	D21/823



(56)

**References Cited**

U.S. PATENT DOCUMENTS

D859,561	S *	9/2019	Nordin .....	D21/823
D859,562	S *	9/2019	Nordin .....	D21/823
D863,486	S *	10/2019	Blackwood .....	D21/823
10,625,169	B1 *	4/2020	Mayer .....	A63G 9/02
2011/0263344	A1 *	10/2011	Brown .....	A63G 9/00 472/118

\* cited by examiner

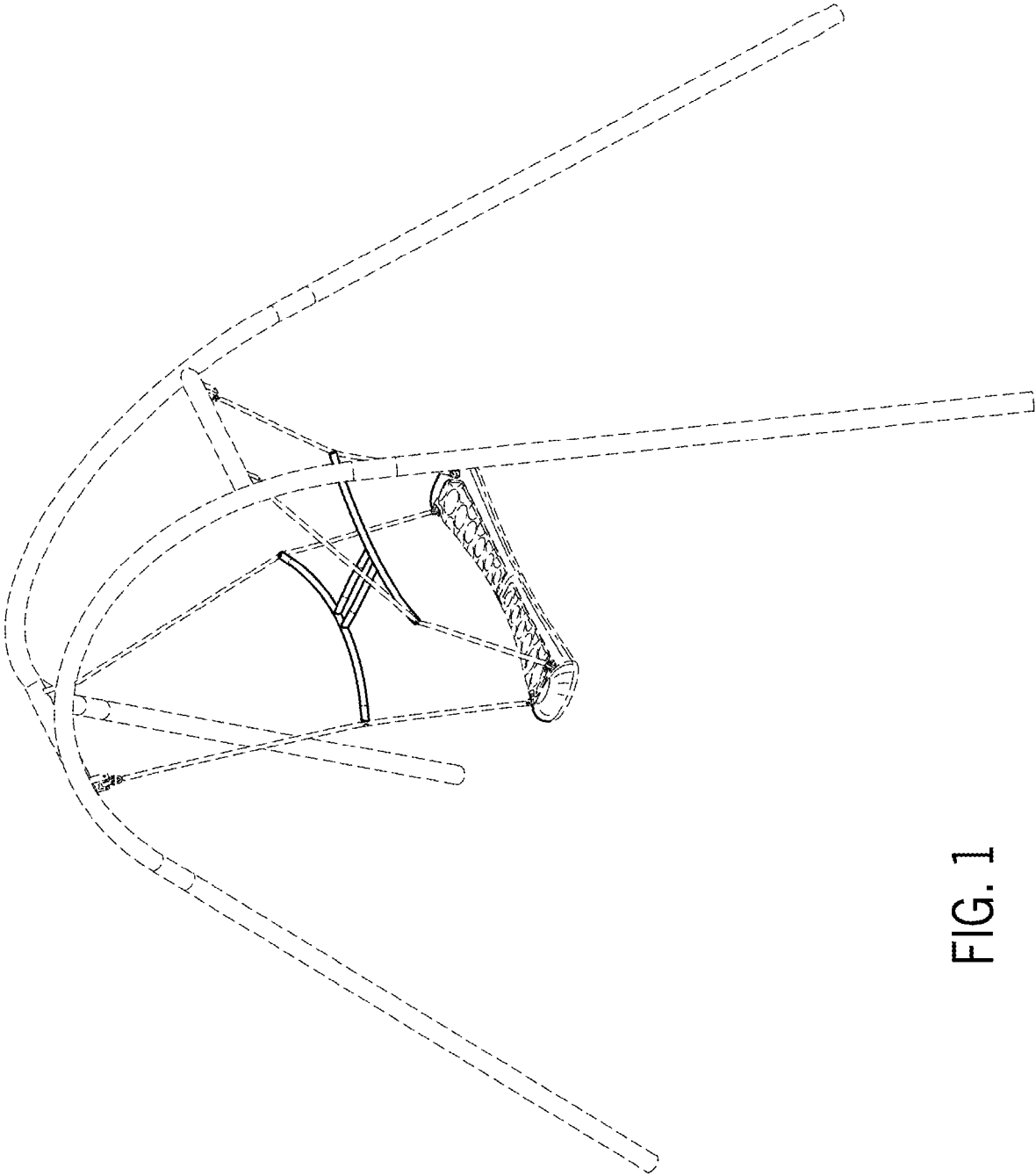


FIG. 1

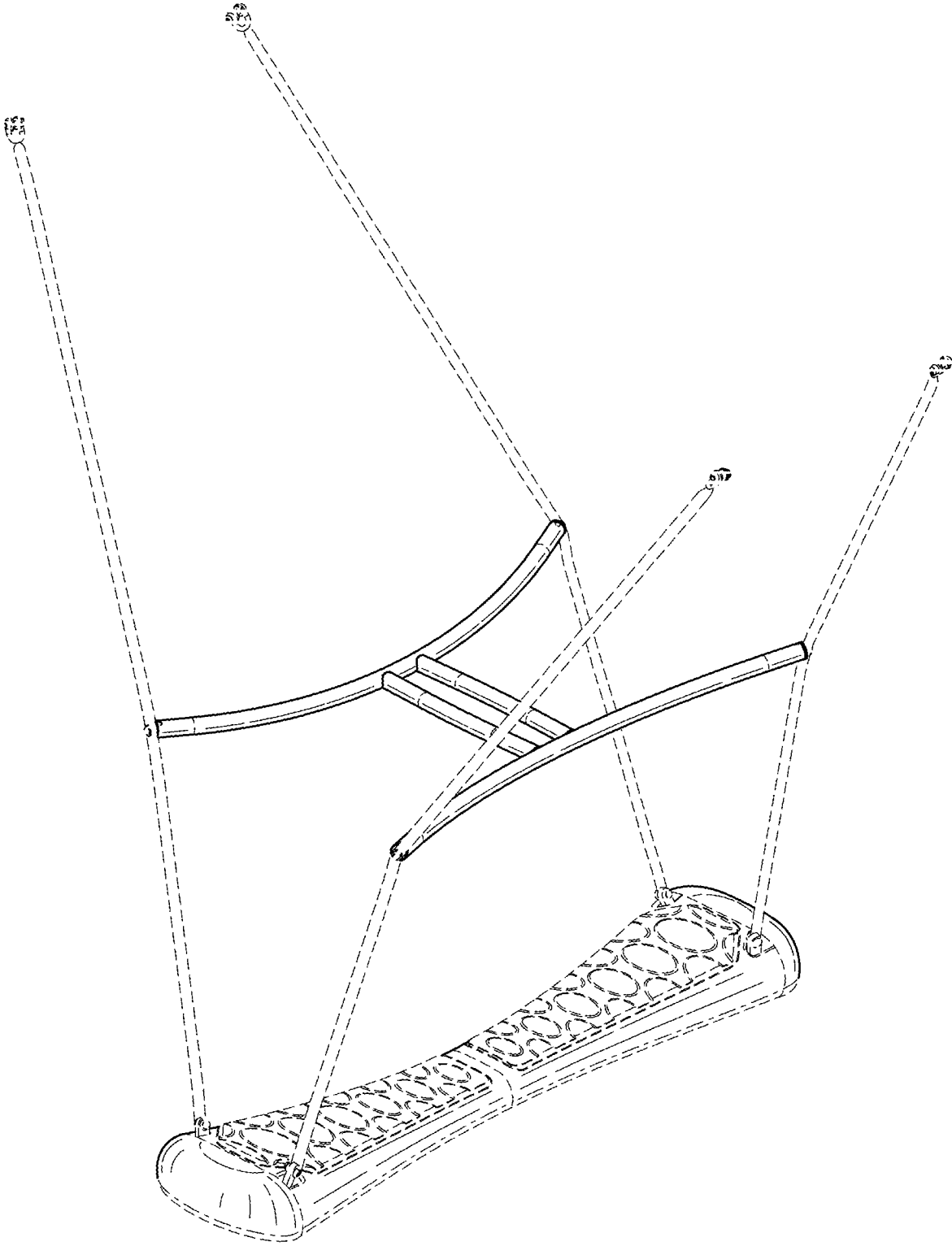


FIG. 2



FIG. 3



FIG. 4

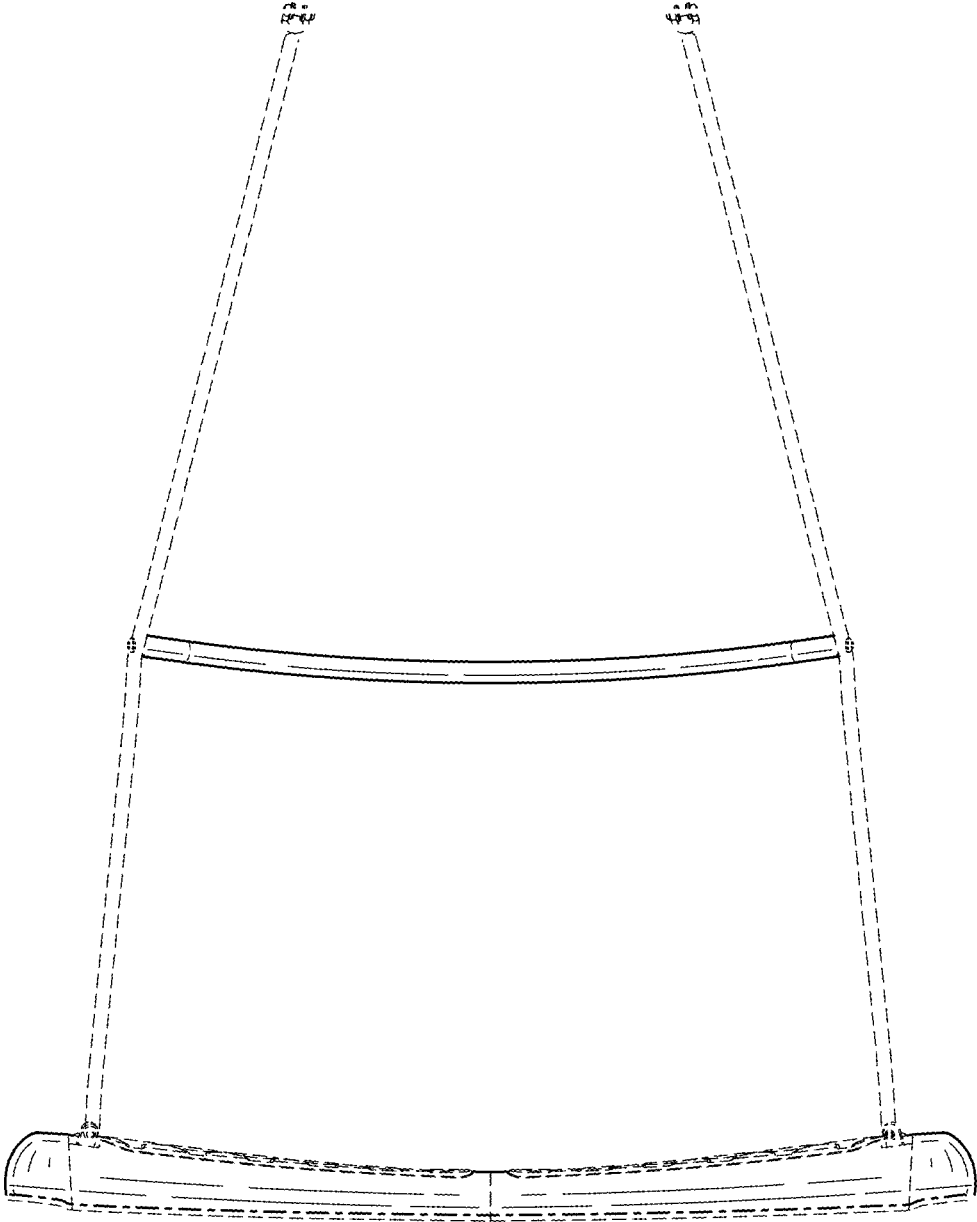


FIG. 5

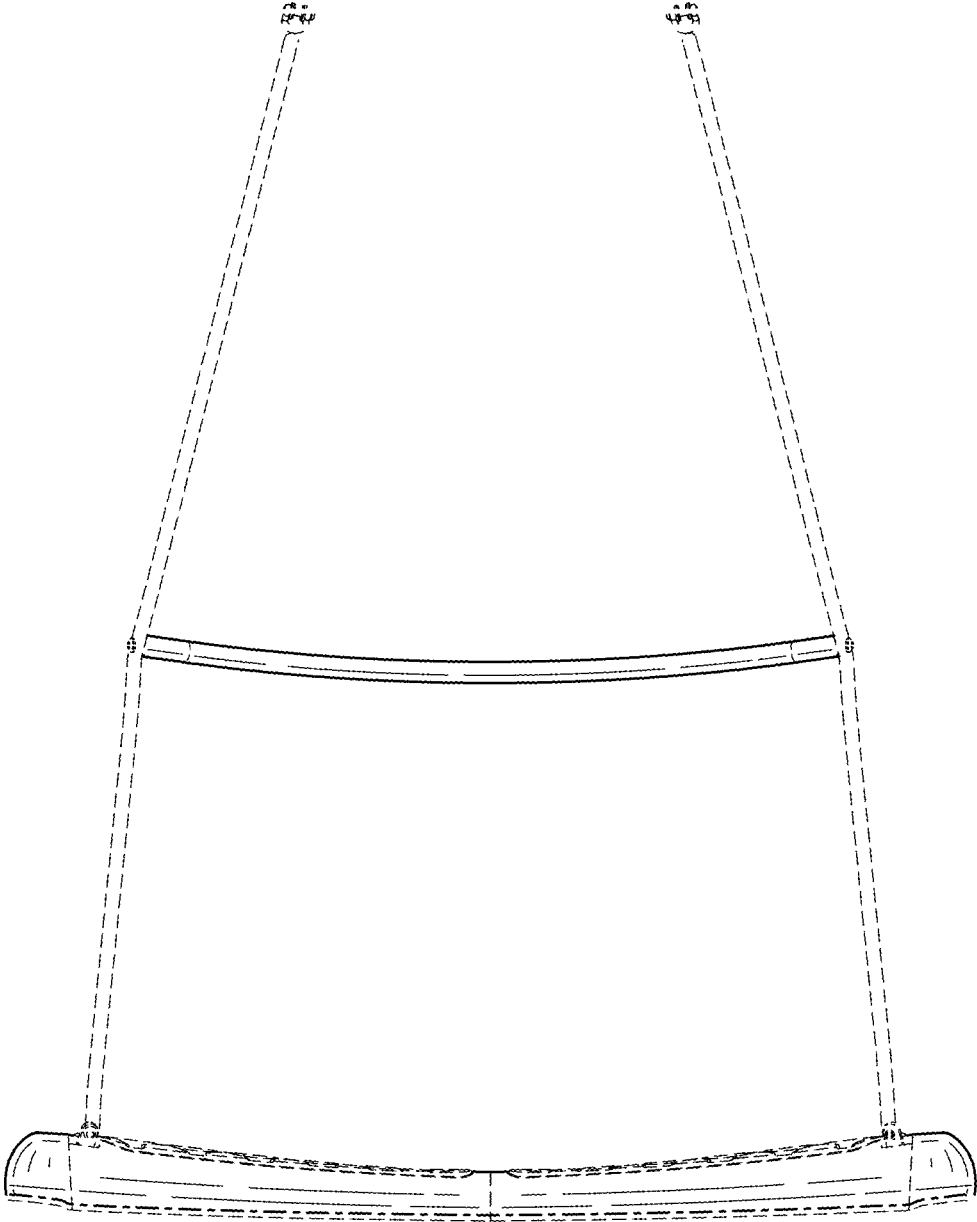


FIG. 6



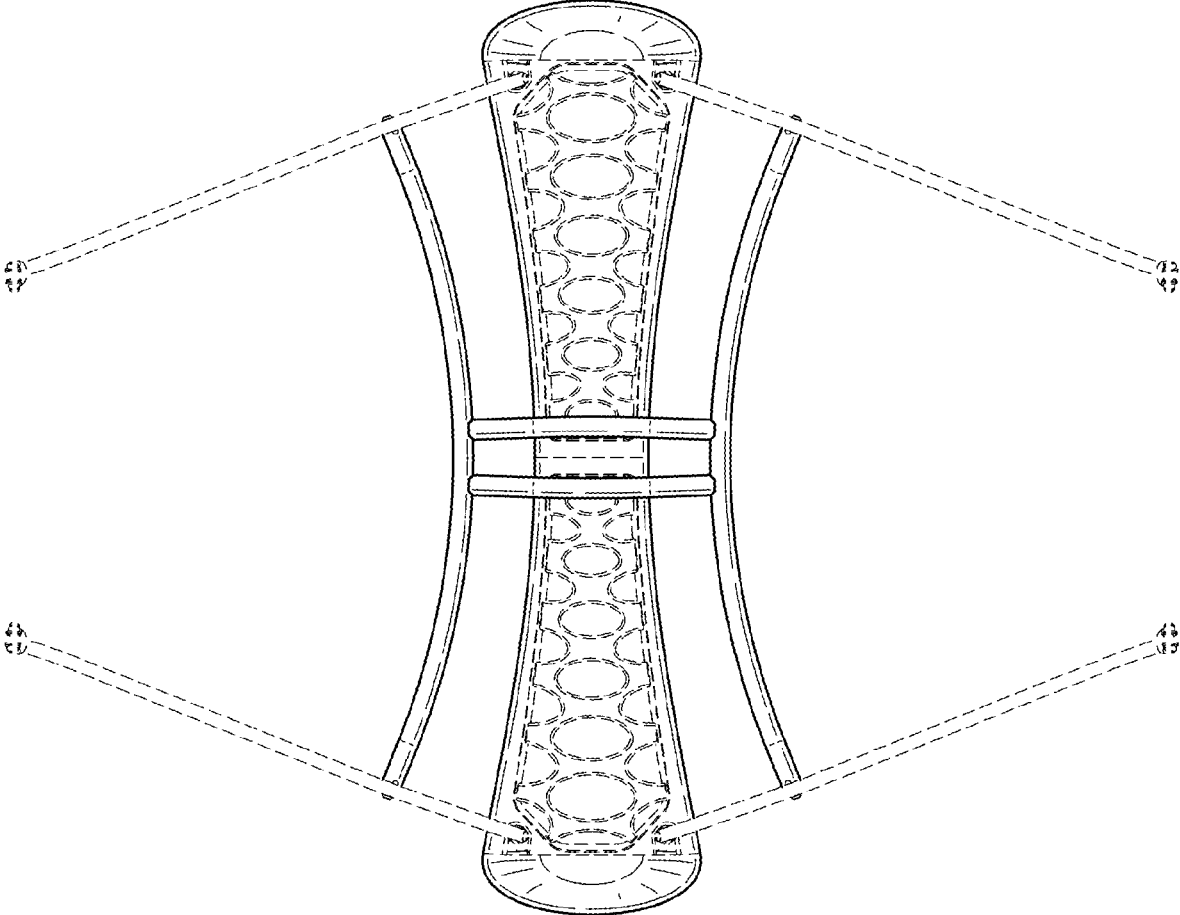


FIG. 7

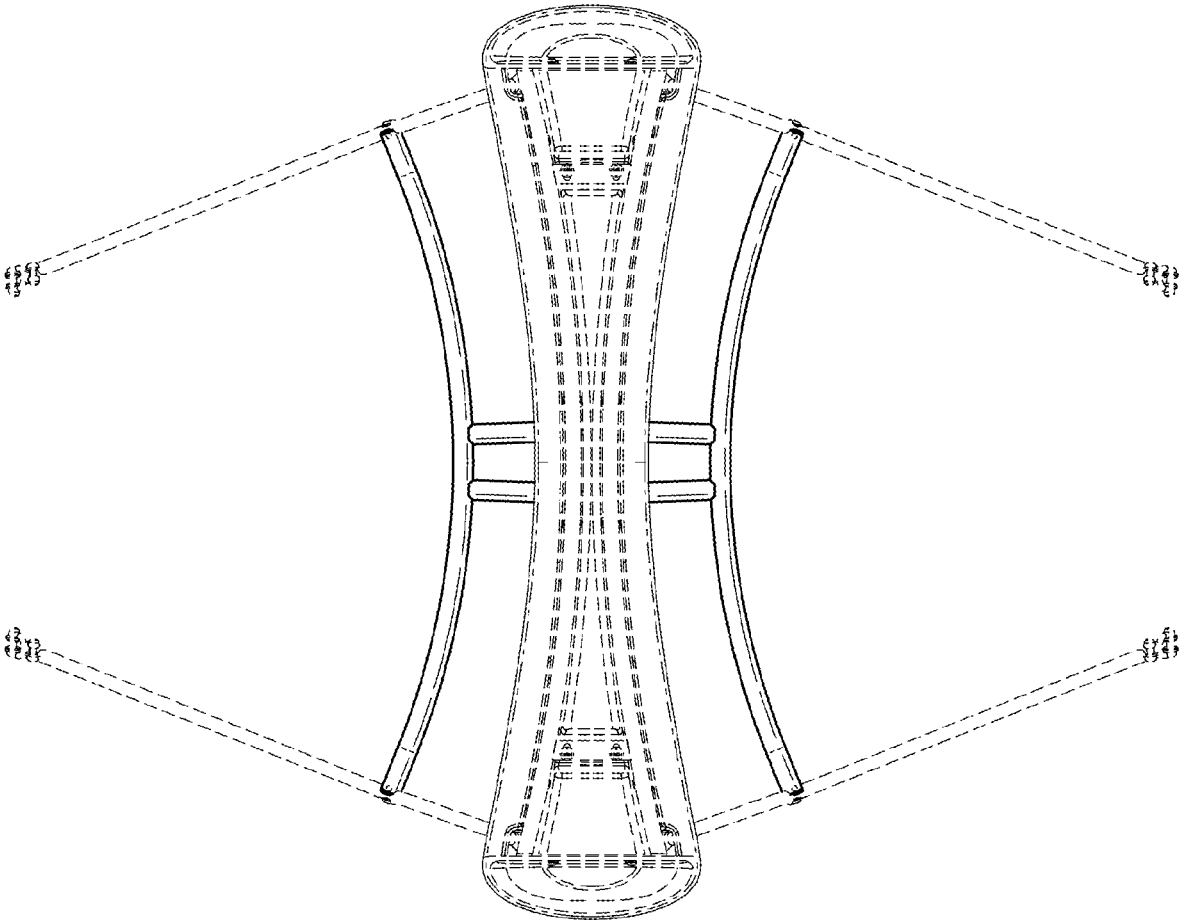


FIG. 8