



(12) **United States Design Patent**
Zhang

(10) **Patent No.:** **US D871,933 S**
(45) **Date of Patent:** **** Jan. 7, 2020**

- (54) **HVAC CONTROLLER**
- (71) Applicant: **Ademco Inc.**, Golden Valley, MN (US)
- (72) Inventor: **Arthur Zhang**, Beijing (CN)
- (73) Assignee: **Ademco Inc.**, Golden Valley, MN (US)
- (**) Term: **15 Years**
- (21) Appl. No.: **29/658,438**
- (22) Filed: **Jul. 31, 2018**
- (30) **Foreign Application Priority Data**

Feb. 1, 2018 (CN) 2018 3 0048723

(51) **LOC (12) Cl.** **10-04**

(52) **U.S. Cl.**
USPC **D10/50**

(58) **Field of Classification Search**
USPC D10/49, 50; D13/162, 162.1, 177
CPC . F23N 5/20; F23N 5/203; F23N 5/206; F23N
5/18; F23N 5/184; F23N 5/187; F23N
5/22; F23N 2025/12; F23N 2041/02;
F24F 11/00; F24F 11/0012; F24F
11/0009; F24F 11/001; F24F 2011/0057;
F24F 2011/0073; F24F 2011/0091; F24F
2011/0094; F24F 2011/0068; F24F
2011/0012; F24F

(Continued)

(56) **References Cited**

U.S. PATENT DOCUMENTS

D506,150 S 6/2005 Backlund et al.
D506,687 S 6/2005 Takach et al.

(Continued)

OTHER PUBLICATIONS

Notice to Grant dated Oct. 26, 2018, and English translation thereof,
from counterpart Chinese Application No. 201830048723.8, 6 pp.

(Continued)

Primary Examiner — Antoine Duval Davis
(74) *Attorney, Agent, or Firm* — Shumaker & Sieffert,
P.A.

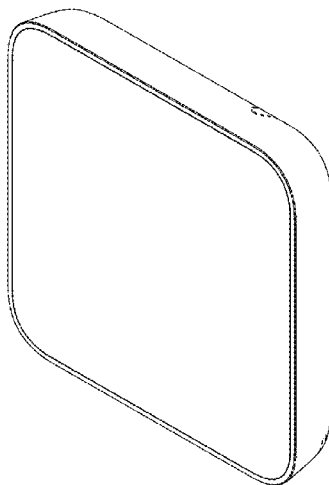
(57) **CLAIM**

The ornamental design for an HVAC controller, as shown
and described.

DESCRIPTION

FIG. 1 is a perspective view of an HVAC controller;
FIG. 2 is a front side view of the HVAC controller of FIG.
1;
FIG. 3 is a left side view of the HVAC controller of FIG. 1;
FIG. 4 is a right side view of the HVAC controller of FIG.
1;
FIG. 5 is a top side view of the HVAC controller of FIG. 1;
FIG. 6 is a bottom side view of the HVAC controller of FIG.
1;
FIG. 7 is a back side view of the HVAC controller of FIG.
1;
FIG. 8 is a perspective view of the HVAC controller of FIG.
1 with a stand;
FIG. 9 is a front side view of the HVAC controller with stand
of FIG. 8;
FIG. 10 is a left side view of the HVAC controller with stand
of FIG. 8;
FIG. 11 is a right side view of the HVAC controller with
stand of FIG. 8;
FIG. 12 is a top side view of the HVAC controller with stand
of FIG. 8;
FIG. 13 is a bottom side view of the HVAC controller with
stand of FIG. 8; and,
FIG. 14 is a back side view of the HVAC controller with
stand of FIG. 8.
The portions illustrated in broken lines on the figures are for
illustrative purposes only and form no part of the claimed
design.

1 Claim, 14 Drawing Sheets



(58) **Field of Classification Search**

CPC 2011/0015; F24F 2011/0017; F21V 11/16;
 F21V 33/10; G05B 19/042; G05D 23/01;
 G05D 23/12; G05D 23/275; G05D
 23/1902; G05D 23/1904; G05D
 23/27502; G05D 23/27503; G05D
 23/1919; G05D 23/19; G05D 23/2723;
 G05D 23/00; G09F 13/22; G09F 9/53;
 G06F 1/1684; G06F 1/30; G06F 3/0362;
 G06F 3/038; H05B 33/0854; H05B
 37/0218; H05K 5/0017; H05K 5/0243;
 H05K 5/00; H05K 5/03; H04M 2250/12;
 H04M 2250/22

See application file for complete search history.

(56) **References Cited**

U.S. PATENT DOCUMENTS

D509,151 S 9/2005 Takach et al.
 D520,386 S 5/2006 Takach et al.
 D535,572 S 1/2007 Takach et al.
 D535,573 S 1/2007 Barton et al.
 D541,184 S 4/2007 Barton et al.
 D542,677 S 5/2007 Barton et al.
 D556,060 S 11/2007 McGuire et al.
 D580,282 S 11/2008 Bray et al.
 D580,801 S 11/2008 Takach et al.
 D590,730 S 4/2009 Simard et al.
 D595,160 S 6/2009 Fisher et al.
 D595,161 S 6/2009 Fisher et al.
 D596,964 S 7/2009 Wang et al.
 D622,621 S * 8/2010 Choi D10/50
 D666,509 S 9/2012 Beland et al.
 D678,084 S 3/2013 Beland et al.

D712,756 S 9/2014 Rump et al.
 D717,681 S 11/2014 Shail et al.
 D720,633 S 1/2015 Novotny et al.
 8,950,687 B2 2/2015 Bergman et al.
 D725,524 S 3/2015 Takach et al.
 D738,755 S * 9/2015 Druce D10/50
 D738,756 S * 9/2015 Jiang D10/50
 D743,349 S 11/2015 Leeland et al.
 D744,433 S 12/2015 Baumgartner et al.
 D750,980 S 3/2016 Takach et al.
 D751,426 S * 3/2016 Edgar D10/50
 D755,132 S 5/2016 Kashimoto
 D778,244 S * 2/2017 Feldstein D13/162
 D778,245 S * 2/2017 Feldstein D13/162
 D792,789 S 7/2017 Read et al.
 D797,580 S 9/2017 Read et al.
 D801,345 S 10/2017 Kujawski et al.
 D803,705 S 11/2017 Read et al.
 D808,828 S * 1/2018 Behar D10/50
 D809,942 S * 2/2018 Cool D10/50
 D811,245 S * 2/2018 Combe D10/50
 9,955,244 B2 * 4/2018 Rothkopf H04R 1/028
 D820,121 S * 6/2018 Combe D10/50
 D824,786 S * 8/2018 Combe D10/50
 D830,861 S 10/2018 McNealy et al.
 D832,722 S * 11/2018 Farenski D10/50
 D837,666 S * 1/2019 Butler D10/49
 D843,240 S * 3/2019 Combe D10/50
 2012/0067560 A1 3/2012 Bergman et al.
 2015/0127176 A1 5/2015 Bergman et al.

OTHER PUBLICATIONS

U.S. Appl. No. 29/664,633, filed Sep. 26, 2018, naming inventors Zhang et al.

* cited by examiner

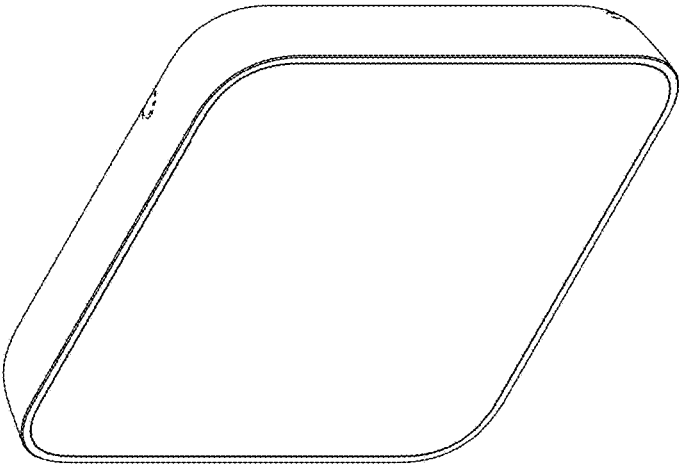


FIG. 1

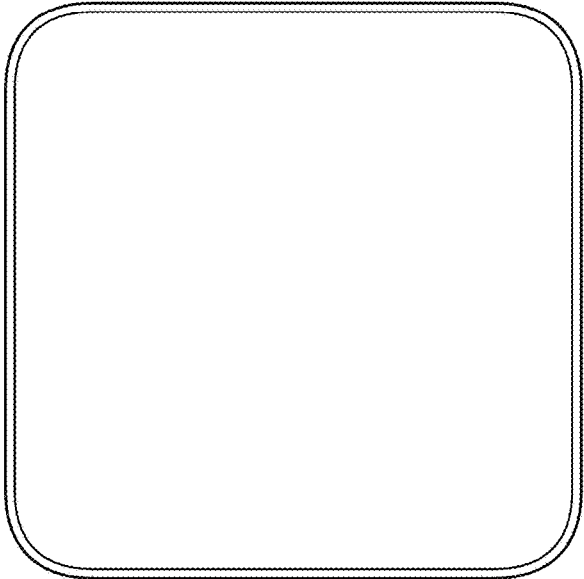


FIG. 2



FIG. 3

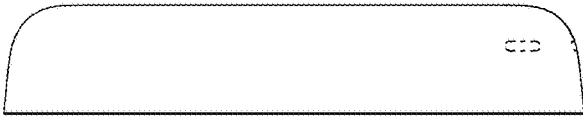


FIG. 4



FIG. 5

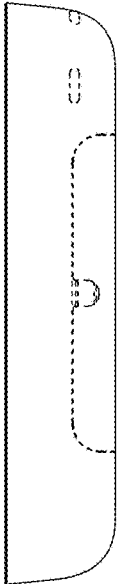


FIG. 6

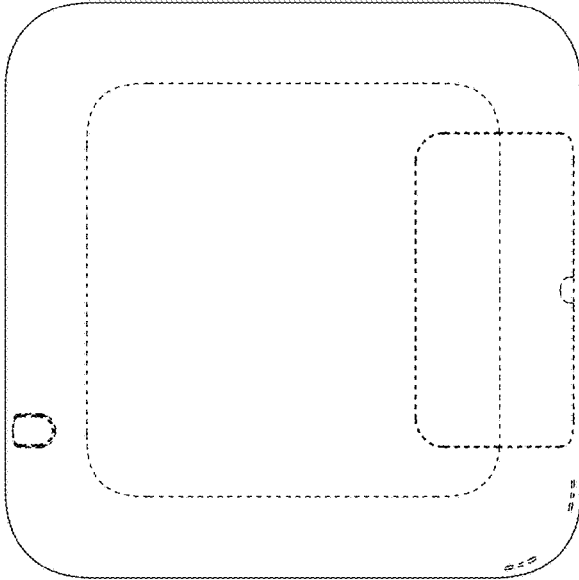


FIG. 7

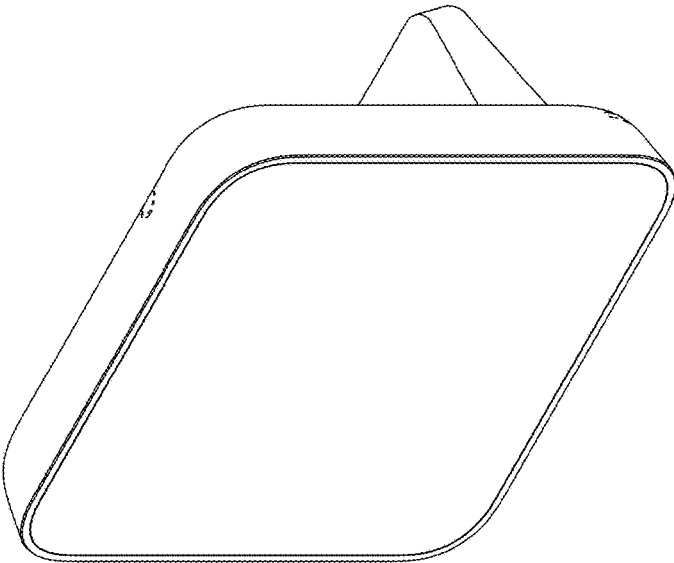


FIG. 8

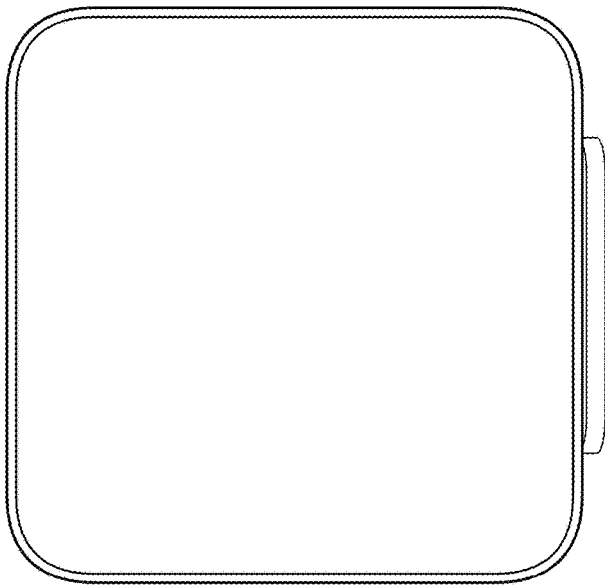


FIG. 9

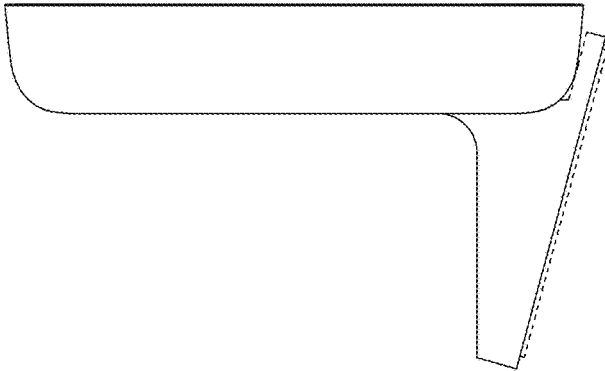


FIG. 10

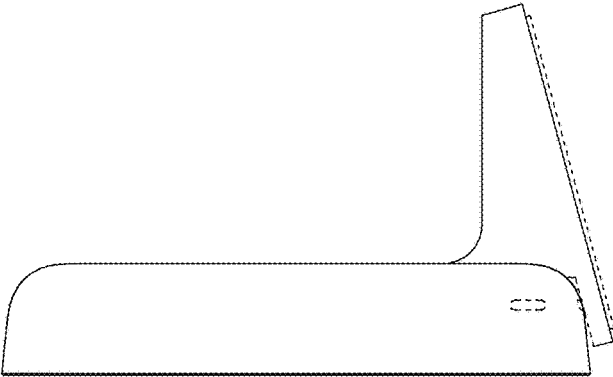


FIG. 11

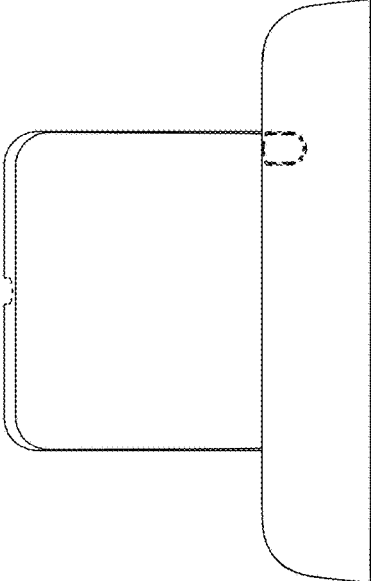


FIG. 12

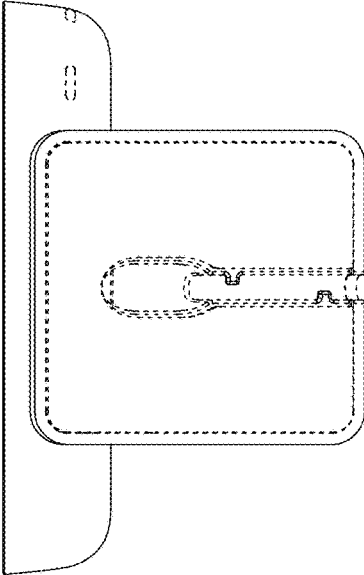


FIG. 13

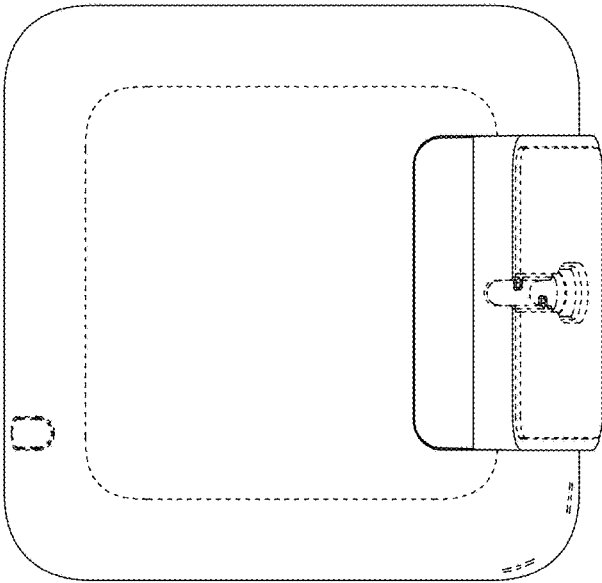


FIG. 14