



US00D670956S

(12) **United States Design Patent**
Kokenis

(10) **Patent No.:** **US D670,956 S**

(45) **Date of Patent:** **** Nov. 20, 2012**

(54) **PET TREAT BAKING MACHINE**
(75) Inventor: **Louis John Kokenis**, Arnold, MO (US)
(73) Assignee: **Bake-A-Bone, LLC**, Arnold, MO (US)
(**) Term: **14 Years**

(21) Appl. No.: **29/415,990**

(22) Filed: **Mar. 16, 2012**

(51) **LOC (9) Cl.** **07-02**

(52) **U.S. Cl.** **D7/356; D7/352; D7/362; D7/363**

(58) **Field of Classification Search** **D7/323,**
D7/329–331, 337, 339, 346–347, 350.1–350.4,
D7/352–367, 391, 393, 395, 402, 409–410,
D7/538, 542; D9/643; D24/101–102; 99/324–325,
99/331–332, 337–340, 349, 369, 372, 380,
99/400–418, 422, 425, 444–446, 483; 219/386,
219/400, 405, 429–442, 450.1, 620–624,
219/725, 730–735; 220/315, 573.1–573.5,
220/912; 426/438, 441

See application file for complete search history.

(56) **References Cited**

U.S. PATENT DOCUMENTS

1,947,124	A *	2/1934	Clauss	99/380
4,989,580	A	2/1991	Dunham	
D379,223	S *	5/1997	Kramer et al.	D24/101
D409,876	S *	5/1999	Gruaz	D7/352
D414,982	S	10/1999	Hopkins et al.	
5,970,858	A	10/1999	Boehm et al.	
6,073,542	A	6/2000	Perez	
D427,517	S *	7/2000	Marcks	D9/643
D434,846	S *	12/2000	Chen et al.	D24/102
6,369,367	B1	4/2002	Maier	
6,429,409	B1 *	8/2002	Siu	219/450.1
6,487,963	B1 *	12/2002	Wu	99/340

6,860,191	B2 *	3/2005	Jackson et al.	99/340
7,064,298	B2 *	6/2006	Li	219/450.1
D543,073	S *	5/2007	Rich	D7/410
D606,801	S *	12/2009	Kirk	D7/354
D611,759	S *	3/2010	Kirk	D7/357
D648,594	S *	11/2011	Bray	D7/352
2001/0018868	A1	9/2001	Brady	

* cited by examiner

Primary Examiner — Ricky Pham

(74) *Attorney, Agent, or Firm* — Buckingham, Doolittle & Burroughs, LLP

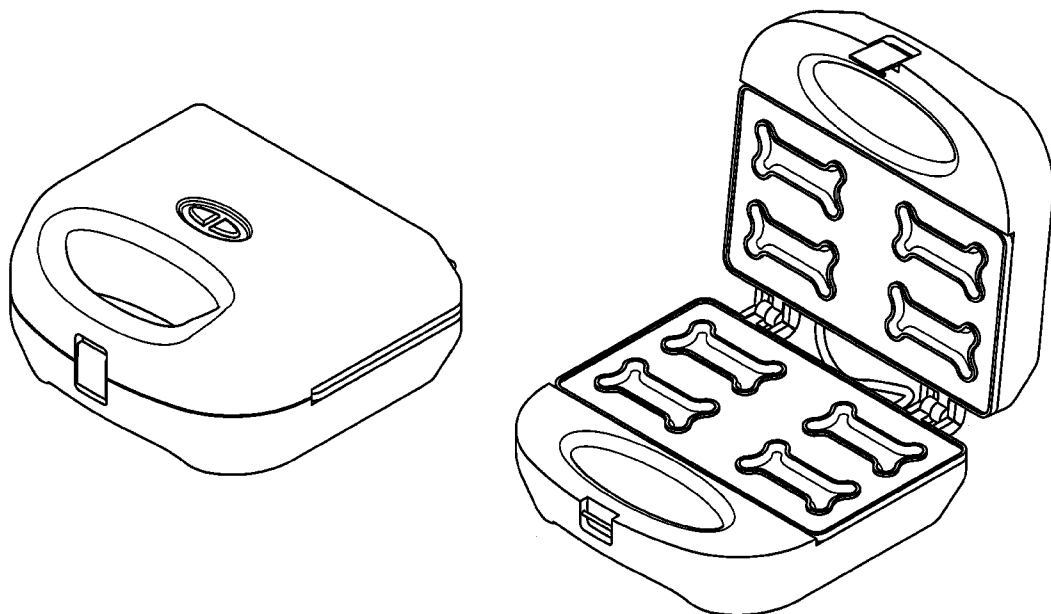
(57) **CLAIM**

I claim the ornamental design for pet treat baking machine, as shown.

DESCRIPTION

FIG. 1 is a perspective view of the pet treat baking device in a closed position;
 FIG. 2 is a front elevation view thereof;
 FIG. 3 is a rear elevation view thereof;
 FIG. 4 is a top view thereof;
 FIG. 5 is a bottom view thereof;
 FIG. 6 is a left side elevation view thereof;
 FIG. 7 is a right side elevation view thereof;
 FIG. 8 is a perspective view of the pet treat baking machine in an open position;
 FIG. 9 is a side elevation view of the pet treat baking device in an open position; and,
 FIG. 10 is a top view of an insertable mold for the pet treat baking machine depicted in FIG. 1, and a cross sectional elevation view along section A-A of the insertable mold.

1 Claim, 10 Drawing Sheets



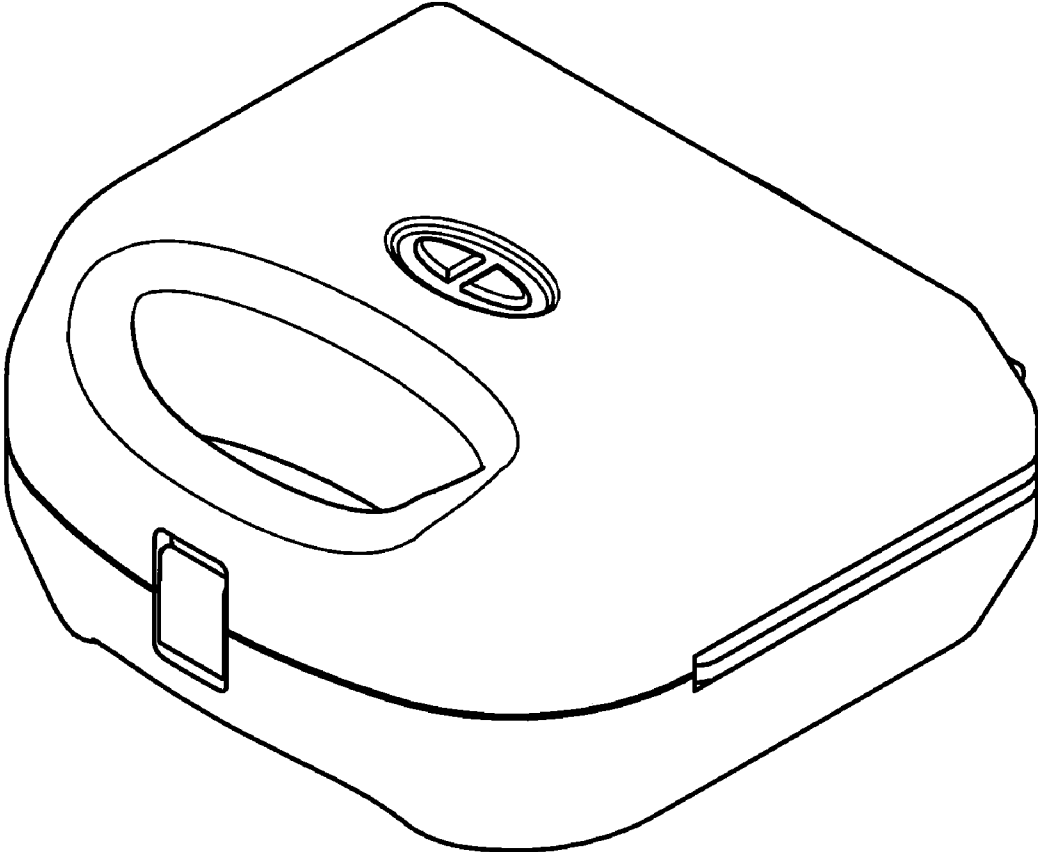


FIG. 1

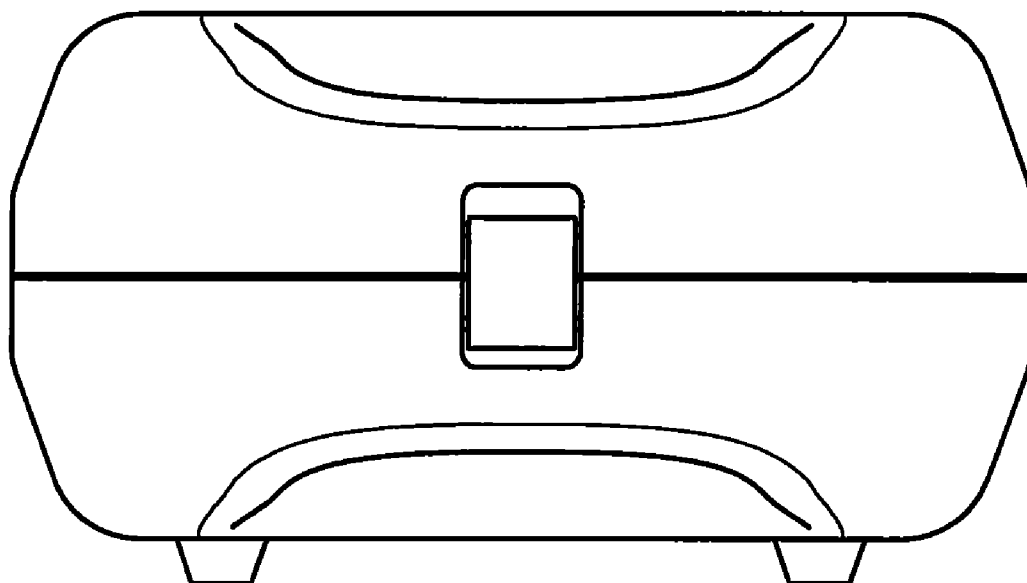


FIG. 2

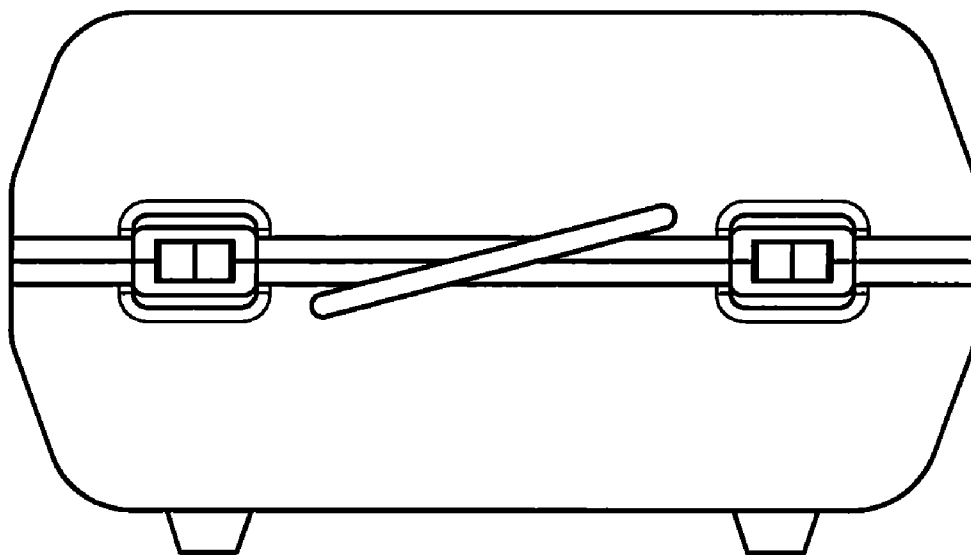


FIG. 3

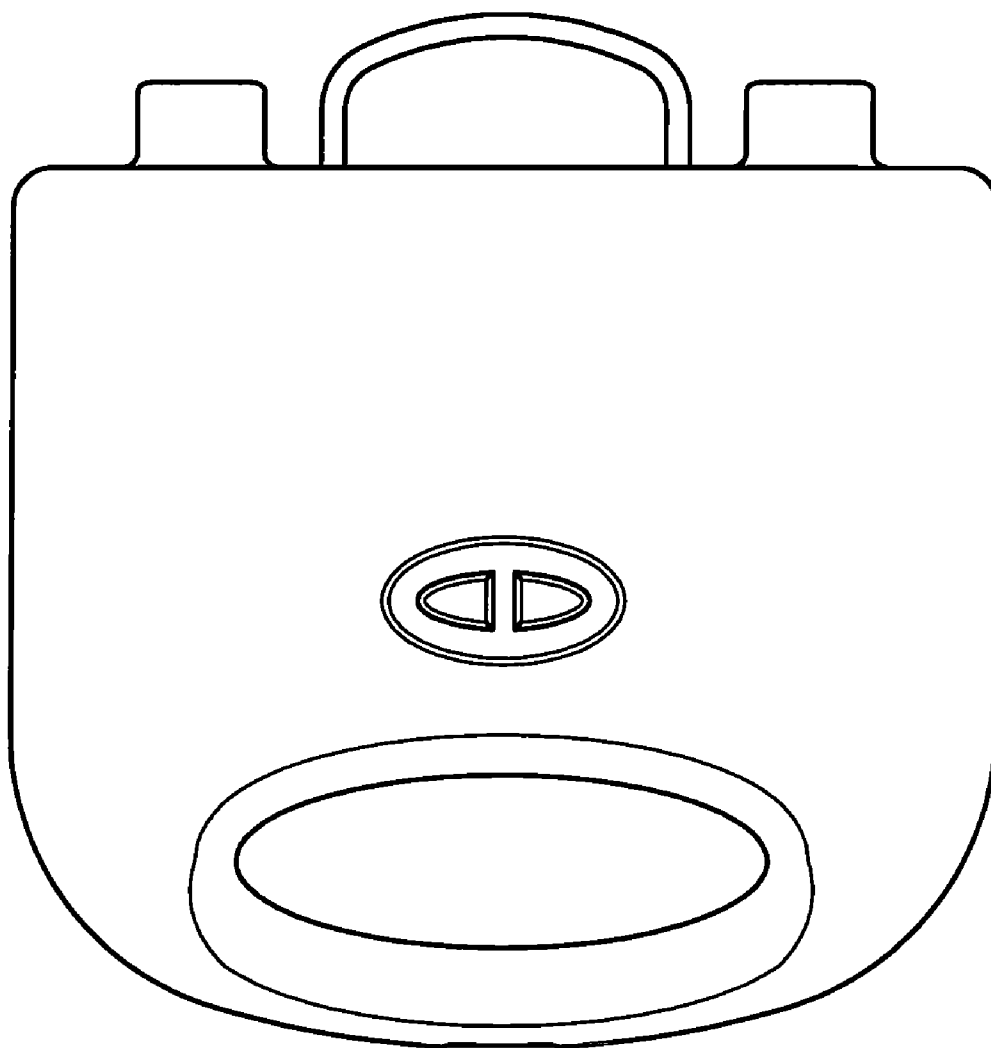


FIG. 4

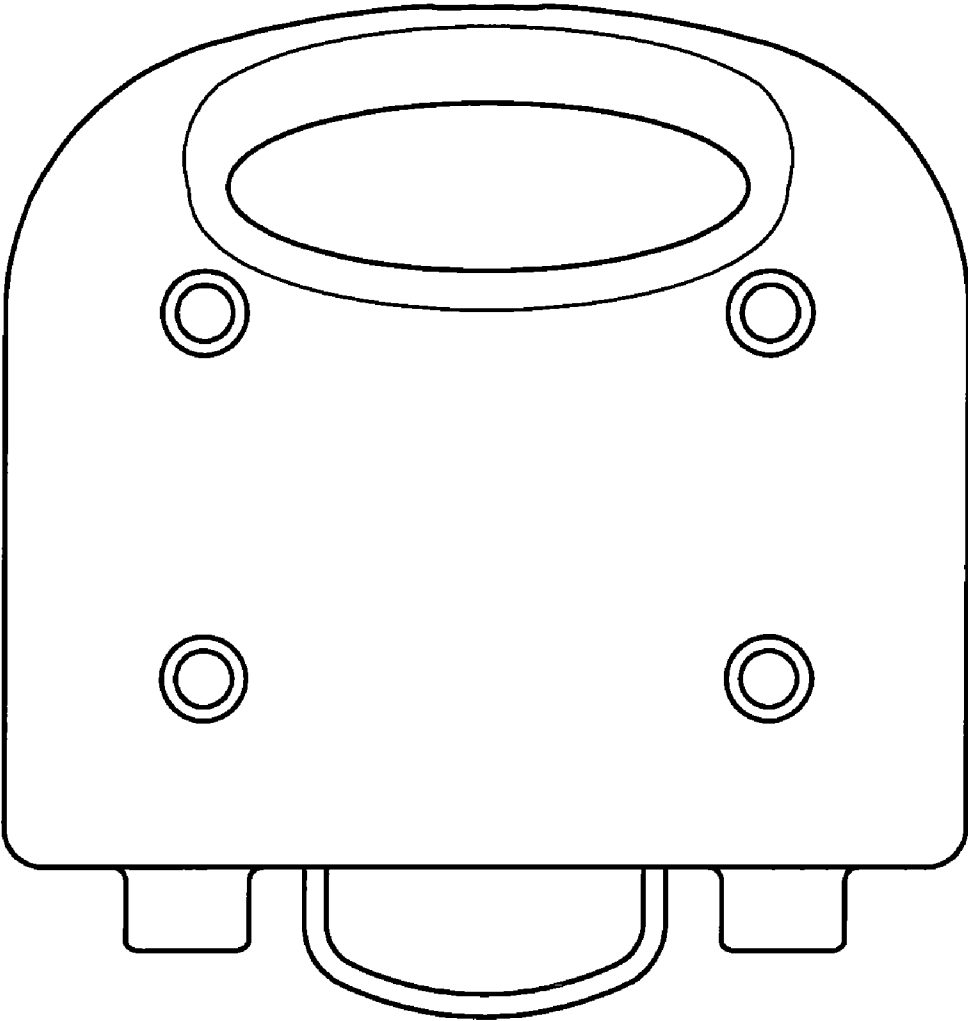


FIG. 5

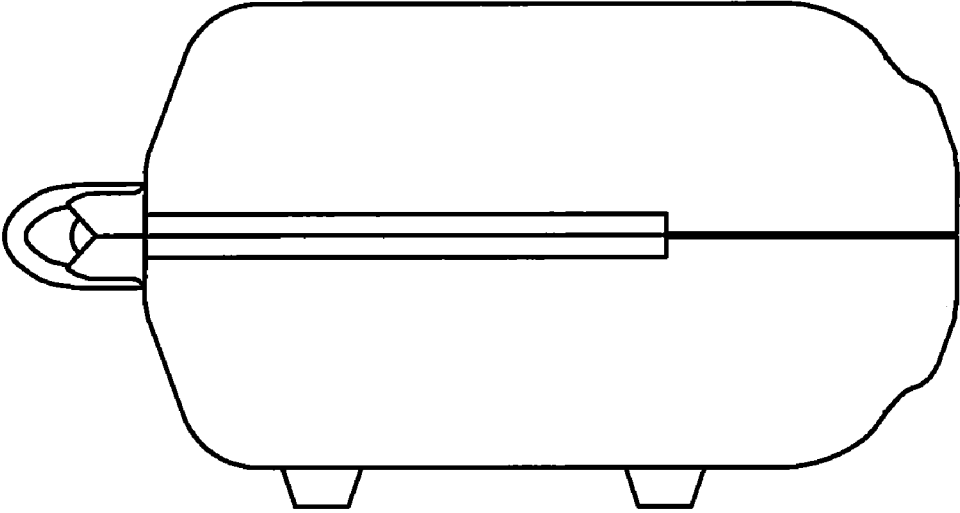


FIG. 6

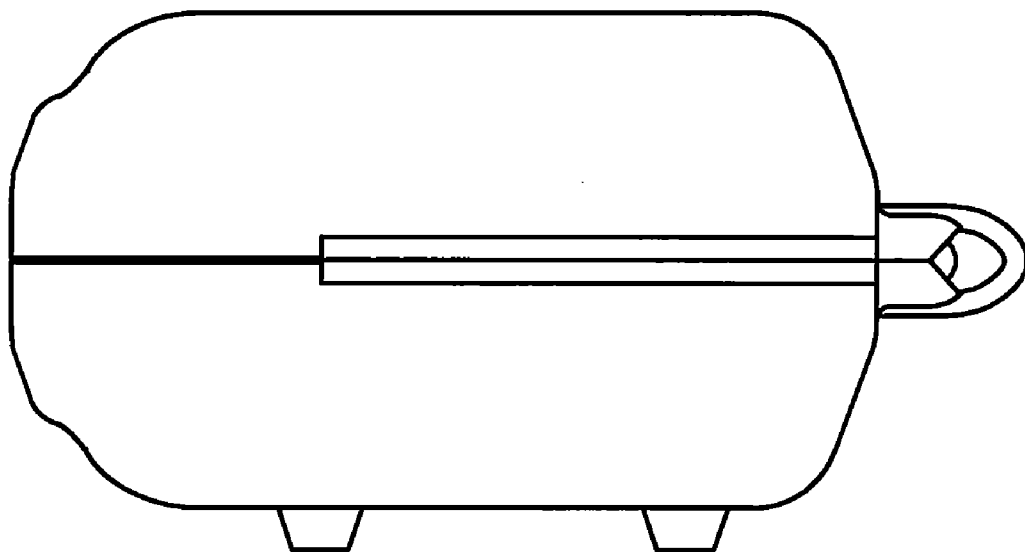


FIG. 7

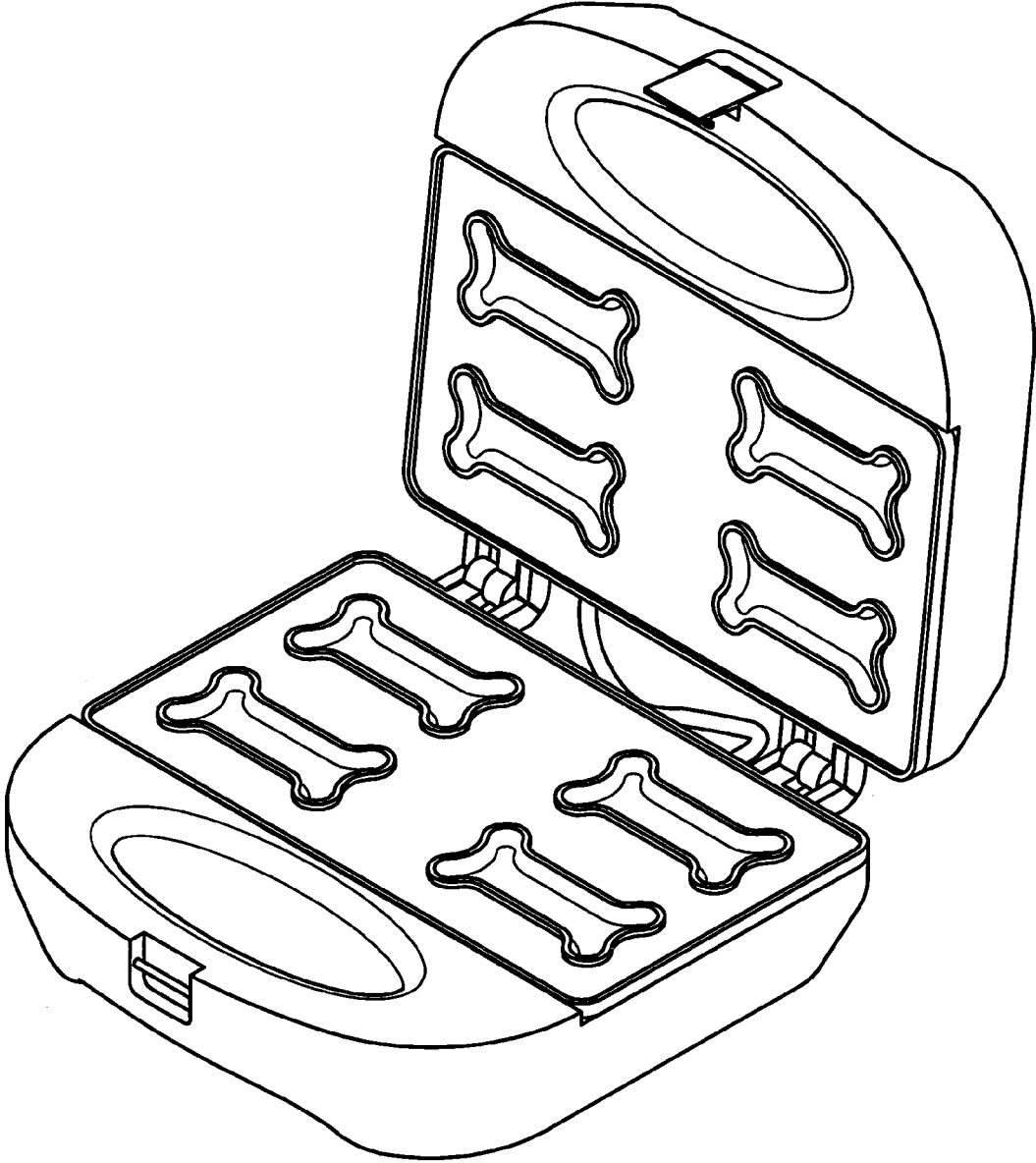


FIG. 8

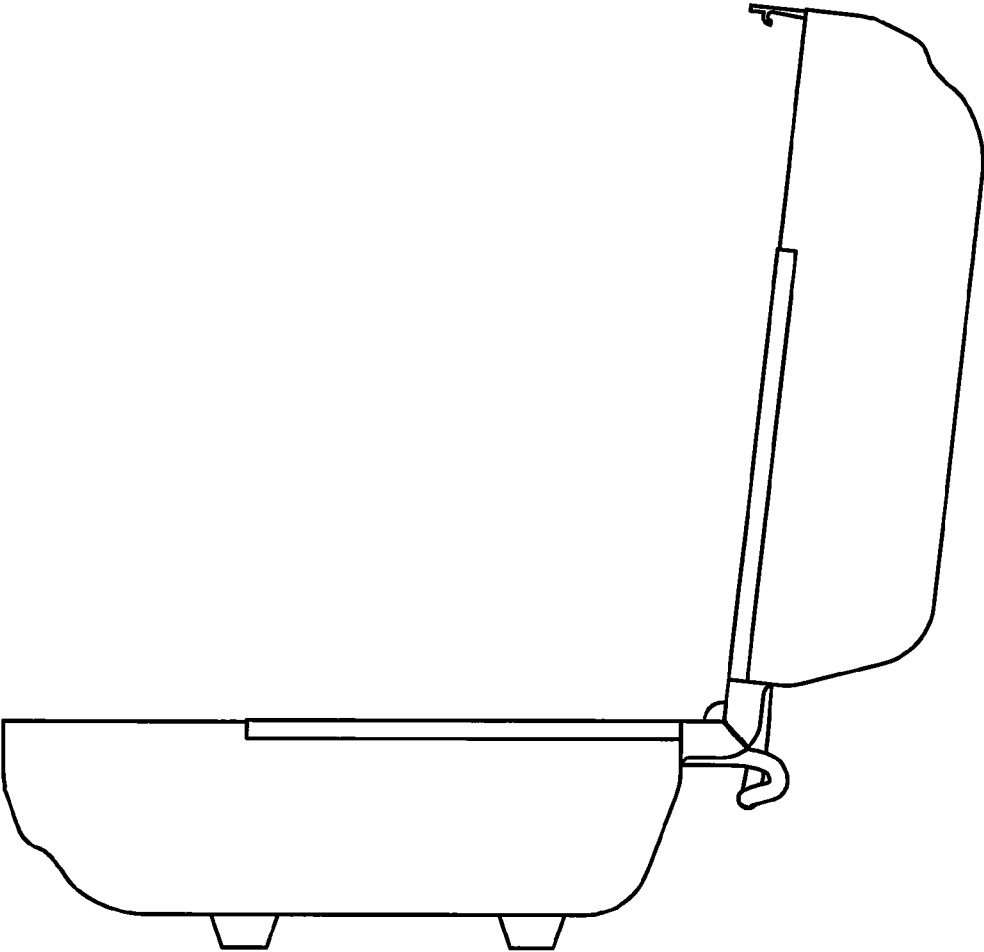
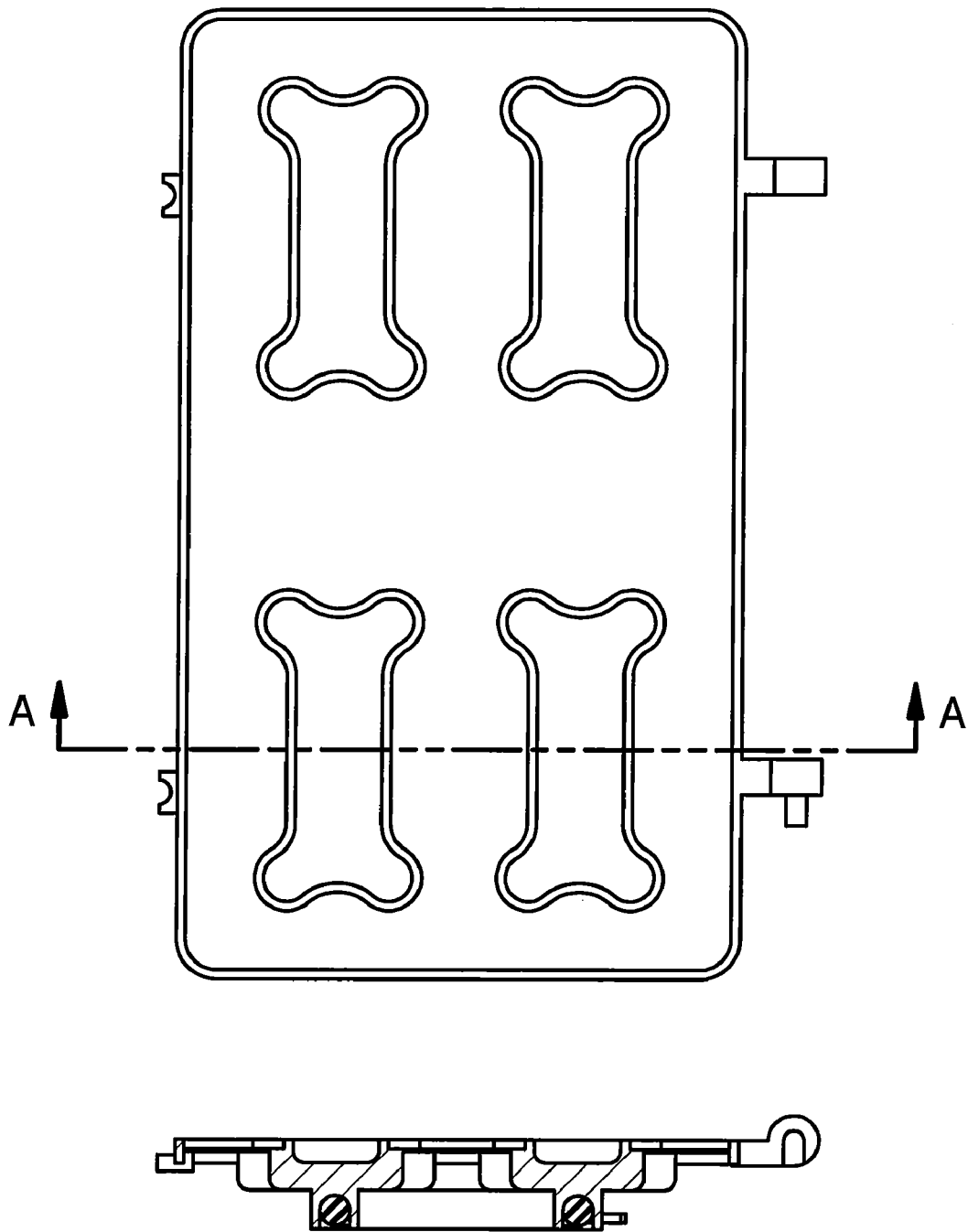


FIG. 9



SECTION A-A

FIG. 10