



US00D871527S

(12) **United States Design Patent**
Blum

(10) **Patent No.:** **US D871,527 S**

(45) **Date of Patent:** **** Dec. 31, 2019**

- (54) **EXERCISE BALL**
- (71) Applicant: **Brunswick Corporation**, Mettawa, IL (US)
- (72) Inventor: **Matthew P. Blum**, Chicago, IL (US)
- (73) Assignee: **LIFE FITNESS, LLC**, Rosemont, IL (US)
- (**) Term: **15 Years**
- (21) Appl. No.: **29/629,959**
- (22) Filed: **Dec. 18, 2017**
- (51) **LOC (12) Cl.** **21-02**
- (52) **U.S. Cl.**
USPC **D21/680**
- (58) **Field of Classification Search**
USPC 119/702, 707; 446/220-226, 227, 400, 446/431, 486; 473/569-575, 576-580, 473/581-585, 586-591, 592-597, 473/598-603; D11/125, 48; D21/662, D21/678, 680, 707-714, 716, 788; D30/160; 482/91, 93, 105, 122, 148
CPC ... A63B 21/06; A63B 2213/00; A63B 26/003; A63B 37/0043; A63B 37/0004; A63B 43/00; A63B 2037/125
See application file for complete search history.

6,287,226 B1 *	9/2001	Dilling	A63B 39/08
				473/598
D478,367 S *	8/2003	Traub	D21/713
D494,233 S	8/2004	Kerry		
D516,145 S *	2/2006	Oblack	D21/713
D577,396 S *	9/2008	Burger	D21/713
D609,290 S *	2/2010	Oblack	D21/713
D673,740 S *	1/2013	Burger	D21/707
D683,800 S	6/2013	Ebio		
D702,301 S *	4/2014	Otto	D21/713
8,683,958 B2 *	4/2014	Oblack	F41B 3/04
				119/707
D705,876 S *	5/2014	Oblack	D21/712
D774,150 S	12/2016	Holland et al.		
D775,287 S	12/2016	Pawlas		
9,694,230 B2	7/2017	Cooper		

* cited by examiner

Primary Examiner — Cynthia Ramirez
Assistant Examiner — Michael A Maharajh
(74) *Attorney, Agent, or Firm* — Andrus Intellectual Property Law, LLP

(57) **CLAIM**

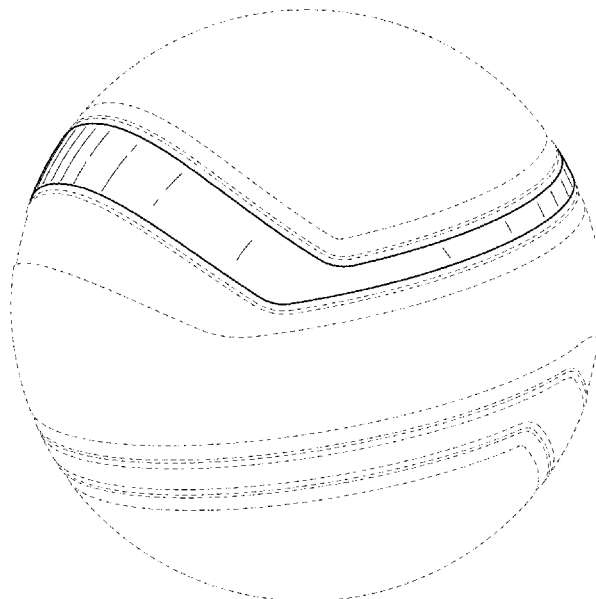
The ornamental design for an exercise ball, as shown and described.

DESCRIPTION

FIG. 1 is a front perspective view of an exercise ball, showing my new design.
FIG. 2 is a front view thereof.
FIG. 3 is a rear view thereof.
FIGS. 4 and 5 are opposing side views thereof.
FIG. 6 is a top view thereof; and,
FIG. 7 is a bottom view thereof.
The broken lines in the drawings are for the purpose of illustrating portions of the exercise ball, which form no part of the claimed design.

1 Claim, 4 Drawing Sheets

- (56) **References Cited**
U.S. PATENT DOCUMENTS
- 2,840,024 A * 6/1958 Haas A63B 37/12
473/598
- 5,048,829 A * 9/1991 Prokupek A63B 43/002
473/595
- 5,588,648 A * 12/1996 Stebbins A63B 37/02
473/600
- D393,020 S * 3/1998 Arcos D21/713



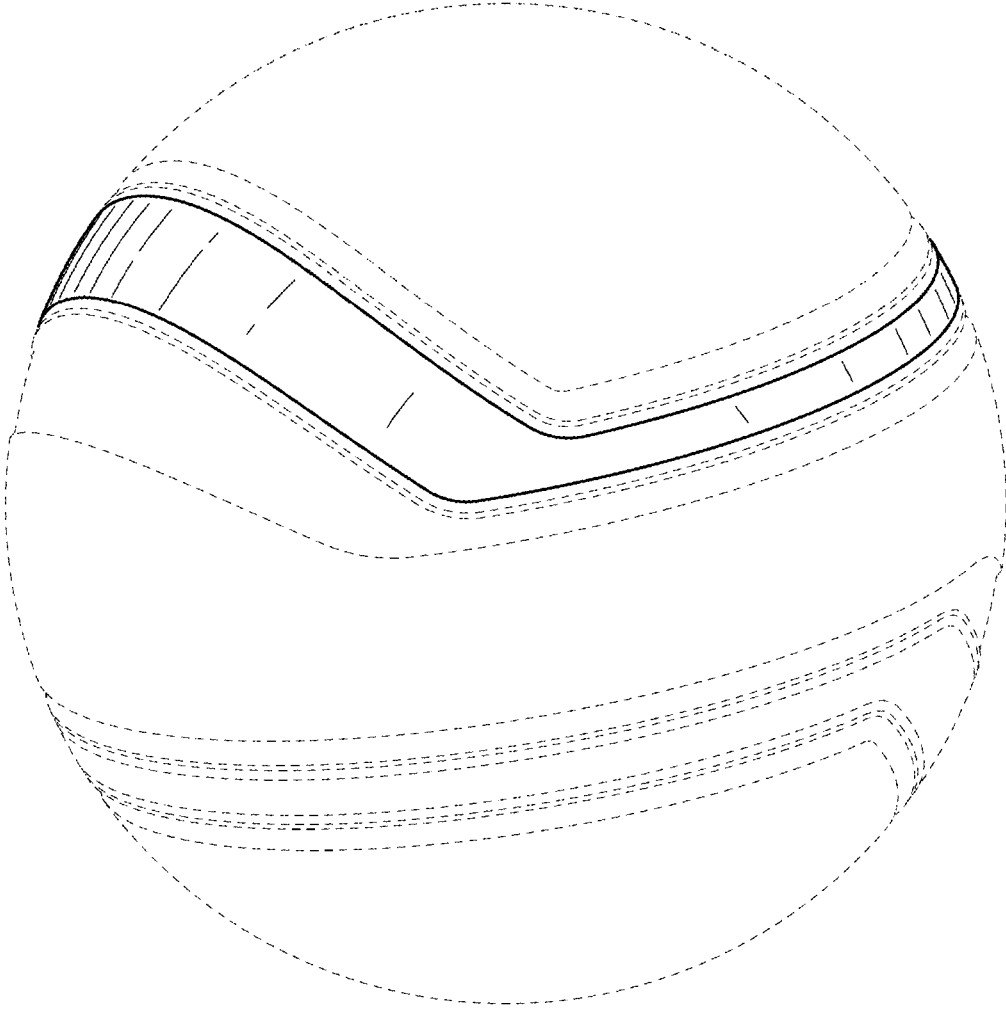


FIG. 1

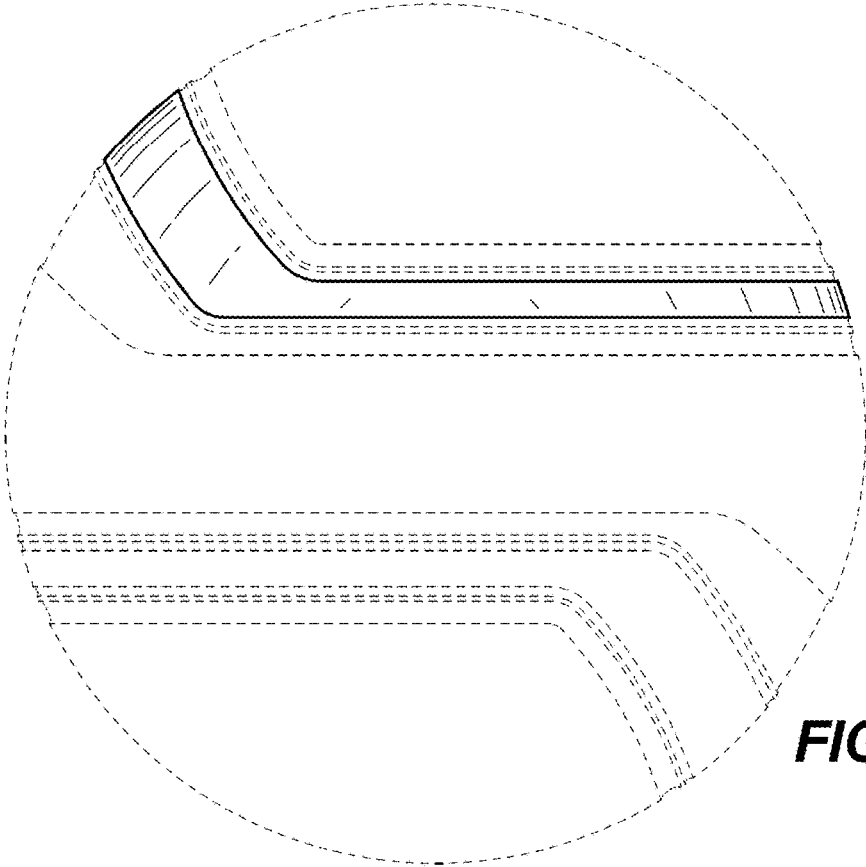


FIG. 2

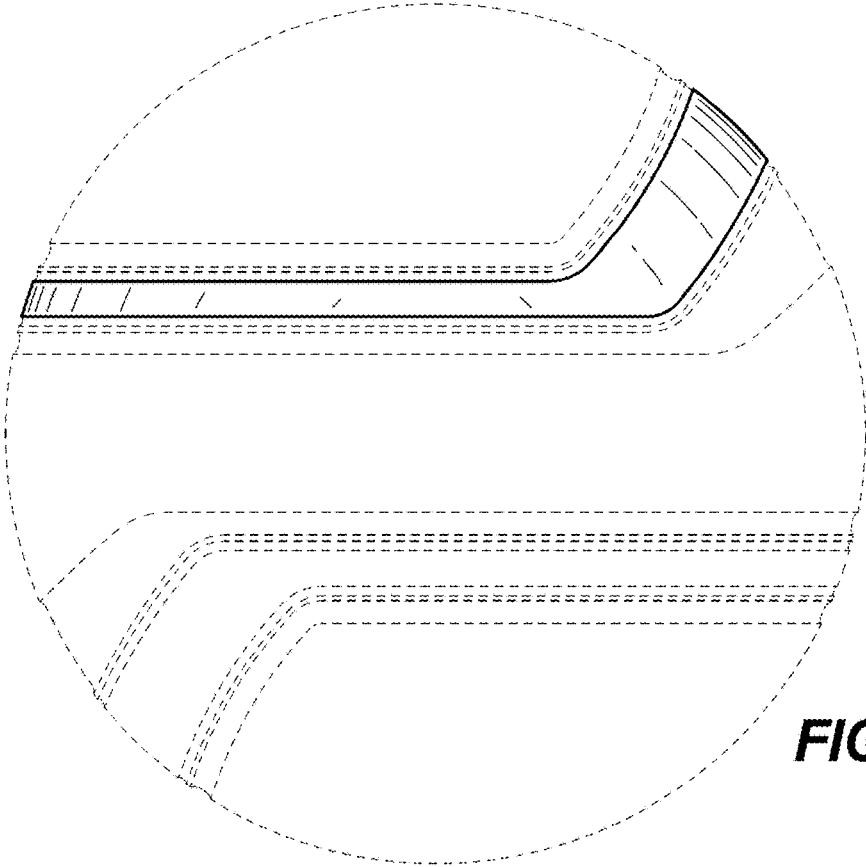


FIG. 3

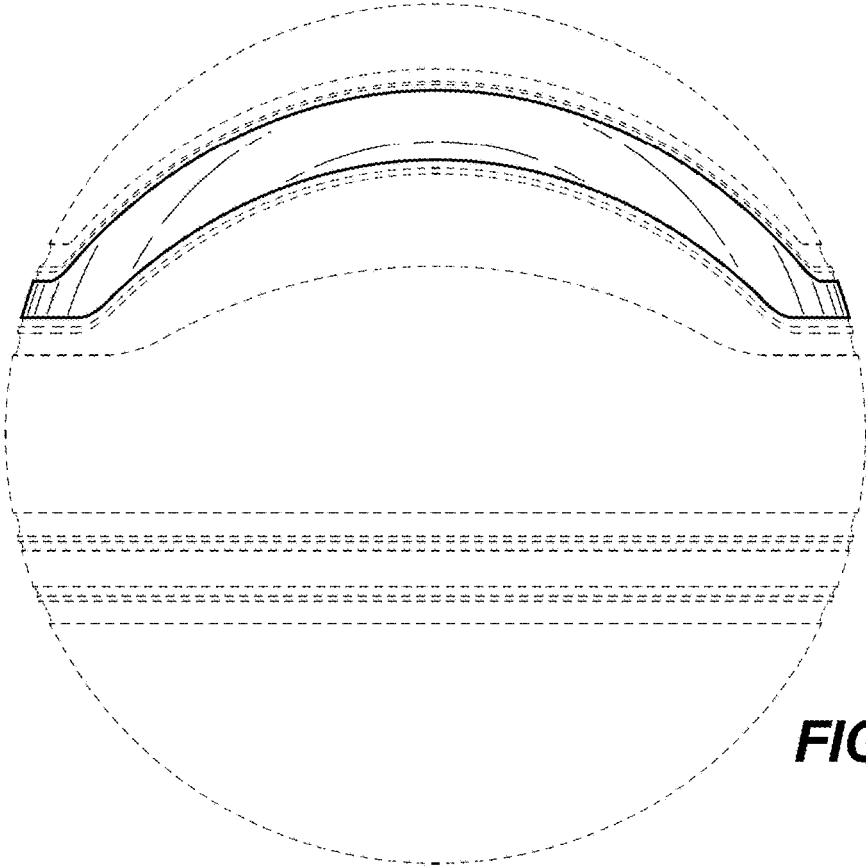


FIG. 4

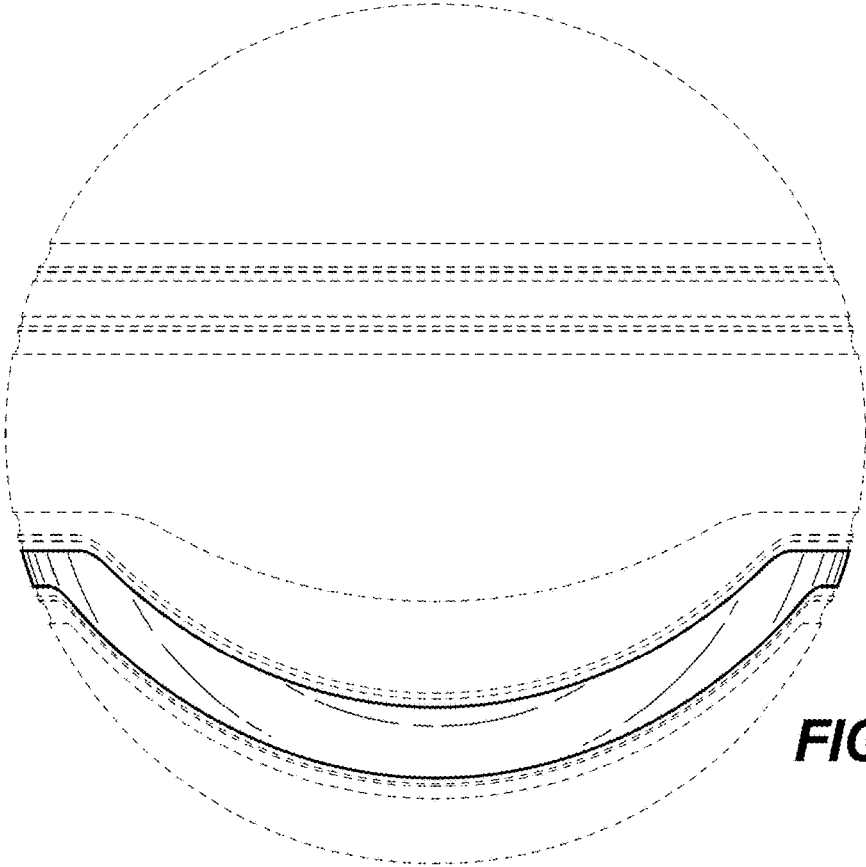


FIG. 5

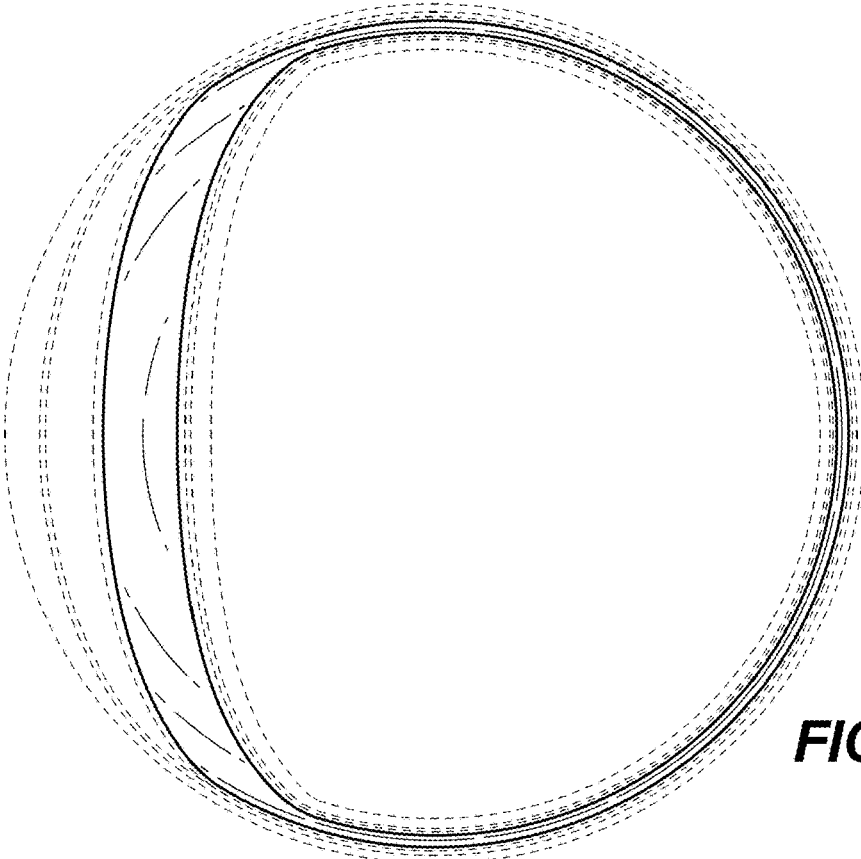


FIG. 6

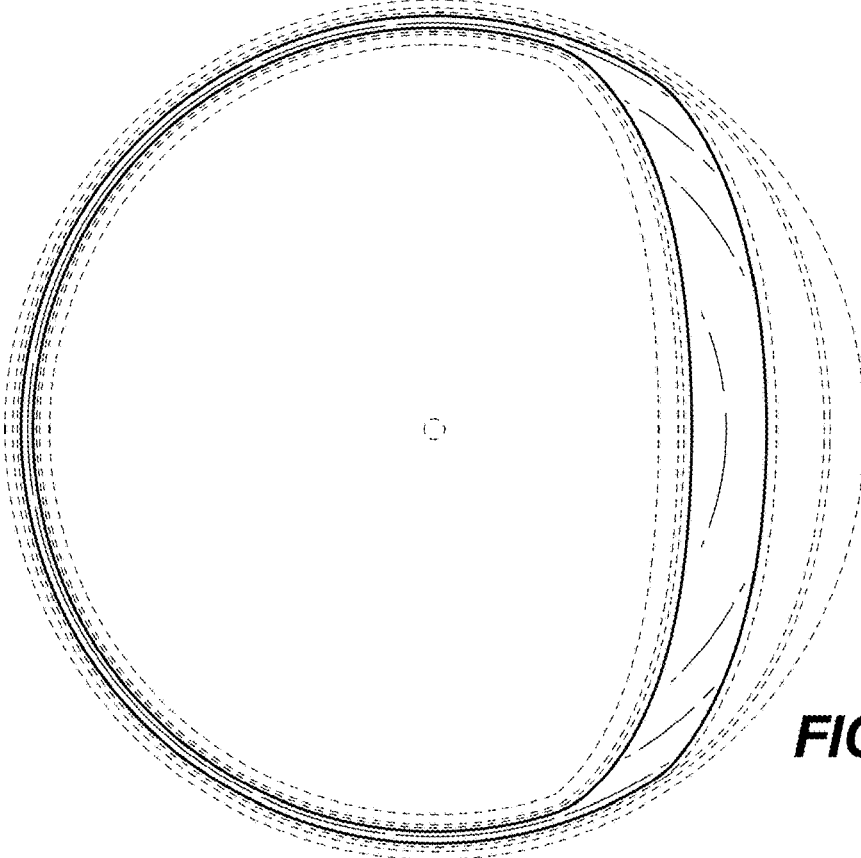


FIG. 7