



US00D637880S

(12) **United States Design Patent**  
**Kenny et al.**

(10) **Patent No.:** **US D637,880 S**

(45) **Date of Patent:** **\*\* May 17, 2011**

(54) **DRILL TIP**

(75) Inventors: **Matthew Kenny**, Hamilton (AU);  
**Steven Weaver**, Fletcher (AU)

(73) Assignee: **Sandvik Intellectual Property AB**,  
Sandviken (SE)

(\*\*) Term: **14 Years**

(21) Appl. No.: **29/352,152**

(22) Filed: **Dec. 17, 2009**

(30) **Foreign Application Priority Data**

Jun. 19, 2009 (AU) ..... 12216/2009

(51) **LOC (9) Cl.** ..... **08-05**

(52) **U.S. Cl.** ..... **D8/70; D15/139**

(58) **Field of Classification Search** ..... D8/70;  
D15/139; 175/417, 420.1; 405/259.1; 411/387.1,  
411/387.5, 395

See application file for complete search history.

(56) **References Cited**

**U.S. PATENT DOCUMENTS**

|              |      |         |               |       |           |
|--------------|------|---------|---------------|-------|-----------|
| 5,433,281    | A *  | 7/1995  | Black         | ..... | 175/420.1 |
| 6,309,159    | B1   | 10/2001 | Weaver et al. |       |           |
| 6,945,340    | B2 * | 9/2005  | Bise et al.   | ..... | 175/430   |
| 7,051,822    | B2   | 5/2006  | Barry         |       |           |
| D624,097     | S *  | 9/2010  | Kenny et al.  | ..... | D15/139   |
| 2002/0053473 | A1 * | 5/2002  | Knoller       | ..... | 175/417   |
| 2004/0089481 | A1 * | 5/2004  | Bise et al.   | ..... | 175/427   |
| 2004/0245023 | A1 * | 12/2004 | Barry         | ..... | 175/420.1 |
| 2007/0000701 | A1 * | 1/2007  | Weaver        | ..... | 175/420.1 |

**FOREIGN PATENT DOCUMENTS**

AU 104790 S 8/1989

**OTHER PUBLICATIONS**

English translation of Russian Office Action mailed issued in Russian Application No. 2009503412.

\* cited by examiner

*Primary Examiner* — Antoine D Davis

(74) *Attorney, Agent, or Firm* — Drinker Biddle & Reath LLP

(57) **CLAIM**

We claim the ornamental design for a drill tip, as shown and described.

**DESCRIPTION**

FIG. 1 shows a drill tip in a front view.

FIG. 2 shows a side view from the left side of the drill tip in FIG. 1.

FIG. 3 shows a side view from the right side of the drill tip in FIG. 1.

FIG. 4 shows the drill tip in a rear view of the drill tip in FIG. 1.

FIG. 5 shows a top view from the upper side of the drill tip in FIG. 1.

FIG. 6 shows a perspective front view of the drill tip for percussive drilling; and,

FIG. 7 shows a bottom view of the drill tip for percussive drilling.

**1 Claim, 2 Drawing Sheets**

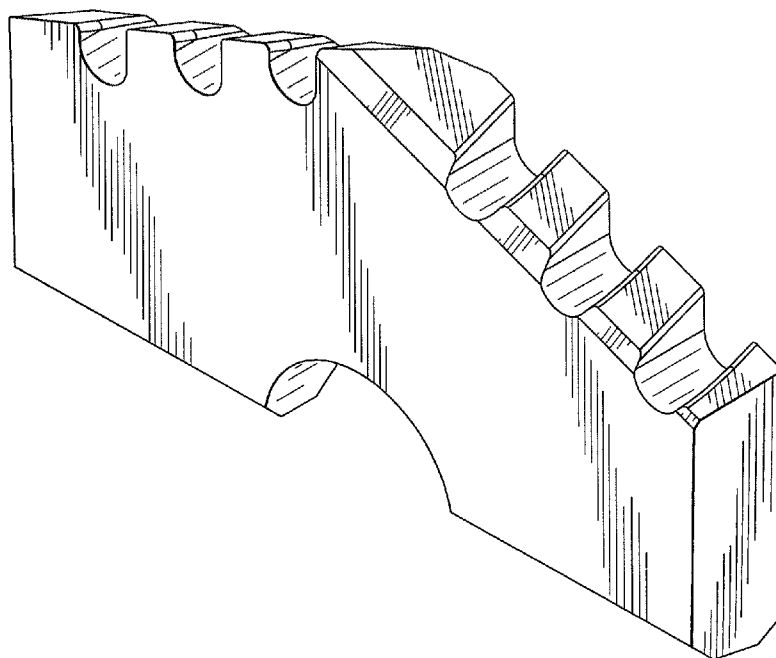


FIG. 1

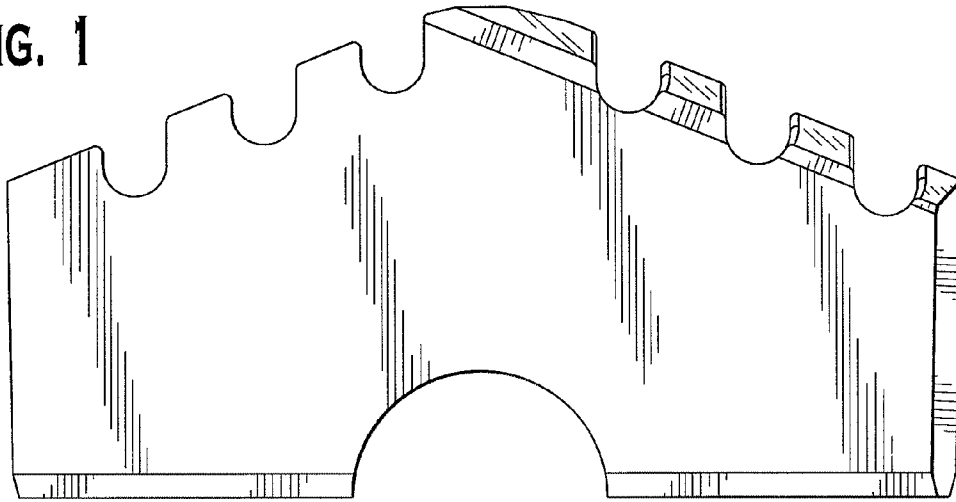


FIG. 2

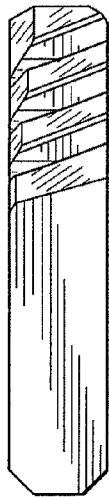


FIG. 3

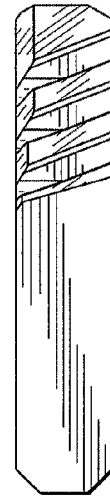


FIG. 4

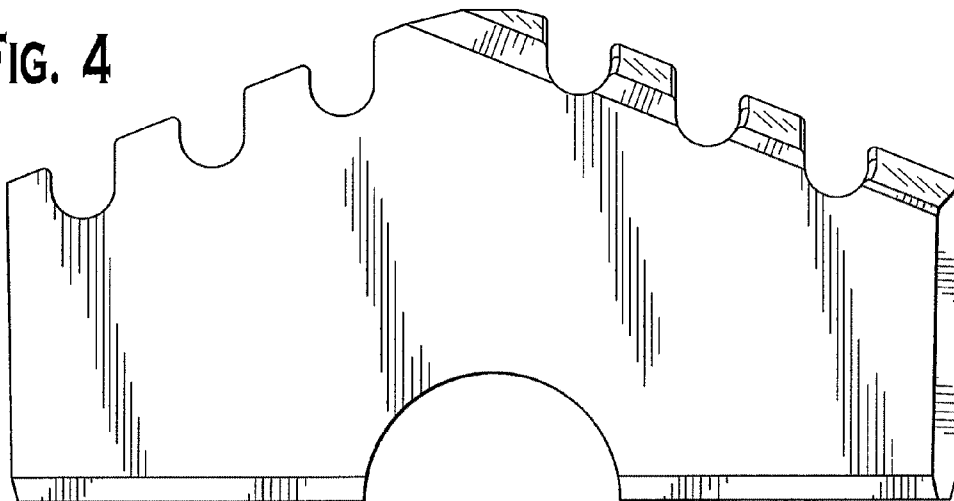


FIG. 5

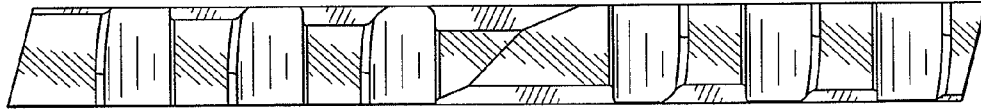


FIG. 6

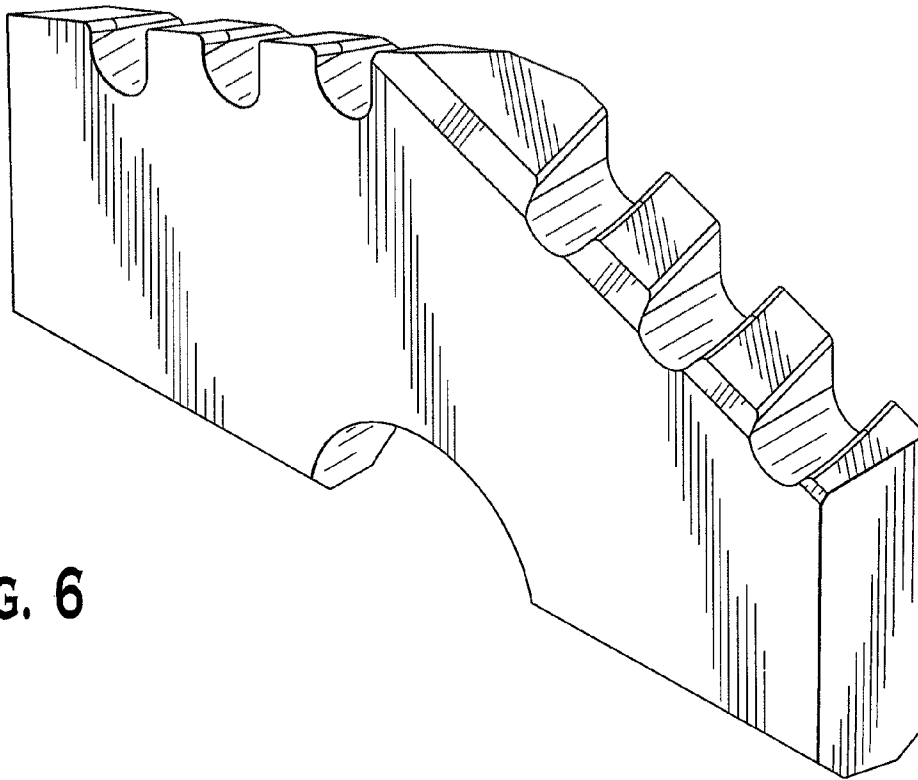


FIG. 7

