



US0D1001501S

(12) **United States Design Patent**
Dugoni

(10) **Patent No.:** **US D1,001,501 S**

(45) **Date of Patent:** **** Oct. 17, 2023**

(54) **COMBINED ELECTRONICS TRAY AND CONTAINER**

(71) Applicant: **Yondr, Inc.**, Glendale, CA (US)

(72) Inventor: **Graham Dugoni**, San Francisco, CA (US)

(73) Assignee: **YONDR, INC.**, San Francisco, CA (US)

(**) Term: **15 Years**

(21) Appl. No.: **29/815,320**

(22) Filed: **Nov. 12, 2021**

(51) **LOC (14) Cl.** **03-01**

(52) **U.S. Cl.**

USPC **D3/294**

(58) **Field of Classification Search**

USPC D3/20, 200, 201, 203.1, 203.2, 203.3,
D3/203.4, 203.5, 203.6, 203.7, 203.8,
D3/205-207, 212, 218, 220, 222,
D3/224-226, 228, 230, 232, 234,
D3/242-246, 259, 269, 270, 271.1, 271.3,
D3/271.4, 272-276, 278, 279, 303, 304,
D3/900-905; D7/589, 391; D9/731, 415;
D13/184; D14/203.4, 203.6, 204,
(Continued)

(56) **References Cited**

U.S. PATENT DOCUMENTS

D110,006 S * 6/1938 Marcell D3/901
D165,385 S * 12/1951 Maage, Jr. D99/36
(Continued)

FOREIGN PATENT DOCUMENTS

CN 305815110 * 6/2020
CN 306305545 * 2/2021
(Continued)

OTHER PUBLICATIONS

IDiskk Phone Lock Box, available at amazon.com, earliest date available Sep. 23, 2020 [online], site visited Apr. 4, 2023, available from the internet URL: <https://www.amazon.com/iDiskk-Self-Control-Samsung-Electronic-Students/dp/B08JSMQ2GC?th=1> (Year: 2020),*

(Continued)

Primary Examiner — April Rivas
Assistant Examiner — Jillian Mazzola

(74) *Attorney, Agent, or Firm* — Schwabe, Williamson & Wyatt, P.C.

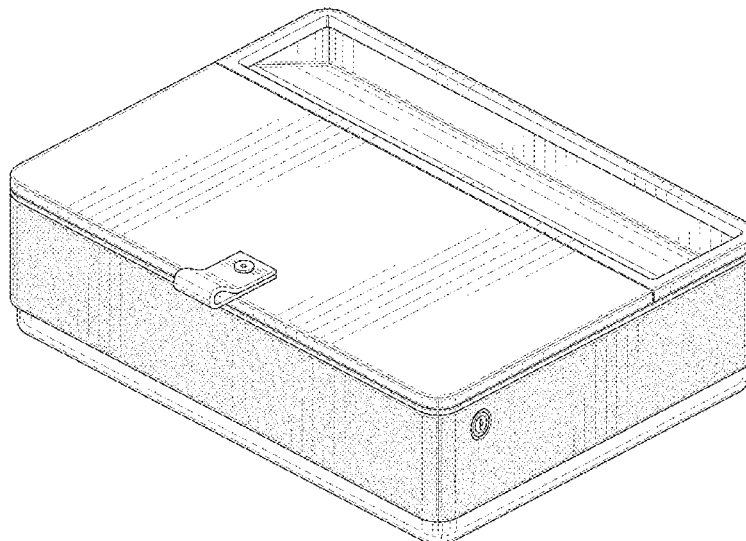
(57) **CLAIM**

The ornamental design for a combined electronics tray and container, as shown and described.

DESCRIPTION

FIG. 1 is a top perspective view of a combined electronics tray and container according to the present invention; FIG. 2 is a front view of the combined electronics tray and container according to the present invention; FIG. 3 is a rear view of the combined electronics tray and container according to the present invention; FIG. 4 is a left side view of the combined electronics tray and container according to the present invention; FIG. 5 is a right side view of the combined electronics tray and container according to the present invention; FIG. 6 is a top view of the combined electronics tray and container according to the present invention; and, FIG. 7 is a bottom view of the combined electronics tray and container according to the present invention. The broken lines shown in the drawings are for the purpose of illustrating portions of the combined electronics tray and container that form no part of the claimed design.

1 Claim, 5 Drawing Sheets



(58) **Field of Classification Search**

USPC D14/509-511; D23/202, 206; D27/127,
 D27/144, 186; D28/73; D99/28
 CPC A45C 1/00; A45C 1/02; A45C 2001/003;
 A45C 2001/006; A45C 5/00; A45C
 5/005; A45C 5/03; A45C 5/04; A45C
 5/14; A45C 5/141; A45C 2005/032; A45C
 2005/037; A45C 2005/10; A45C
 2005/142; A45C 11/00; A45C 11/20;
 A45C 11/24; A45C 11/34; A45C 11/36;
 A45C 11/38; A45C 2011/007; A45C
 2011/322; A61J 1/00; A61J 1/07; A61J
 1/03; B65D 83/04

See application file for complete search history.

(56) **References Cited**

U.S. PATENT DOCUMENTS

D332,007 S * 12/1992 McAullay D11/79
 D565,837 S * 4/2008 Miles D3/203.1
 7,581,419 B2 9/2009 Belden, Jr. et al.
 D606,393 S * 12/2009 Easterbrook D9/423
 7,891,220 B2 2/2011 Yen et al.
 8,207,849 B2 6/2012 Belden, Jr. et al.
 D708,841 S * 7/2014 Hebert D3/205
 9,002,288 B1 4/2015 Reible
 D964,015 S * 9/2022 Yoo D3/234
 D972,511 S * 12/2022 Lu D13/118

D977,820 S * 2/2023 Mehregany D3/203.1
 D977,918 S * 2/2023 Xu D7/703
 D979,175 S * 2/2023 Wang D99/28
 2014/0123715 A1 5/2014 Bergum et al.
 2017/0270730 A1 9/2017 Johnson et al.
 2020/0005238 A1 1/2020 Richardson et al.
 2023/0062587 A1* 3/2023 Norbeck A61J 1/065

FOREIGN PATENT DOCUMENTS

CN 306355868 * 3/2021
 GB 6261389 * 3/2023

OTHER PUBLICATIONS

Sentry Safe Portable Safe, available at grainger.com, date not available [online], site visited Apr. 4, 2023, available from the internet URL: <https://www.grainger.com/product/29RV66?g> (Year: 2023).*

Drop-In Deal Tray, available at ebay.com, earliest date available Jun. 29, 2017 [online], site visited Apr. 4, 2023, available from the internet URL: <https://www.ebay.com/itm/132194200658?> (Year: 2017).*

Smart Phone Downtime Box, Black, available at wayfair.com, earliest customer review date May 11, 2022 [online], site visited Apr. 4, 2023, available from the internet URL: <https://www.wayfair.com/Juggernaut-Storage--Smart-Phone-Downtime-Box-Black-SPDB0806-L1223-K~JGGE1031.html?> (Year: 2022).*

* cited by examiner

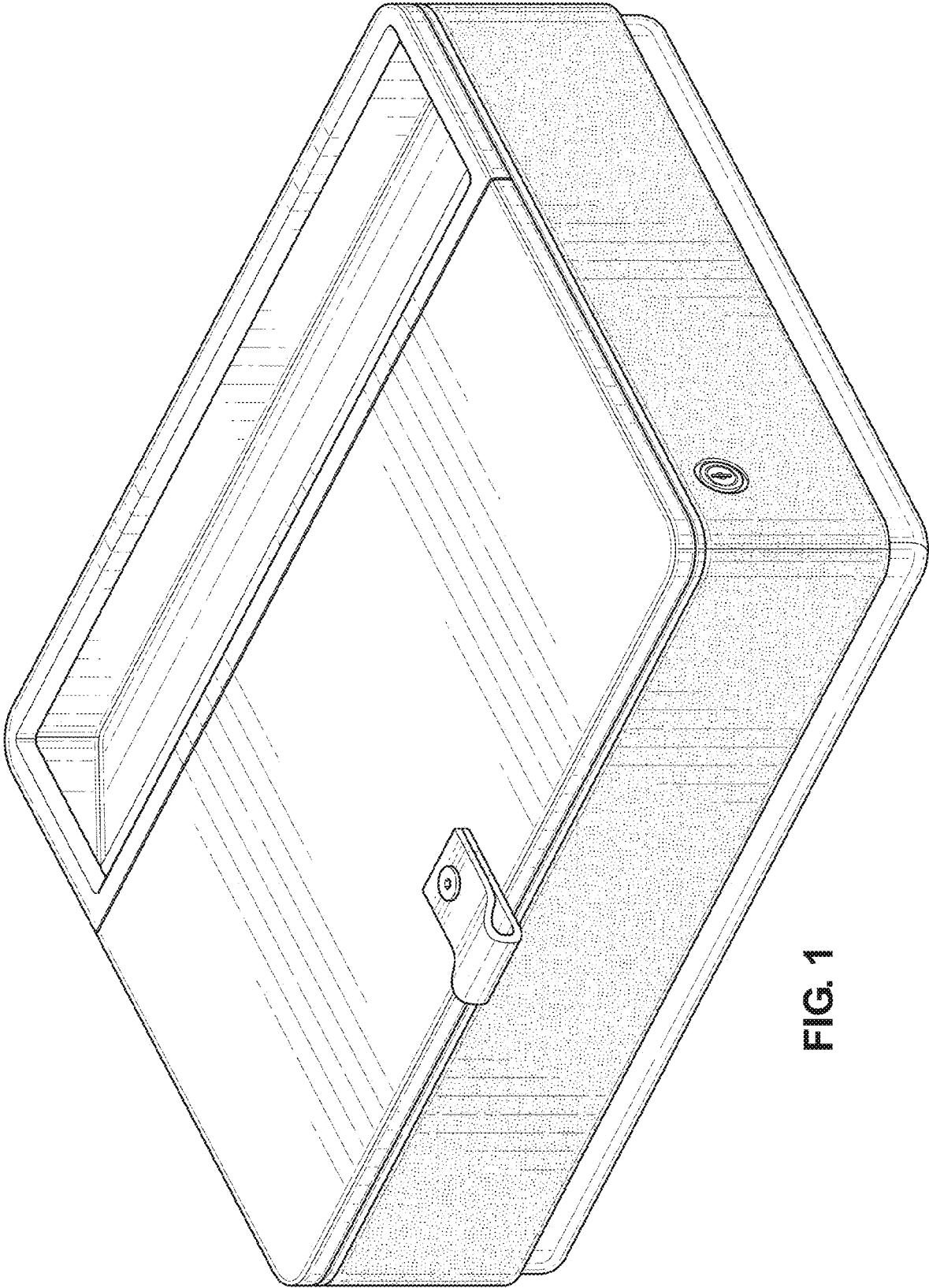


FIG. 1

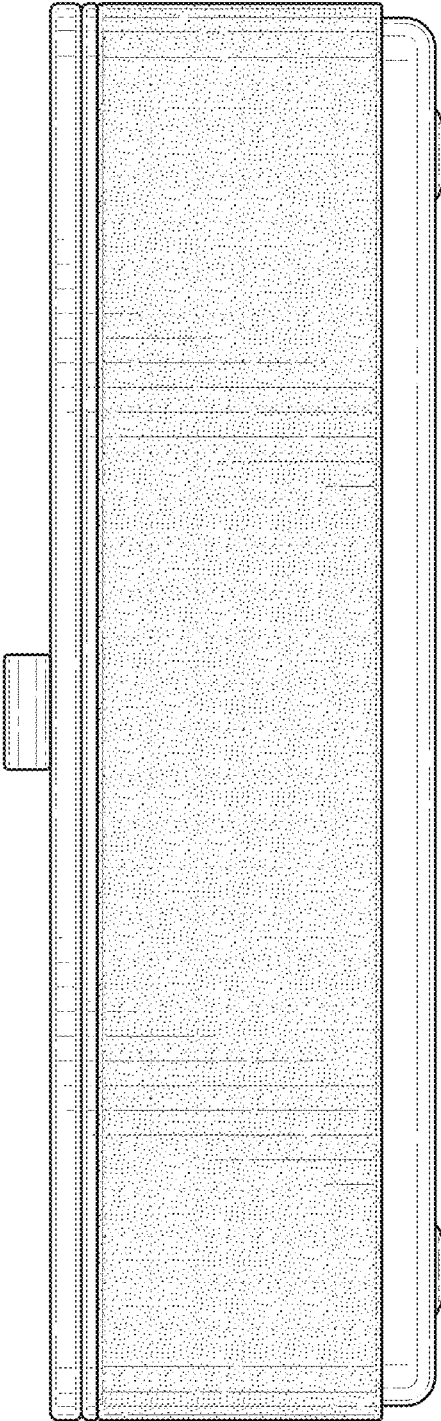


FIG. 2

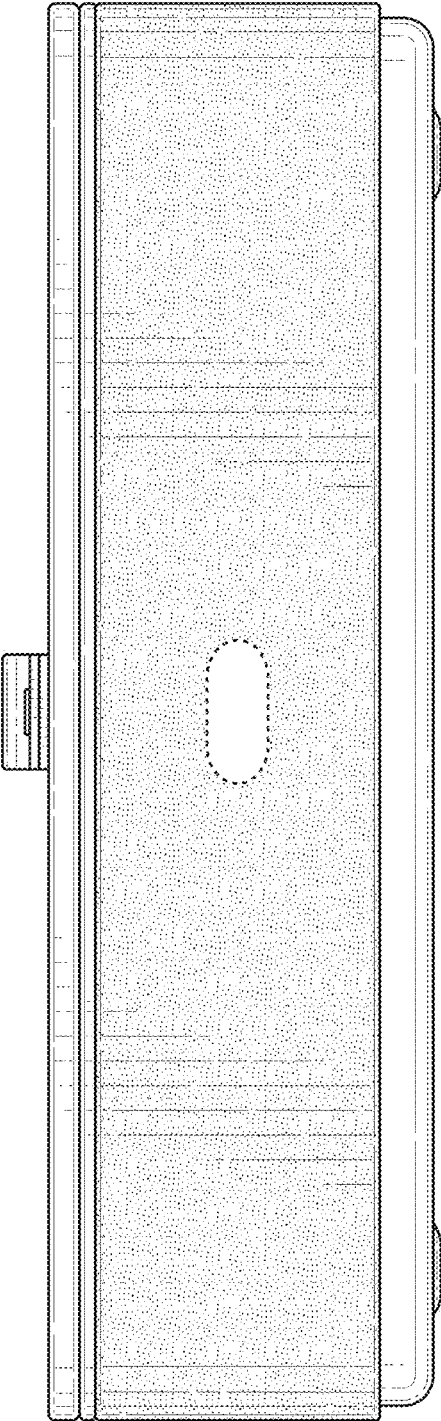


FIG. 3

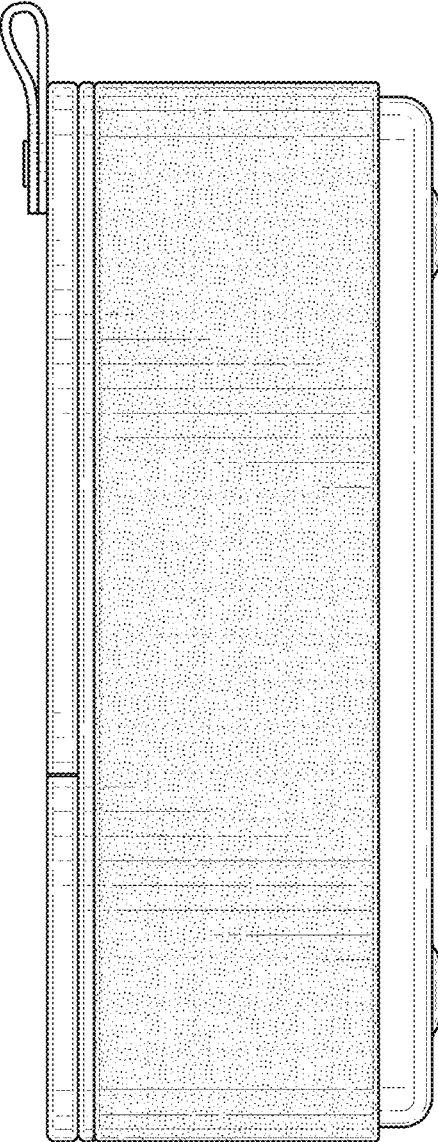


FIG. 4

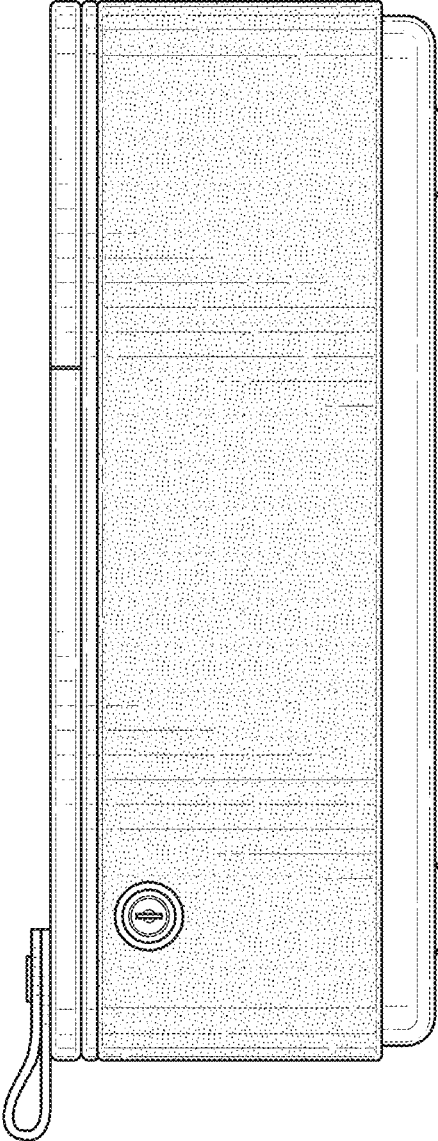


FIG. 5

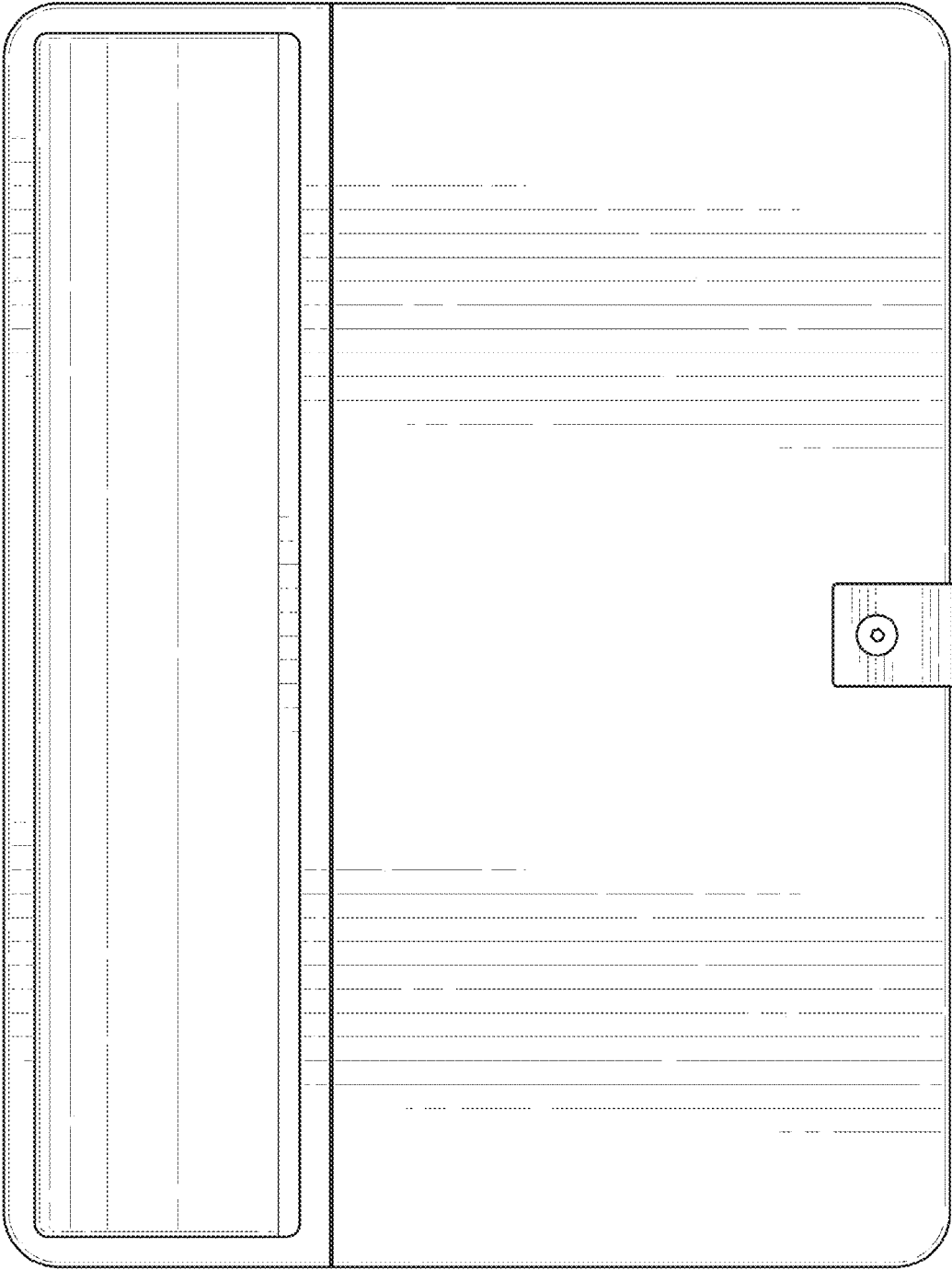


FIG. 6

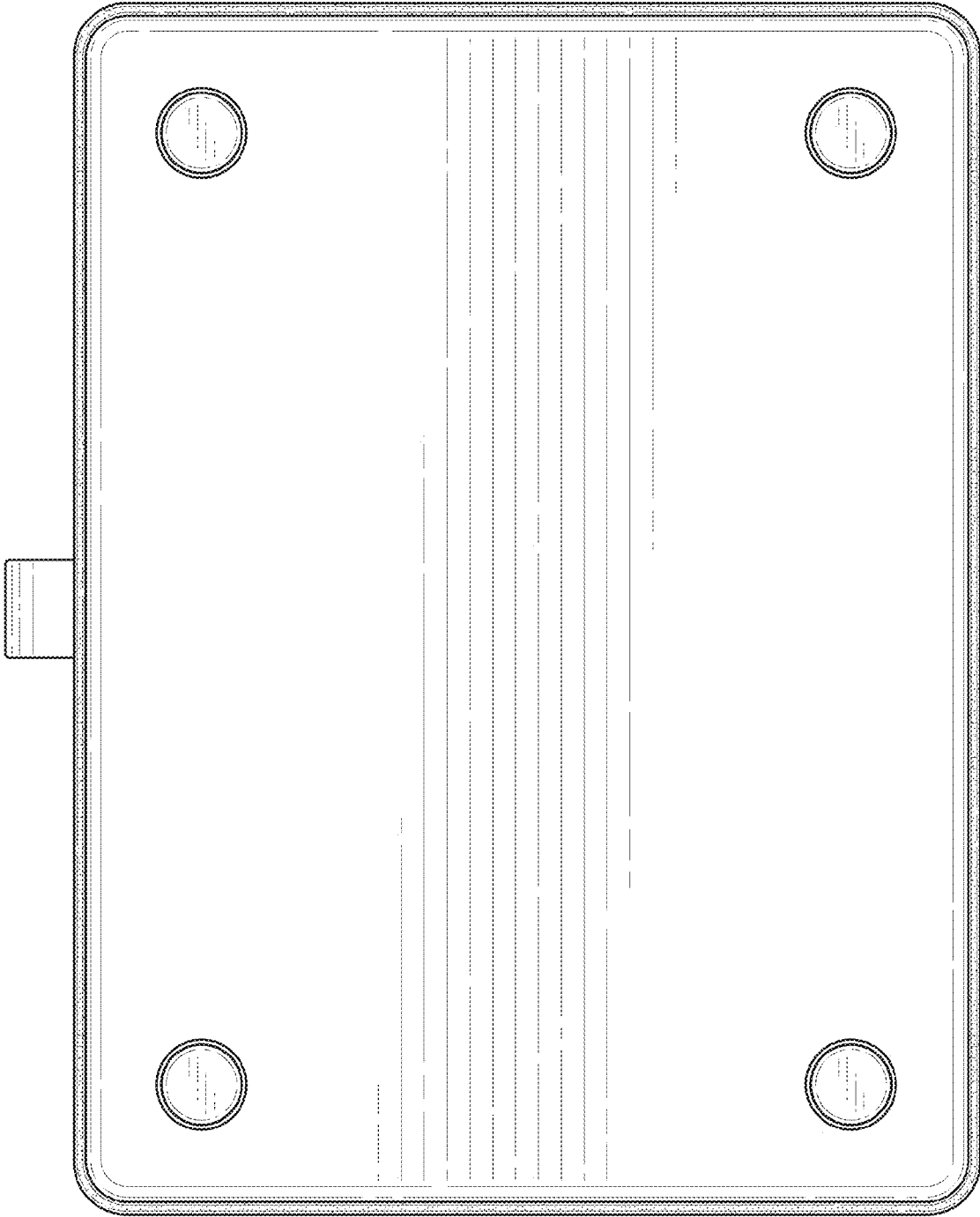


FIG. 7