



US00D463963S

(12) **United States Design Patent**  
Metaxatos et al.

(10) **Patent No.:** **US D463,963 S**

(45) **Date of Patent:** **\*\* Oct. 8, 2002**

(54) **JIGSAW**

(75) **Inventors:** **Paul Metaxatos**, Brookline, MA (US);  
**Chris Switalski**, Suffield, CT (US);  
**Jason Schickerling**, Mount Prospect, IL (US)

(73) **Assignee:** **S-B Power Tool Company**, Chicago, IL (US)

(\*\*) **Term:** **14 Years**

(21) **Appl. No.:** **29/152,315**

(22) **Filed:** **Dec. 13, 2001**

(51) **LOC (7) Cl.** ..... **08-03**

(52) **U.S. Cl.** ..... **D8/64**

(58) **Field of Search** ..... D8/61, 62, 63,  
D8/64, 66, 67, 68, 69, 70; 30/374, 375,  
376, 377, 388, 389, 390, 391, 392, 393,  
394; 173/15, 47, 48, 109, 169, 170, 216,  
217; 310/50

(56) **References Cited**

**U.S. PATENT DOCUMENTS**

5,188,188 A \* 2/1993 Mars ..... 30/394

D339,276 S \* 9/1993 Matsuoka et al. .... D8/64  
D414,094 S \* 9/1999 Heun ..... D8/64  
D440,474 S \* 4/2001 Heun ..... D8/64  
6,286,611 B1 \* 9/2001 Bone ..... 173/217  
D451,356 S \* 12/2001 Pretzell ..... D8/64  
6,357,354 B1 \* 3/2002 Buetow et al. .... 173/217

\* cited by examiner

*Primary Examiner*—Doris V. Coles

*Assistant Examiner*—Elizabeth A. Albert

(74) *Attorney, Agent, or Firm*—Leo H McCormick, Jr.;  
Warren Comstock

(57) **CLAIM**

The ornamental design for a jigsaw, as shown and described.

**DESCRIPTION**

FIG. 1 is a perspective view of a jigsaw showing our new design;

FIG. 2 is a right side elevation view thereof;

FIG. 3 is a left side elevation view thereof;

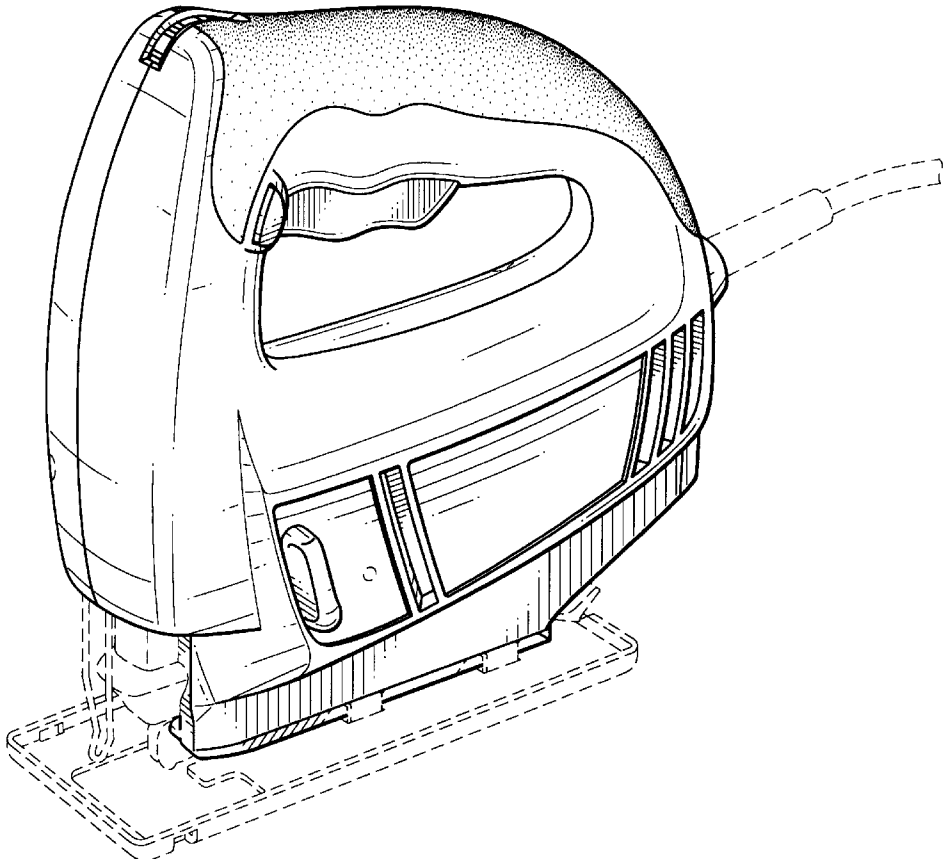
FIG. 4 is a top plan view thereof;

FIG. 5 is a bottom plan view thereof;

FIG. 6 is a front elevation view thereof; and,

FIG. 7 is a rear elevation view thereof.

**1 Claim, 5 Drawing Sheets**



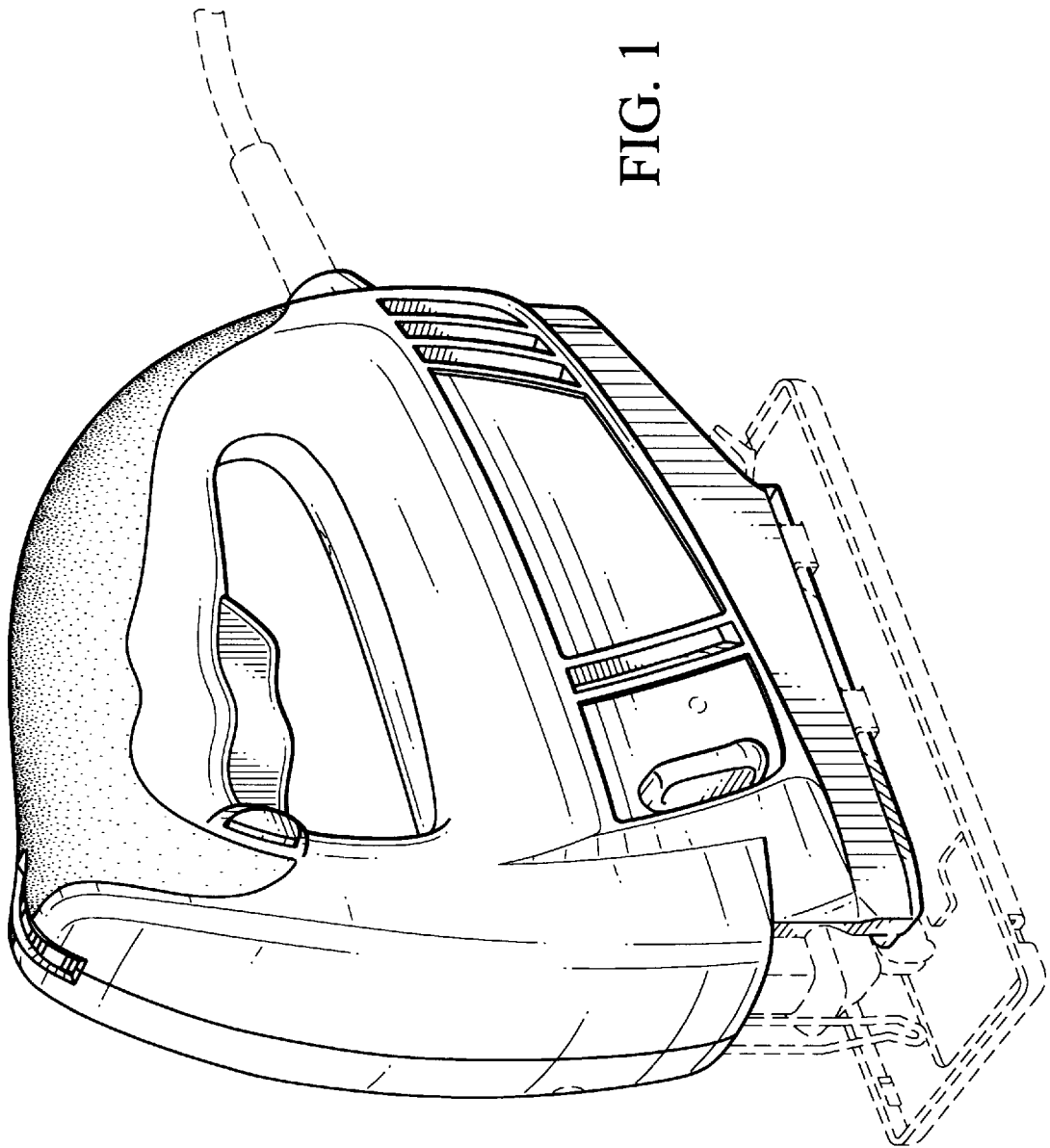


FIG. 1

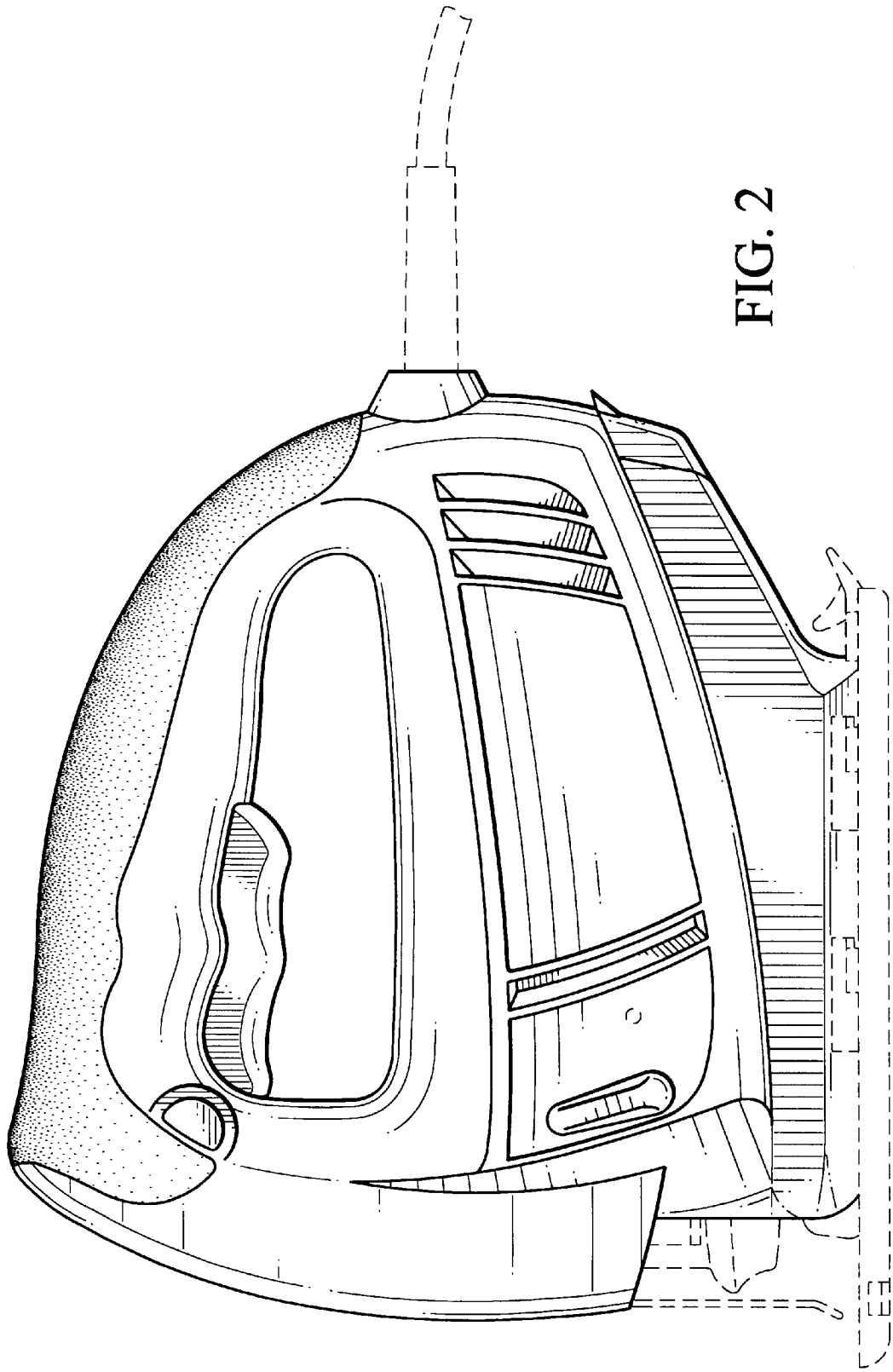


FIG. 2

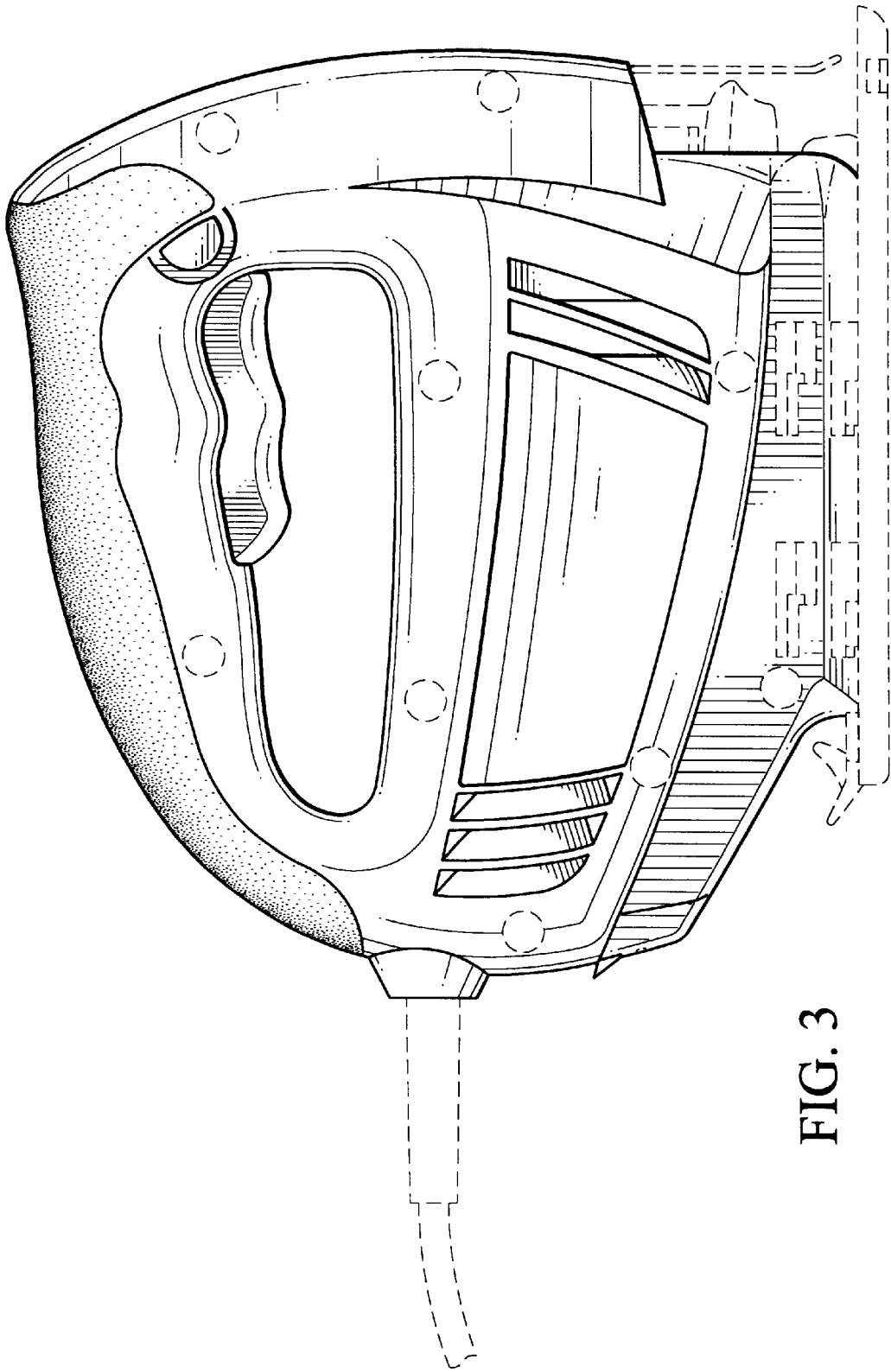


FIG. 3

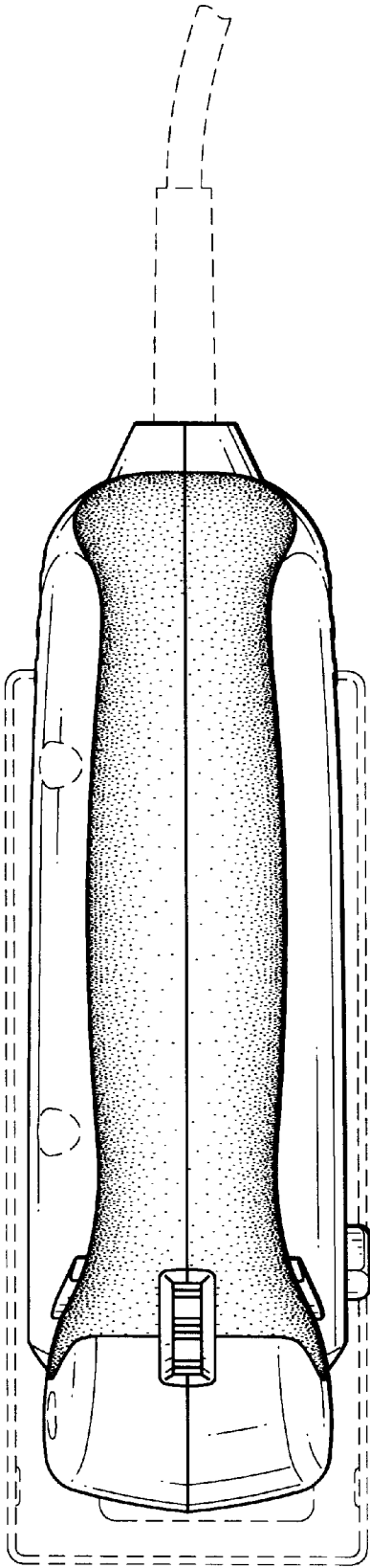


FIG. 4

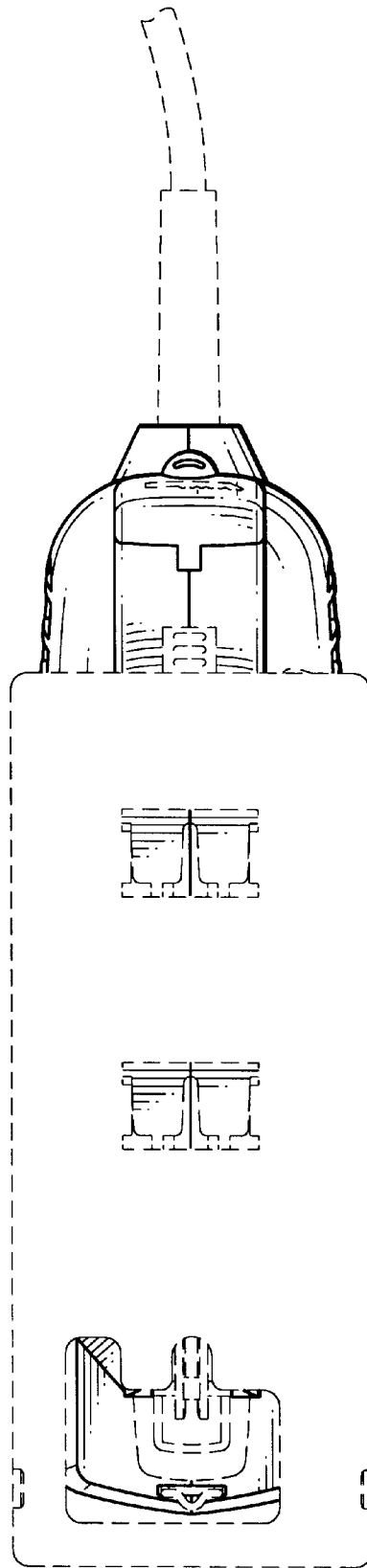


FIG. 5

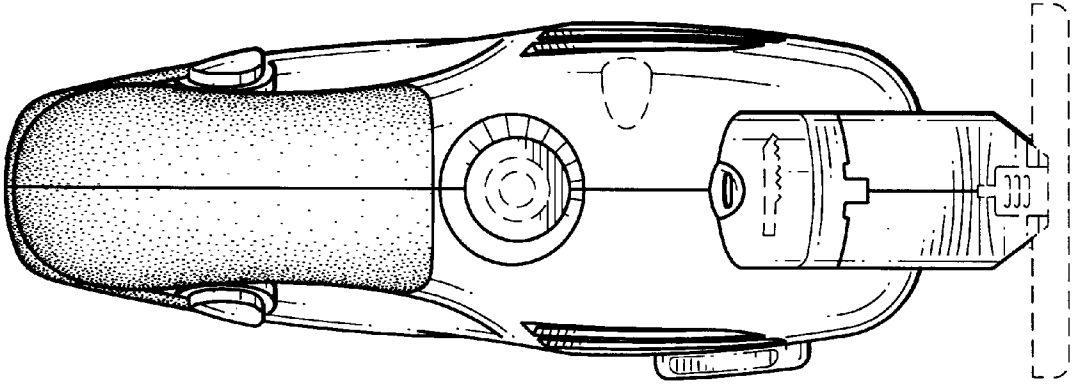


FIG. 7

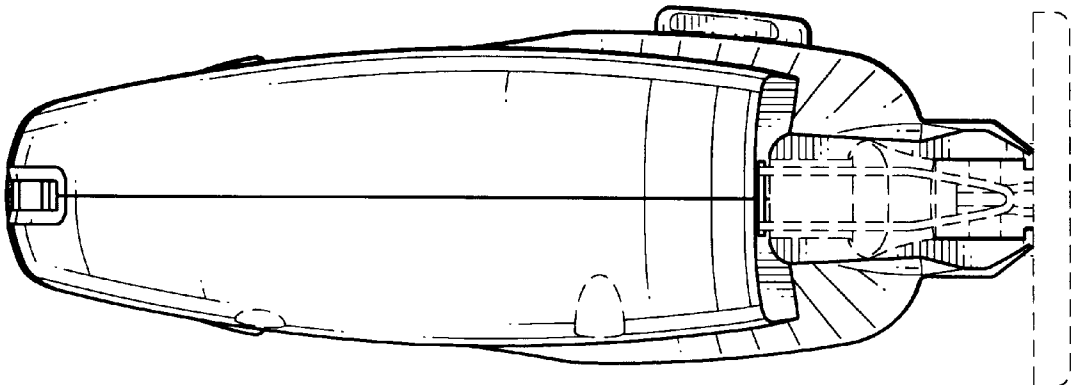


FIG. 6