



US00D782340S

(12) **United States Design Patent**  
**Ericksen et al.**

(10) **Patent No.:** **US D782,340 S**

(45) **Date of Patent:** **\*\* Mar. 28, 2017**

(54) **TIMER**

(71) Applicant: **Orbit Irrigation Products, Inc.**, North Salt Lake, UT (US)

(72) Inventors: **Kent C. Ericksen**, Centerville, UT (US); **Karl L. Connolly**, Bountiful, UT (US); **Jeffrey C. Thurgood**, Severance, CO (US)

(73) Assignee: **Orbit Irrigation Products, Inc.**, North Salt Lake, UT (US)

(\*\*) Term: **15 Years**

(21) Appl. No.: **29/553,698**

(22) Filed: **Feb. 3, 2016**

**Related U.S. Application Data**

(60) Continuation of application No. 29/532,141, filed on Jul. 1, 2015, now Pat. No. Des. 770,311, which is a continuation of application No. 29/500,449, filed on Aug. 25, 2014, now Pat. No. Des. 736,104, which is a division of application No. 29/450,680, filed on Mar. 20, 2013, now Pat. No. Des. 713,271.

(51) **LOC (10) Cl.** ..... **10-03**

(52) **U.S. Cl.**  
USPC ..... **D10/40**

(58) **Field of Classification Search**  
USPC ..... D10/40, 122; D13/162.1; D23/245, 246  
CPC ..... A01G 25/00; A01G 25/16; A01G 25/162;  
A01G 25/165; B05B 12/00; B05B 12/02;  
F16K 31/48; G09B 17/00; G05D 7/00;  
G05D 7/08; G05D 7/0635; B44B 5/009

See application file for complete search history.

(56) **References Cited**

**U.S. PATENT DOCUMENTS**

|               |        |                    |                         |
|---------------|--------|--------------------|-------------------------|
| D53,726 S     | 8/1919 | Berge              |                         |
| 1,841,369 A * | 1/1932 | Freeman            | G09B 17/00<br>273/157 R |
| 1,865,965 A   | 7/1932 | Ruiz               |                         |
| D191,294 S    | 9/1961 | Charnota et al.    |                         |
| 3,643,303 A * | 2/1972 | Kanarek            | B44B 5/009<br>101/28    |
| 4,562,865 A   | 1/1986 | Lemkin et al.      |                         |
| D282,446 S    | 2/1986 | Gremontprez et al. |                         |
| D295,778 S    | 5/1988 | Bruninga et al.    |                         |
| 4,807,664 A   | 2/1989 | Wilson et al.      |                         |
| D309,175 S    | 7/1990 | Hastings et al.    |                         |
| 4,951,204 A   | 8/1990 | Mylne, III         |                         |

(Continued)

**OTHER PUBLICATIONS**

U.S. Appl. No. 29/532,141, filed Jul. 1, 2015, Orbit Irrigation Products, Inc.

(Continued)

*Primary Examiner* — Sandra Snapp

(74) *Attorney, Agent, or Firm* — Austin Rapp & Hardman

(57)

**CLAIM**

The ornamental design for a timer, as shown and described.

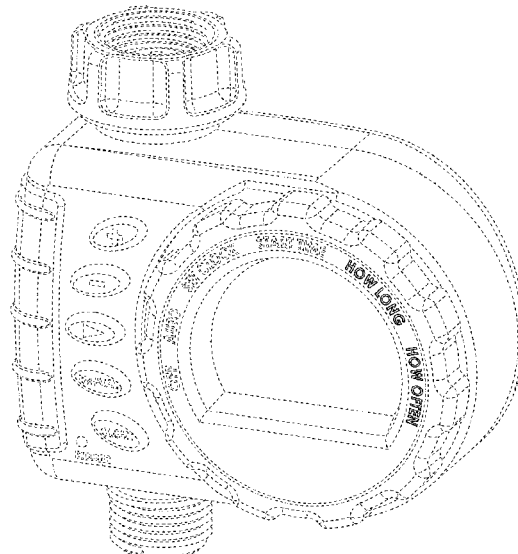
**DESCRIPTION**

FIG. 1 is front, perspective view of a timer, according to our new design;

FIG. 2 is a front view of the timer shown in FIG. 1; and, FIG. 3 is an enlarged view of the area identified by reference numeral 3 in FIG. 2.

The features depicted in evenly spaced dashed lines are shown to illustrate portions of the timer that form no part of the claimed design. The dot-dot-dash lines shown in the drawings depict boundaries and form no part of the claimed design.

**1 Claim, 3 Drawing Sheets**



(56)

References Cited

U.S. PATENT DOCUMENTS

|              |      |         |                  |             |
|--------------|------|---------|------------------|-------------|
| 5,135,168    | A    | 8/1992  | Wang             |             |
| 5,262,936    | A    | 11/1993 | Faris et al.     |             |
| D365,771     | S    | 1/1996  | Clivio           |             |
| D386,985     | S    | 12/1997 | Cameron          |             |
| D388,818     | S *  | 1/1998  | Bajic .....      | D18/26      |
| D400,568     | S *  | 11/1998 | Jacobi, Jr. .... | D18/24      |
| D427,085     | S    | 6/2000  | Steinhagen       |             |
| D450,604     | S    | 11/2001 | Stekelenburg     |             |
| D452,695     | S    | 1/2002  | Miller           |             |
| D467,187     | S *  | 12/2002 | Clivio .....     | D10/40      |
| D467,821     | S    | 12/2002 | Ogawa            |             |
| D476,240     | S    | 6/2003  | Kuramochi et al. |             |
| D485,502     | S    | 1/2004  | Clivio           |             |
| D507,243     | S    | 7/2005  | Miller           |             |
| 7,225,057    | B2   | 5/2007  | Froman et al.    |             |
| 7,252,113    | B2   | 8/2007  | Jacobs et al.    |             |
| 7,404,415    | B2   | 7/2008  | Jacobs et al.    |             |
| D582,797     | S    | 12/2008 | Fraser et al.    |             |
| D636,278     | S    | 4/2011  | Franchini        |             |
| D643,755     | S    | 8/2011  | Nies et al.      |             |
| D647,411     | S    | 10/2011 | Barton et al.    |             |
| D657,263     | S    | 4/2012  | Nies et al.      |             |
| D657,264     | S    | 4/2012  | Nies et al.      |             |
| 8,160,750    | B2   | 4/2012  | Weiler           |             |
| D658,519     | S    | 5/2012  | Connolly et al.  |             |
| D659,029     | S    | 5/2012  | Connolly et al.  |             |
| 8,251,300    | B2   | 8/2012  | Wilson           |             |
| D679,259     | S    | 4/2013  | Franchini        |             |
| D679,260     | S    | 4/2013  | Franchini        |             |
| D682,714     | S *  | 5/2013  | Barton .....     | D10/40      |
| D705,087     | S *  | 5/2014  | Monachon .....   | D10/31      |
| D713,271     | S *  | 9/2014  | Ericksen .....   | A01G 25/165 |
|              |      |         |                  | D10/40      |
| D729,639     | S *  | 5/2015  | Lin .....        | D10/40      |
| D736,104     | S    | 8/2015  | Ericksen et al.  |             |
| D750,506     | S    | 3/2016  | Ericksen et al.  |             |
| D750,977     | S    | 3/2016  | Ericksen et al.  |             |
| D764,950     | S *  | 8/2016  | Cheng .....      | D10/40      |
| D764,951     | S *  | 8/2016  | Cheng .....      | D10/40      |
| D769,742     | S *  | 10/2016 | Cheng .....      | D10/40      |
| D770,311     | S    | 11/2016 | Ericksen et al.  |             |
| D770,918     | S *  | 11/2016 | Cheng .....      | D10/40      |
| D772,083     | S *  | 11/2016 | Cheng .....      | D10/40      |
| D772,732     | S *  | 11/2016 | Lin .....        | D10/40      |
| 2006/0011243 | A1   | 1/2006  | Jacobs et al.    |             |
| 2009/0001193 | A1   | 1/2009  | Parsons et al.   |             |
| 2010/0230510 | A1 * | 9/2010  | Wilson .....     | A01G 25/165 |
|              |      |         |                  | 239/70      |

OTHER PUBLICATIONS

U.S. Appl. No. 29/546,843, filed Nov. 25, 2015, Orbit Irrigation Products, Inc.  
 U.S. Appl. No. 29/546,847, filed Nov. 25, 2015, Orbit Irrigation Products, Inc.  
 Orbit Irrigation Products, Inc., The product(s) shown in attachment 1 were sold or offered for sale by Orbit Irrigation Products, Inc., on or before Nov. 2008.  
 Robert Bosch Tool Corporation, The product(s) shown in attachment 2 were sold or offered for sale by Robert Bosch Tool Corporation under the brand name Nelson on or before Mar. 19, 2013.  
 Melnor, Inc., The product(s) shown in attachment 3 were sold or offered for sale by Melnor, Inc., on or before Mar. 19, 2013.  
 Melnor, Inc., AquaTimers, Web page retrieved on Jun. 17, 2013, apparently published on or before Feb. 10, 2012, web.archive.org/web/20120210191541/http://www.melnor.com/products-aquatimers.php.  
 Melnor, Inc., AquaTimers, Web page retrieved on Jun. 17, 2013, apparently published on or before Jun. 24, 2012, web.archive.org/web/20120624233645/http://www.melnor.com/products-aquatimers.php.

Robert Bosch Tool Corporation, Nelson, Web page retrieved on Jun. 17, 2013, apparently published on or before Mar. 27, 2012, web.archive.org/web/20120327000229/http://www.lmelson.com/products/water-conservation2/water-timers/.  
 Robert Bosch Tool Corporation, Nelson, Web page retrieved on Jun. 17, 2013, apparently published on or before Jul. 9, 2012, web.archive.org/web/20120709203520/http://www.lmelson.com/products/water-conservation2/water-timers/.  
 Rain Bird Corporation, the product(s) shown in attachment 8 was sold or offered for sale by Rain Bird Corporation at least by Mar. 19, 2012.  
 Orbit Irrigation Products, Inc., the product(s) shown in attachment 9 were sold or offered for sale by Orbit Irrigation Products, Inc., at least by Mar. 19, 2012.  
 Orbit Irrigation Products, Inc., the product shown in attachment 10 was sold or offered for sale by Orbit Irrigation Products, Inc., at least by Mar. 19, 2012.  
 Restriction Requirement, U.S. Appl. No. 29/450,680, Mailed on Feb. 2, 2014.  
 Restriction Requirement Response, U.S. Appl. No. 29/450,680, Dated Apr. 14, 2014.  
 Restriction Requirement, U.S. Appl. No. 29/500,449, Mailed on Oct. 1, 2014.  
 Restriction Requirement Response, U.S. Appl. No. 29/500,449, Dated Dec. 1, 2014.  
 Notice of Allowance and Fees(s) Due (including a Notice of Allowability for a Design Application, a Restriction/Election section, an Examiner's Amendment section, an Amendment to the Specification section), U.S. Appl. No. 29/500,449, Mailed on Dec. 17, 2014.  
 Continued Prosecution Application, U.S. Appl. No. 29/500,449, Dated Mar. 17, 2015.  
 Notice of Allowance and Fees(s) Due (including a Notice of Allowability for a Design Application, a Continued Prosecution Application section, and Examiner's Amendment section, an Amendment to the Specification section), U.S. Appl. No. 29/500,449, Mailed on Apr. 6, 2015.  
 Notice of Allowance and Fee(s) Due (including a Notice of Allowability for a Design Application, a Restriction/Election Requirement section, an Examiner's Amendment section, an Amendment to the Drawing section and an Amendment to the Specification section), U.S. Appl. No. 29/546,843, Mailed on Dec. 30, 2015.  
 Notice of Allowance and Fee(s) Due (including a Notice of Allowability for a Design Application, a Restriction/Election Requirement section, an Examiner's Amendment section, an Amendment to the Drawing section and an Amendment to the Specification section), U.S. Appl. No. 29/532,141, Mailed on Dec. 31, 2015.  
 U.S. Appl. No. 29/532,141, Continued Prosecution Application, mailed on Mar. 30, 2016.  
 U.S. Appl. No. 29/532,141, Notice of Allowance and Fee(s) Due (including a Notice of Allowability for a Design Application, an Examiner's Amendment section, an Election/Restrictions section, a Specification section, a first Drawings section, and a second Drawings section), Mailed on Jun. 29, 2016.  
 Notice of Allowance and Fee(s) Due (including a Notice of Allowability for a Design Application, a Restriction/Election Requirement section, an Examiner's Amendment section, an Amendment to the Drawing section and an Amendment to the Specification section), U.S. Appl. No. 29/546,847, Mailed on Dec. 31, 2015.  
 Co-Pending U.S. App. No. 29/582,674, filed Oct. 28, 2016, Orbit Irrigation Products, Inc.  
 Notice of Allowance and Fee(s) Due (including a Corrected Notice of Allowability For A Design Application section, an Examiner's Comment section, and an Information Disclosure Statement section), U.S. Appl. No. 29/546,847, Mailed on Feb. 2, 2016 (shown in attachment 23).  
 Notice of Allowance and Fee(s) Due (including a Corrected Notice of Allowability For A Design Application section, an Examiner's

(56)

**References Cited**

OTHER PUBLICATIONS

Comment section, and an Information Disclosure Statement section), U.S. Appl. No. 29/546,847, Mailed on Feb. 4, 2016 (shown in attachment 24).

Notice of Allowance and Fee(s) Due (including a Corrected Notice of Allowability For A Design Application section, an Examiner's Comment Section, and an Information Disclosure Statement section), U.S. Appl. No. 29/546,843, Mailed on Jan. 29, 2016 (shown in attachment 25).

Amendment After Allowance, U.S. Appl. No. 29/546,843, Dated Jan. 15, 2016 (shown in attachment 26).

\* cited by examiner

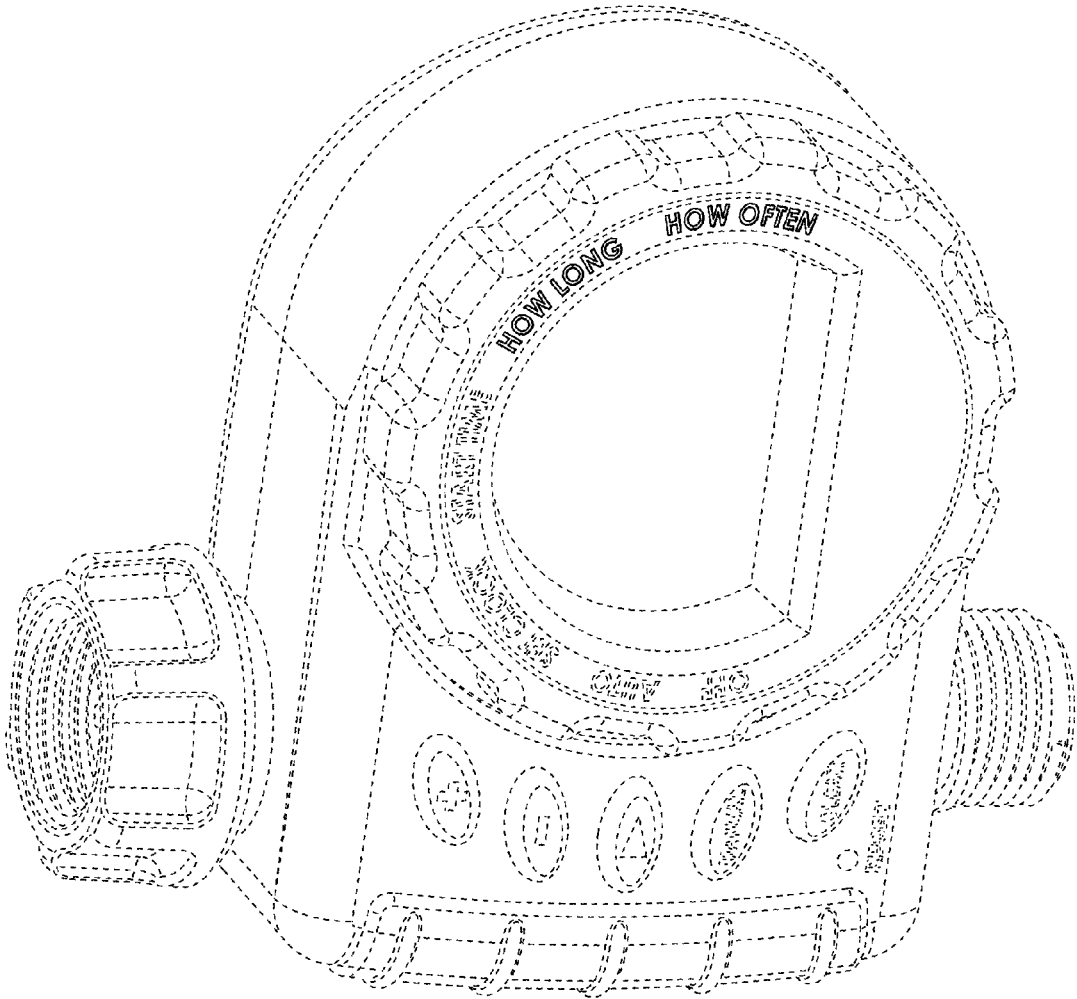
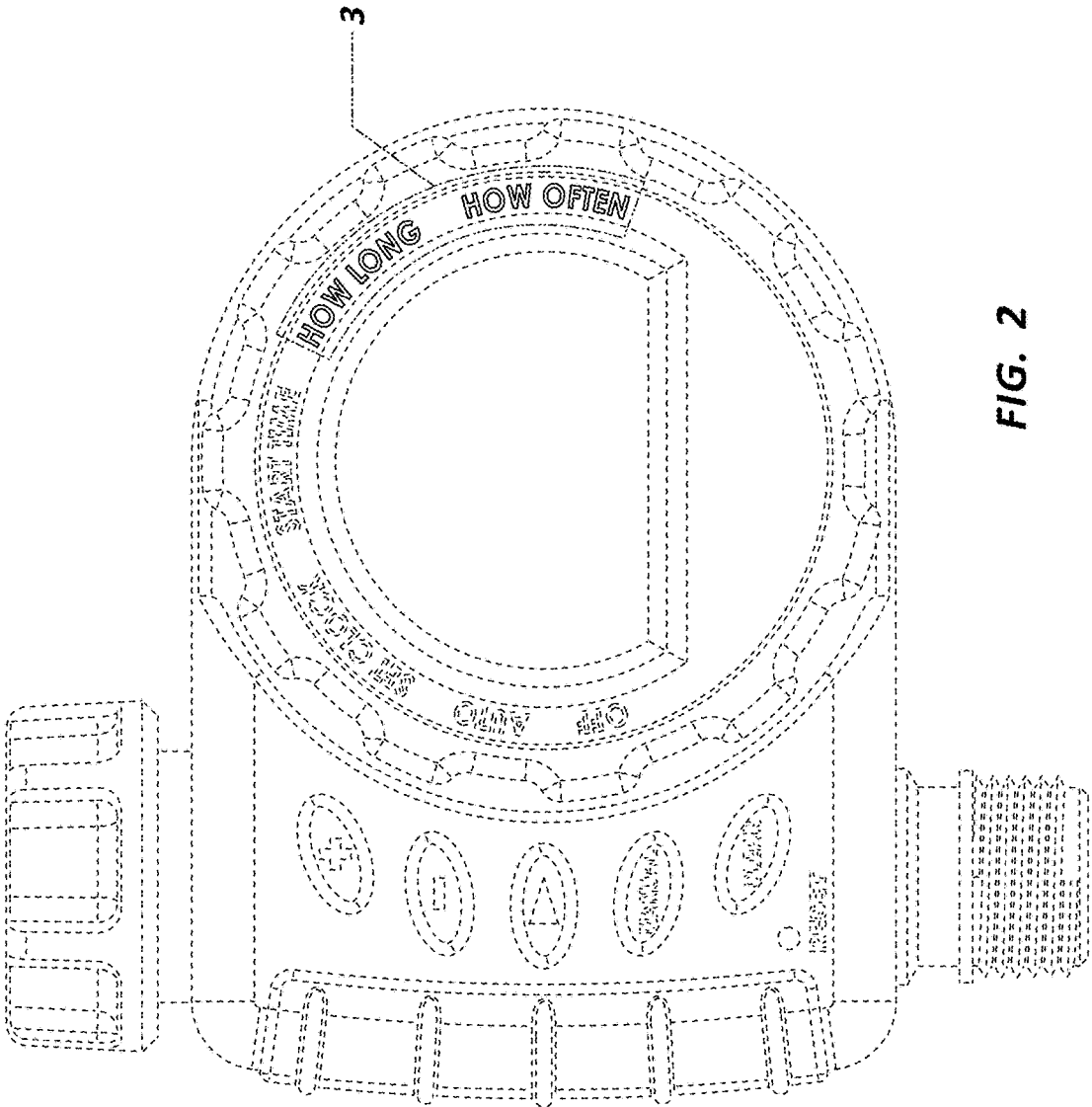


FIG. 1



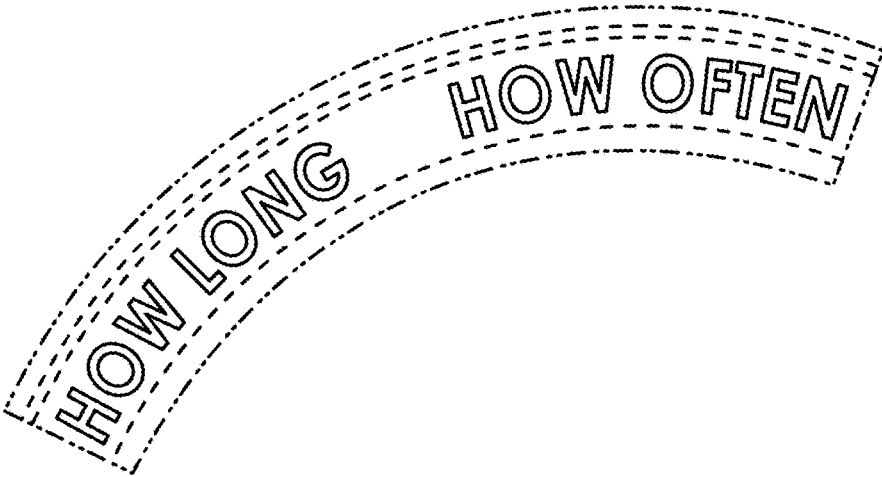


FIG. 3