



US00D794236S

(12) **United States Design Patent**  
**Kovacik et al.**

(10) **Patent No.:** **US D794,236 S**

(45) **Date of Patent:** **\*\* Aug. 8, 2017**

- (54) **TASK LIGHT**
- (71) Applicant: **Alert Stamping & Manufacturing Co., Inc.**, Bedford Heights, OH (US)
- (72) Inventors: **James D. Kovacik**, Brecksville, OH (US); **Paul S. Blanch**, Broadview Heights, OH (US)
- (73) Assignee: **Alert Stamping & Manufacturing Co., Ltd.**, Bedford Heights, OH (US)
- (\*\*) Term: **15 Years**
- (21) Appl. No.: **29/540,316**
- (22) Filed: **Sep. 23, 2015**
- (51) **LOC (10) Cl.** ..... **26-02**
- (52) **U.S. Cl.**  
USPC ..... **D26/42**
- (58) **Field of Classification Search**  
USPC ..... D26/37, 38, 40, 42, 46, 49, 51, 43, 61, D26/62  
CPC ..... F21L 2003/00; F21L 4/00; F21L 4/005; F21L 4/02; F21L 4/025; F21L 4/027; F21L 4/04; F21L 4/08; F21L 2005/00; F21L 7/00; F21L 11/00; F21L 13/00; F21L 13/04; F21L 13/08; F21L 14/02; F21L 17/00; F21L 19/00  
See application file for complete search history.

|              |         |                |        |
|--------------|---------|----------------|--------|
| D505,217 S   | 5/2005  | Bayat et al.   |        |
| D526,077 S   | 8/2006  | Leen           |        |
| D538,457 S   | 3/2007  | Kovacik et al. |        |
| D567,978 S * | 4/2008  | Jianwei        | D26/42 |
| D596,326 S * | 7/2009  | Jiang          | D26/42 |
| D597,692 S * | 8/2009  | Jiang          | D26/42 |
| D626,672 S * | 11/2010 | De Rubertis    | D26/38 |
| D648,054 S * | 11/2011 | Zhuang         | D26/37 |
| D661,417 S * | 6/2012  | Kung           | D26/42 |
| D672,894 S * | 12/2012 | Bayat          | D26/42 |
| D691,310 S * | 10/2013 | Zhou           | D26/37 |
| D694,446 S * | 11/2013 | Zhou           | D26/42 |
| D698,959 S * | 2/2014  | Shen           | D26/46 |
| D711,027 S * | 8/2014  | Kovacik        | D26/37 |
| D722,717 S * | 2/2015  | Wang           | D26/51 |
| D724,246 S * | 3/2015  | Hong           | D26/37 |
| D750,303 S * | 2/2016  | Levy           | D26/37 |
| D757,971 S * | 5/2016  | Kovacik        | D26/37 |
| D757,972 S * | 5/2016  | Caito          | D26/42 |

\* cited by examiner

*Primary Examiner* — Lakiya Rogers  
*Assistant Examiner* — Carissa C Fitts  
 (74) *Attorney, Agent, or Firm* — Shumaker Loop & Kendrick; William J. Clemens

(57) **CLAIM**

The ornamental design for a task light, as shown.

**DESCRIPTION**

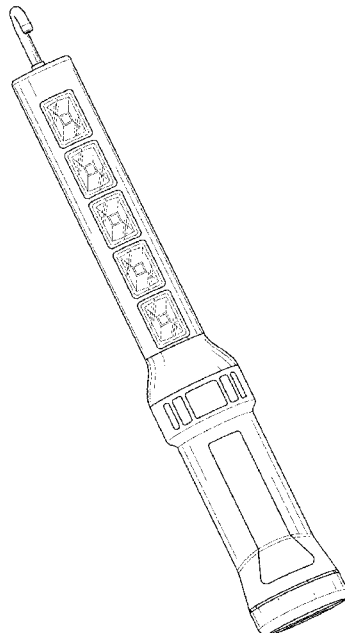
FIG. 1 is a front perspective view of a task light showing our new design;  
 FIG. 2 is a rear perspective view thereof;  
 FIG. 3 is a front elevation view thereof;  
 FIG. 4 is a rear elevation view thereof; and,  
 FIG. 5 is a right side elevation view thereof, the left side elevation view being a mirror image.

**1 Claim, 3 Drawing Sheets**

(56) **References Cited**

U.S. PATENT DOCUMENTS

|              |        |         |        |
|--------------|--------|---------|--------|
| D367,123 S   | 2/1996 | Blye    |        |
| 5,528,477 A  | 6/1996 | Carmo   |        |
| D439,354 S   | 3/2001 | Yuen    |        |
| D502,276 S * | 2/2005 | Kovacik | D26/44 |



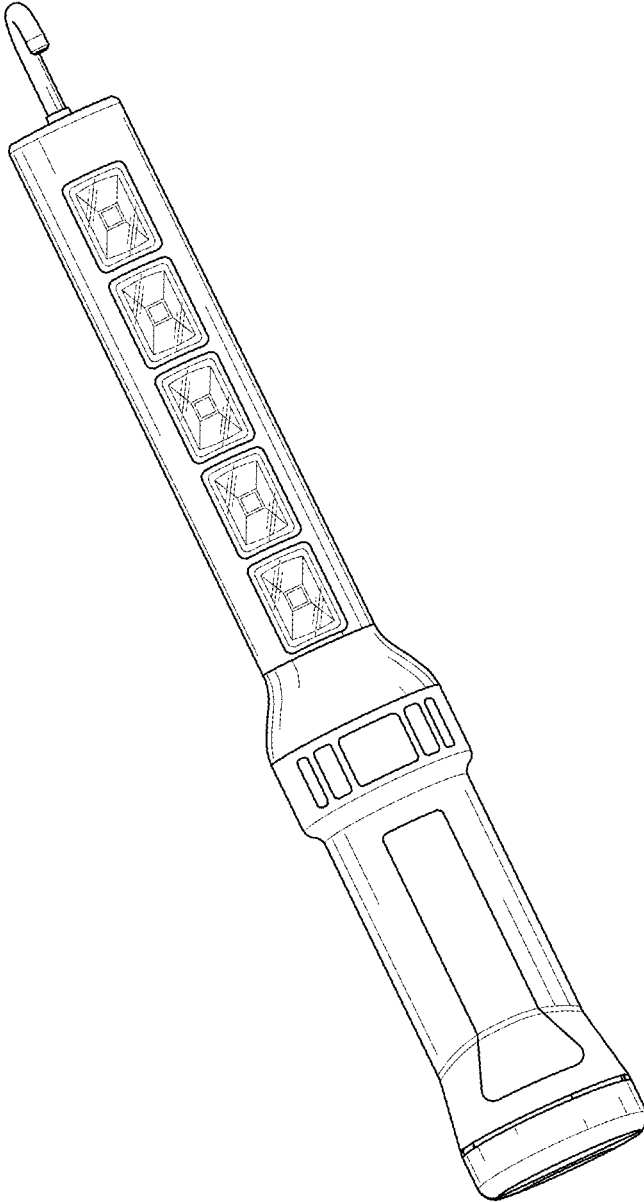


FIG. 1

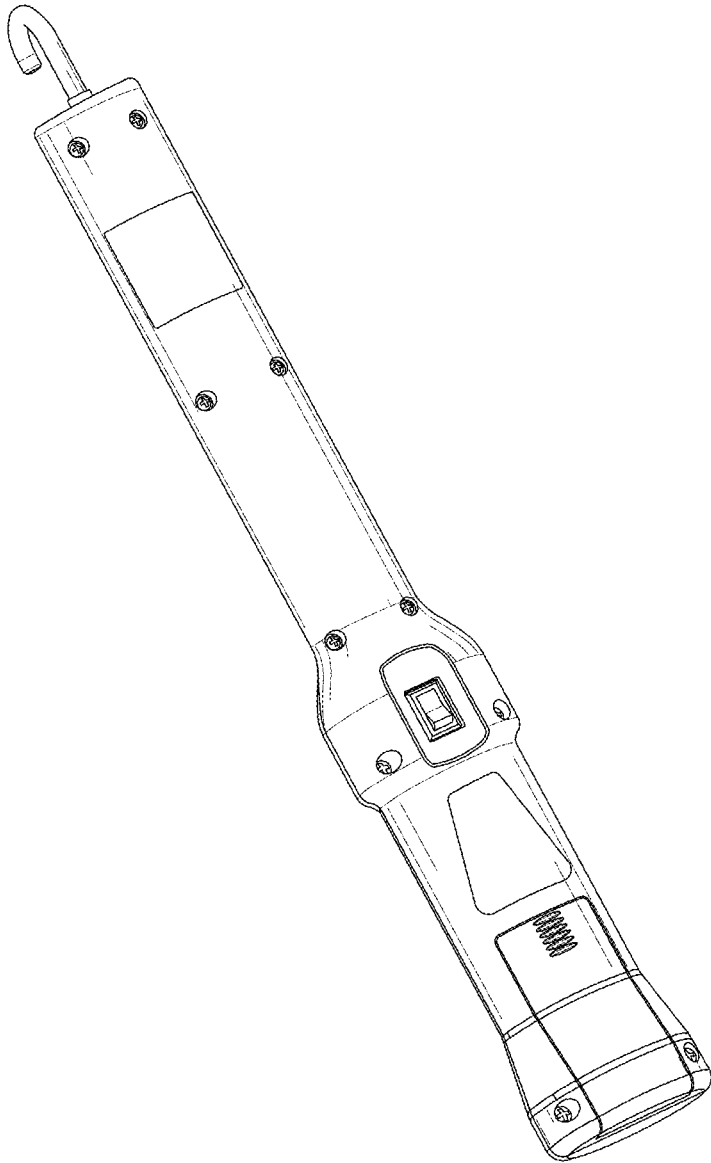


FIG. 2

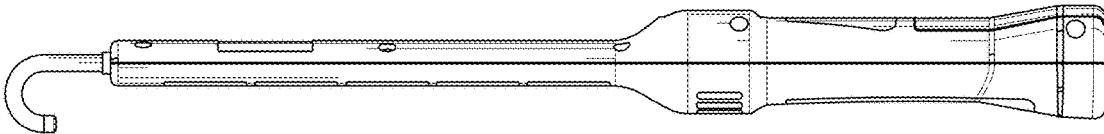


FIG. 5

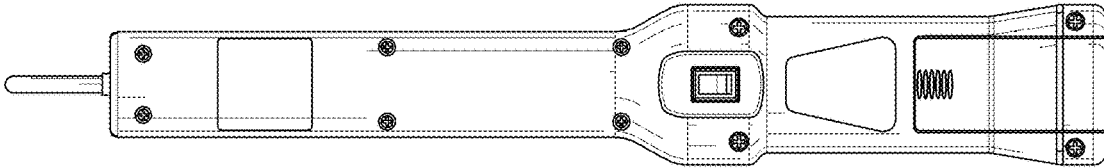


FIG. 4

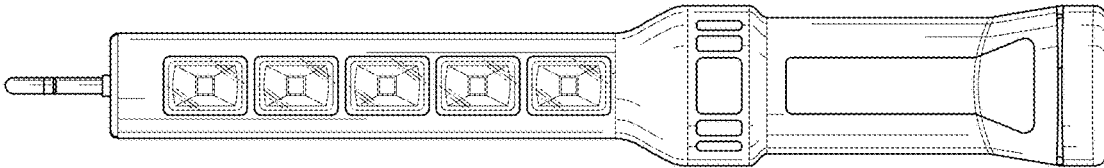


FIG. 3