



US00D954185S

(12) **United States Design Patent**
Lazarini

(10) **Patent No.:** **US D954,185 S**

(45) **Date of Patent:** **** Jun. 7, 2022**

(54) **FAUCET**

(71) Applicant: **DELTA FAUCET COMPANY,**
Indianapolis, IN (US)

(72) Inventor: **Alejandra Lazarini,** Carmel, IN (US)

(73) Assignee: **DELTA FAUCET COMPANY,**
Indianapolis, IN (US)

(**) Term: **15 Years**

(21) Appl. No.: **29/732,827**

(22) Filed: **Apr. 28, 2020**

(51) **LOC (13) Cl.** **23-01**

(52) **U.S. Cl.**
USPC **D23/238**

(58) **Field of Classification Search**

USPC D23/257, 249, 254, 259, 255, 233, 234,
D23/235, 236, 237, 238, 240, 241, 242,
D23/243, 244, 245, 246, 247, 248, 250,
D23/251, 252, 253, 256
CPC E03C 1/01; E03C 1/0409; E03C 1/025;
E03C 1/0408; E03C 1/04; E03C 1/0401;
E03C 1/0402; E03C 1/0405; E03C
1/0412; Y10T 137/5339; Y10T 137/6014;
Y10T 137/6021

See application file for complete search history.

(56) **References Cited**

U.S. PATENT DOCUMENTS

D466,977 S *	12/2002	Cummings	D23/238
D513,791 S *	1/2006	Kosasih	D23/252
D522,102 S *	5/2006	Fritz	D23/252
D572,798 S *	7/2008	Bickler	D23/238
D644,301 S *	8/2011	Flowers	D23/238
D654,568 S *	2/2012	Yu	D23/238
D666,277 S *	8/2012	Schaefer	D23/252
D684,666 S *	6/2013	Lord	D23/238
D694,366 S *	11/2013	Hahn	D23/238
D767,724 S *	9/2016	Flowers	D23/238

D787,645 S *	5/2017	Kirar	D23/257
D800,269 S *	10/2017	Garland	D23/252
D802,101 S *	11/2017	Kirar	D23/257
D803,359 S *	11/2017	Schoenherr	D23/242
D823,987 S *	7/2018	Downey	D23/238
D828,908 S *	9/2018	Merki	D23/238
D832,404 S *	10/2018	Thakur	D23/255
D840,506 S *	2/2019	Garland	D23/238

(Continued)

FOREIGN PATENT DOCUMENTS

CN	201030254749	*	7/2010
CN	201030296799	*	8/2010

OTHER PUBLICATIONS

Amazon, Gappo Monobloc Basin Mixer Tap, posted May 19, 2019, [online], [visited Aug. 28, 2021]. Internet, <URL: <https://www.amazon.co.uk/GAPPO-Monobloc-Stainless-Single-Bathroom/dp/B07S3RY8FB/ref>> (Year: 2019).*

(Continued)

Primary Examiner — Samantha Wood

(74) *Attorney, Agent, or Firm* — Nirav D. Parikh; Edgar A. Zarins

(57)

CLAIM

The ornamental design for a faucet, as shown and described.

DESCRIPTION

FIG. 1 is a front perspective view of a faucet showing my new design;

FIG. 2 is a rear perspective view thereof;

FIG. 3 is a front elevational view thereof;

FIG. 4 is a left side view thereof;

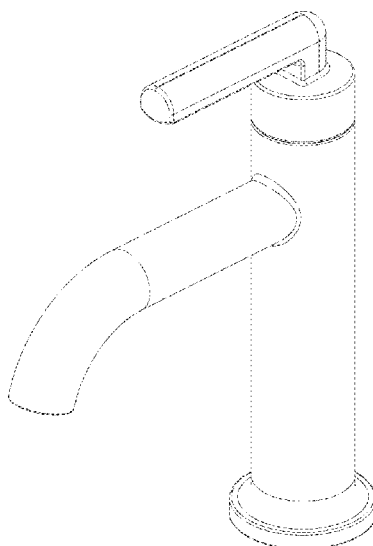
FIG. 5 is a rear view thereof;

FIG. 6 is a right side view thereof;

FIG. 7 is a top plan view thereof; and

FIG. 8 is a bottom view thereof.

1 Claim, 4 Drawing Sheets



(56)

References Cited

U.S. PATENT DOCUMENTS

D855,762 S * 8/2019 Stuart D23/238
D862,649 S * 10/2019 Meyers D23/238
D869,613 S * 12/2019 Garland D23/242
2014/0224362 A1 * 8/2014 Shih E03C 1/0404
137/625.4

OTHER PUBLICATIONS

Amazon, Hapilife Bathroom Sink Single Lever, posted Sep. 18, 2013, [online], [visited Aug. 28, 2021]. Internet, <URL: <https://www.amazon.co.uk/Hapilife-Bathroom-Washroom-Single-Chrome/dp/B00F9Q7DU0/ref>> (Year: 2013).*

Amazon, Funime Basin Taps Single Lever, posted Sep. 16, 2017, [online], [visited Aug. 28, 2021]. Internet, <URL: <https://www.amazon.co.uk/Funime-Single-Bathroom-Standard-Fittings/dp/B075YRVMVZ/ref>> (Year: 2017).*

* cited by examiner

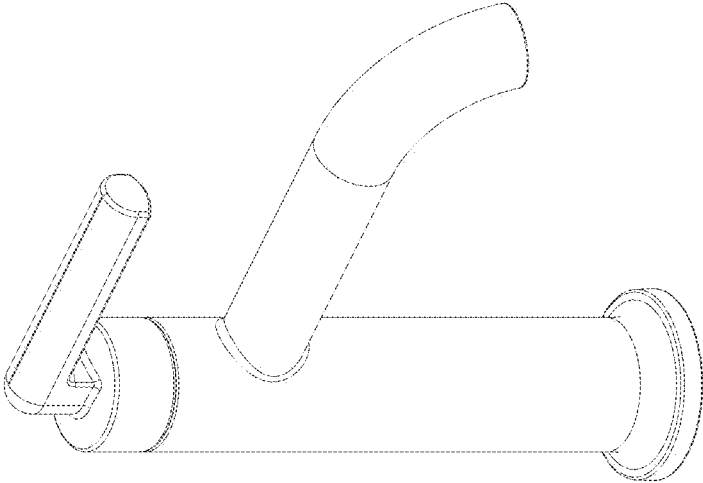


FIG-2

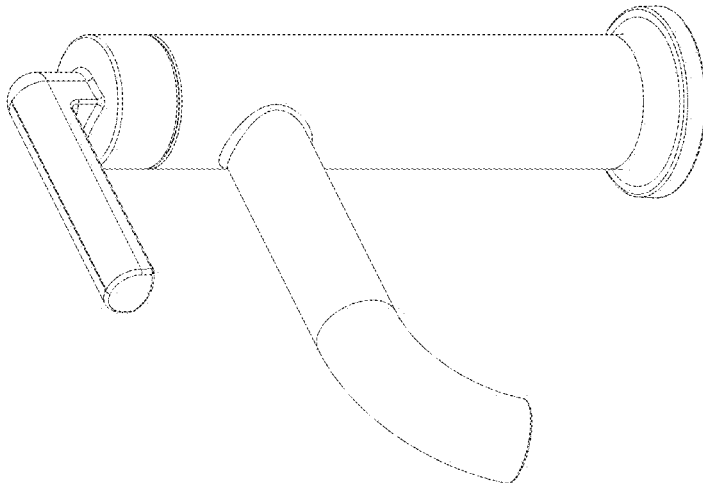


FIG-1

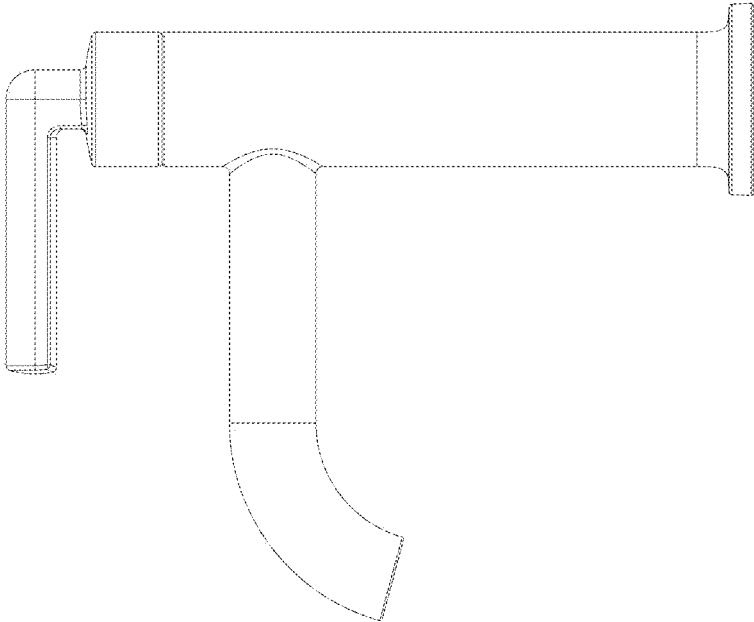


FIG-4

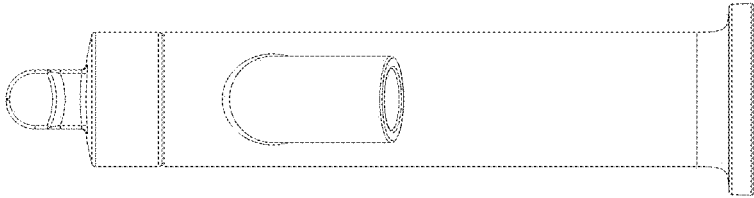


FIG-3

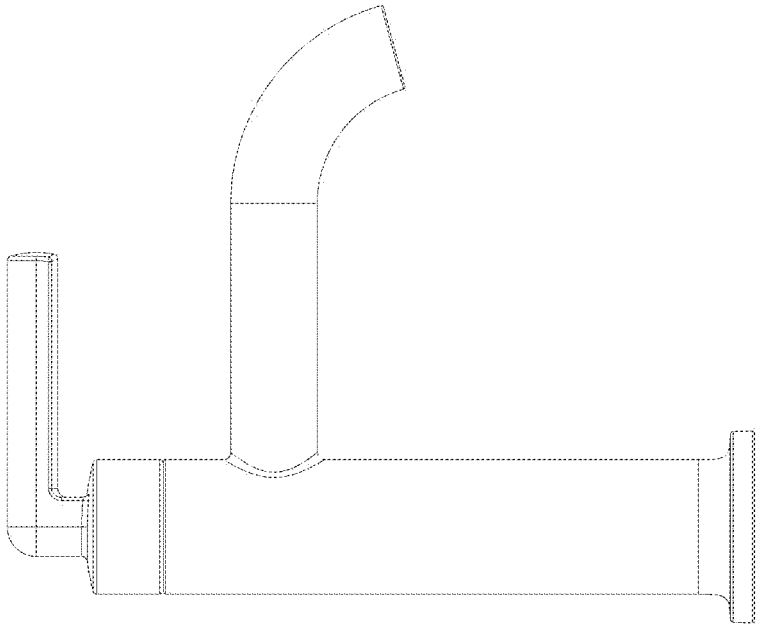


FIG-6

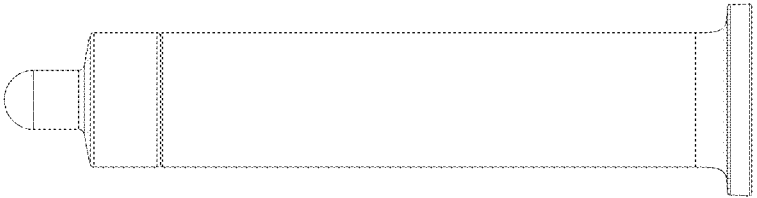


FIG-5



FIG. 8

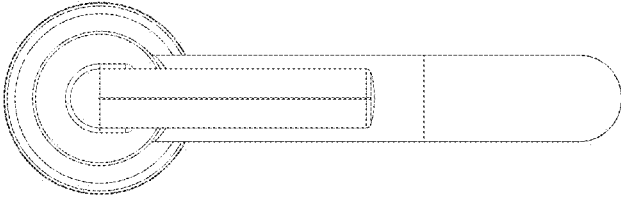


FIG. 7